

4

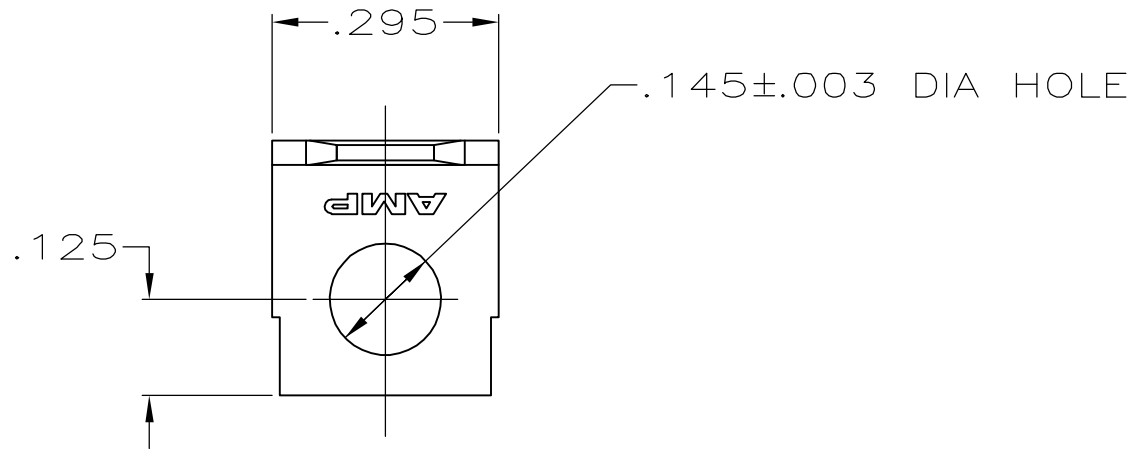
3

2

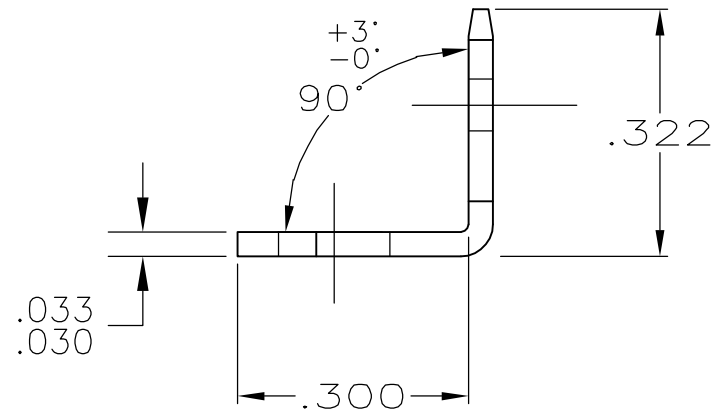
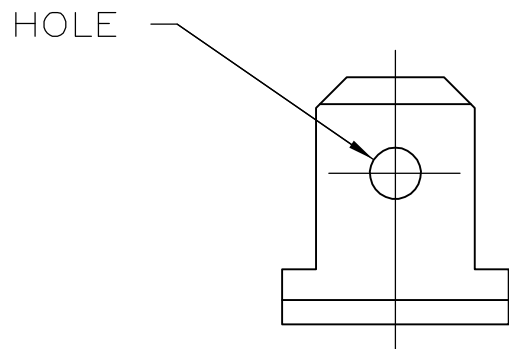
1

THIS DRAWING IS UNPUBLISHED. RELEASED FOR PUBLICATION  
© COPYRIGHT - BY TYCO ELECTRONICS CORPORATION. ALL RIGHTS RESERVED.

LOC	DIST	REVISIONS					
AF	50	P	LTR	DESCRIPTION	DATE	DWN	APVD
		B		REV PER ECR-05-017287	10APR06	HMR	JR



1 SUPPLIED IN LOOSE PIECE.



62168-1  
PART NO.

THIS DRAWING IS A CONTROLLED DOCUMENT.		DWN	JR RUTH	1/9/97		Tyco Electronics Corporation			
DIMENSIONS: INCHES		CHK	MS FEHER	1/9/97		Harrisburg, PA 17105-3608			
		APVD	P DESANTIS	1/9/97		NAME			
TOLERANCES UNLESS OTHERWISE SPECIFIED:		PRODUCT SPEC		TAB, FASTON, .205 SERIES					
0 PLC ± - 1 PLC ± - 2 PLC ± - 3 PLC ± .015 4 PLC ± - ANGLES ± -		APPLICATION SPEC		SIZE		CAGE CODE	DRAWING NO	RESTRICTED TO	
MATERIAL		WEIGHT		A3		00779	C-62168	-	
082 BRASS		FINISH		CUSTOMER DRAWING		SCALE	4:1	SHEET 1 OF 1	REV B