

# DIN rail mounting frame - HC-CIF-B16-HFWL-PL - 1424336

Please be informed that the data shown in this PDF Document is generated from our Online Catalog. Please find the complete data in the user's documentation. Our General Terms of Use for Downloads are valid (<http://phoenixcontact.com/download>)



HEAVYCON DIN rail mounting frame, for type B16 contact inserts



## Key Commercial Data

Packing unit	1 STK
GTIN	
GTIN	4055626370743

## Technical data

### Dimensions

Length	144 mm
Width	42 mm
Height	61 mm

### Ambient conditions

Ambient temperature (operation)	-40 °C ... 125 °C
---------------------------------	-------------------

### General

Size	B16
Material	PC
Flammability rating according to UL 94	V0
Color	traffic grey
Note	for B16, BB32, DD72, HS6, HV6 contact inserts and B16 module frame

### Standards and Regulations

Flammability rating according to UL 94	V0
--	----

### Environmental Product Compliance

REACH SVHC	Lead 7439-92-1
China RoHS	Environmentally Friendly Use Period = 50

# DIN rail mounting frame - HC-CIF-B16-HFWL-PL - 1424336

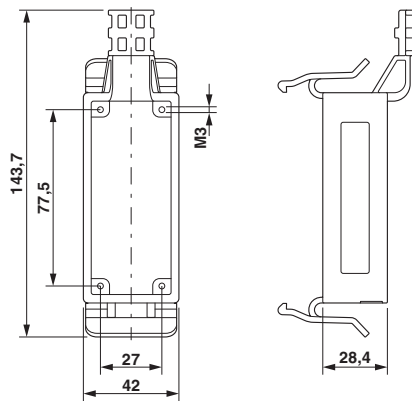
## Technical data

### Environmental Product Compliance

	For details about hazardous substances go to tab "Downloads", Category "Manufacturer's declaration"
--	---

## Drawings

Dimensional drawing



### Dimensional drawing

## Approvals

### Approvals

---

### Approvals

EAC

---

### Ex Approvals

---

### Approval details

EAC		EAC-Zulassung
-----	--	---------------

Phoenix Contact 2018 © - all rights reserved  
<http://www.phoenixcontact.com>

PHOENIX CONTACT GmbH & Co. KG  
Flachsmarktstr. 8  
32825 Blomberg  
Germany  
Tel. +49 5235 300  
Fax +49 5235 3 41200  
<http://www.phoenixcontact.com>