

## General Specifications

### Motor Protection:

Auto Restart

### Insulation Resistance:

10M Ω or over with a DC500V Megger

### Dielectric Withstand Voltage: AC 700V 1s

### Allowable Ambient Temperature Range:

J Class: -10°C ~ +70°C (Operating)

K Class: -10°C ~ +60°C (Operating)

All Class: -40°C ~ +70°C (Storage)  
(non-condensing environment)

## Expected Life

25°C 100,000 Hours (L10)

## Material

Casing : Plastic (Black) UL94V-0

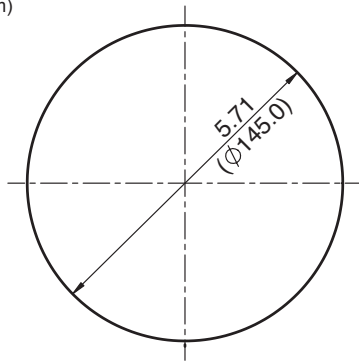
Impeller : Plastic (Black) UL94V-0

Bearing : Ball Bearing

Lead Wire : UL1007, AWG24, +Red, -Black

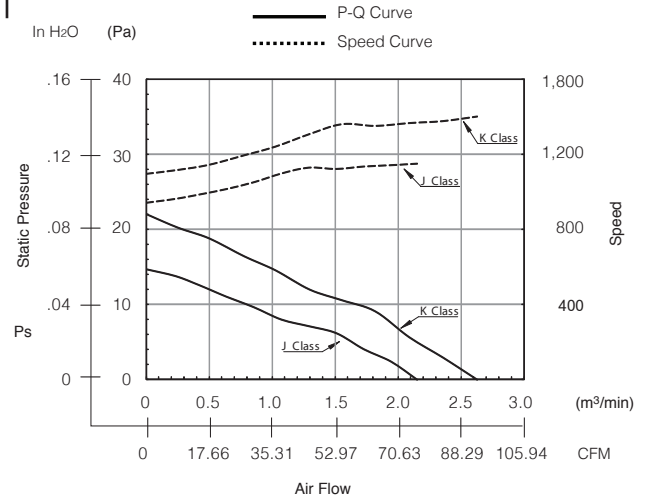
## Panel Cut-Outs

Units:  $\frac{\text{inch}}{\text{mm}}$

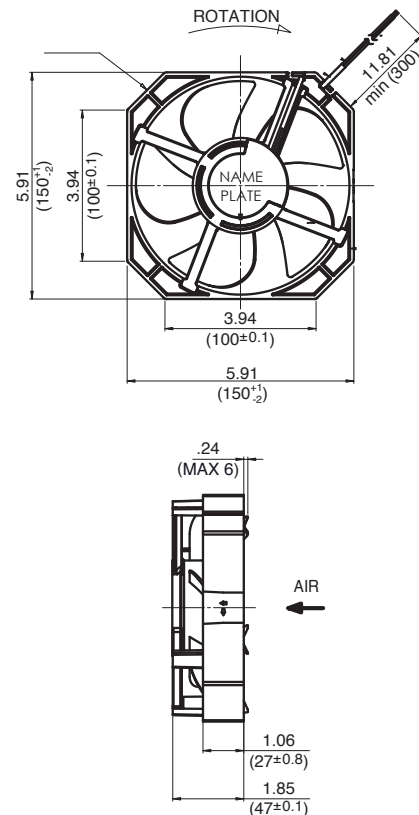


INLET SIDE

## Characteristic Curves



## Outline



## Specifications

MODEL	Rated Voltage	Operating Voltage	Current	Input Power	Speed	Max. Air Flow		Max. Static Pressure		Noise	Mass
	(V)	(V)	(A) <sup>*1</sup>	(W) <sup>*1</sup>	(min <sup>-1</sup> ) <sup>*1</sup>	CFM <sup>-1</sup>	(m³/min) <sup>-1</sup>	in H <sub>2</sub> O	(Pa) <sup>-1</sup>	(dB) <sup>-1</sup>	(g)
15047JA-12J-YA-00	12	8.0 ~ 13.8	0.12	1.44	1150	75.93	2.15	.06	14.6	25.5	315
15047JA-12K-YA-00	12	8.0 ~ 13.8	0.19	2.28	1400	91.82	2.60	.09	21.5	32.0	315

Rotation: Clockwise

Airflow Outlet: Air Out Over Struts

\*1: Average Values in Free Air

Note: PWM/Locked Rotor/Tach Available