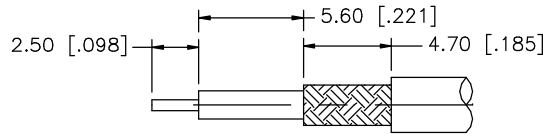
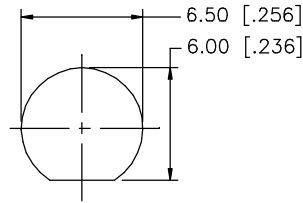


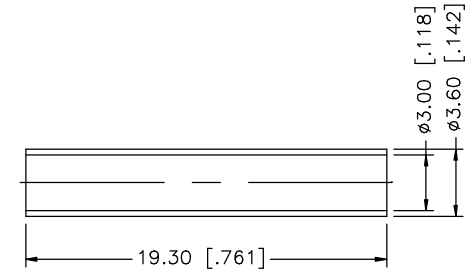
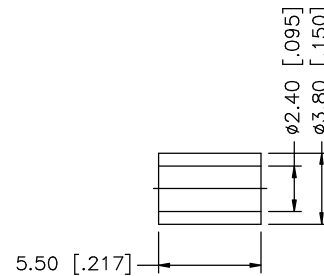
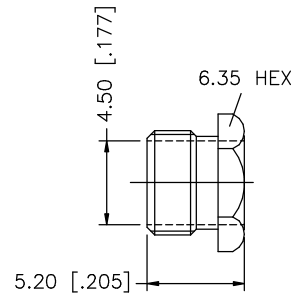
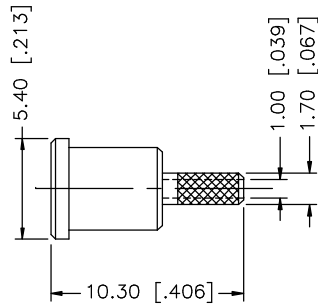
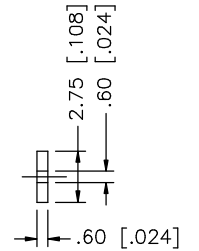
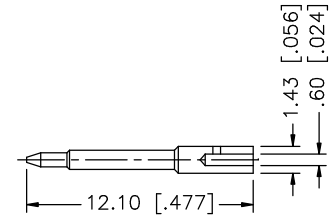
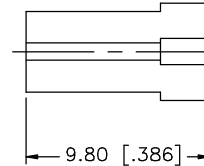
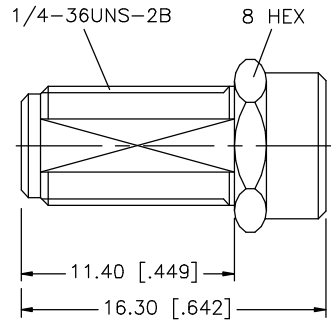
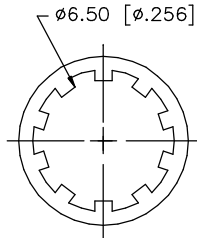
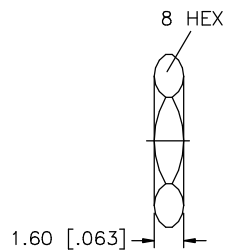
REV.	DATE	DESCRIPTION
NC	04/20/99	INITIAL RELEASE
A	06/11/03	UPDATE DRAWING FORMAT/ADD MOUNTING HOLE DIMS.



RECOMMENDED
CABLE STRIPPING DIM'S



RECOMMENDED MOUNTING
HOLE DIMENSIONS



8				
7	HEAT SHRINK			
6	FERRULE	COPPER	GOLD	1
5	HEX NUT	BRASS	GOLD	1
4	BARREL	BRASS	GOLD	1
3	CONTACT PIN	BER. COPPER	GOLD	1
2	INSULATOR	TEFLON	NATURAL	1
1	HOUSING/BODY	BRASS	GOLD	1
	DESCRIPTION	MATERIAL	FINISH	QTY

UNLESS OTHERWISE SPECIFIED DIMENSIONS ARE IN MILLIMETERS. DIMENSIONS IN [] ARE IN INCHES AND FOR CUSTOMER REFERENCE ONLY.

UNLESS OTHERWISE SPECIFIED TOLERANCES FOR MILLIMETERS ARE:
0.5 - 8mm ± 0.20mm
8 - 30mm ± 0.40mm
30 - 120mm ± 0.50mm

UNLESS OTHERWISE SPECIFIED TOLERANCES FOR INCHES ARE:
.020 - .315 = ± 0.007"
.315 - 1.180 = ± 0.015"
1.180 - 4.724 = ± 0.020"

DO NOT SCALE DRAWING

APPROVALS	DATE
DRAWN G.R.S.	06/11/03
CHECKED	
ISSUED	
SHEET 1 OF 1	
CAD FILE C:/132/132220RP.DWG	

Amphenol Connex

PART DESCRIPTION
**SMA REVERSE POLARIZED BULKHEAD
CRIMP JACK (FOR RG-178B/U, 196A/U CABLE)**

PART NO. **132220RP**

DWG. NO.	REV.	SIZE	SCALE
132220RP.DWG	A	A	NA