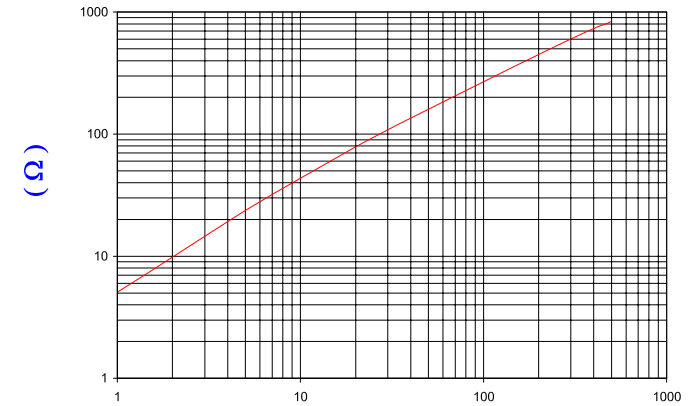
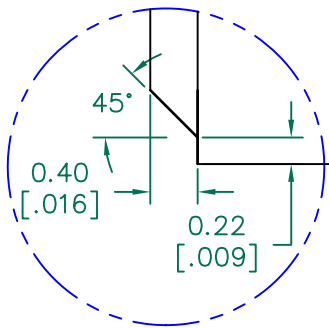


IMPEDANCE ( Z )			
Frequency	25 MHz	100 MHz	300 MHz
Nominal (REF)	100 Ω	280 Ω	590 Ω
Minimum	- Ω	224 Ω	- Ω

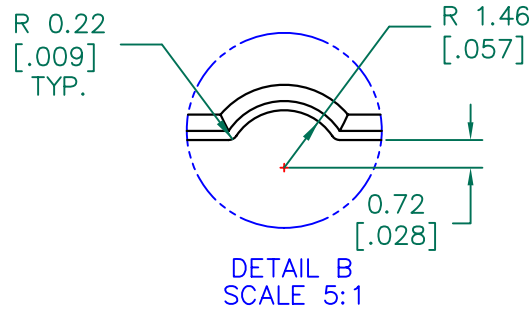
Z vs. FREQUENCY  
(REF. ONLY)



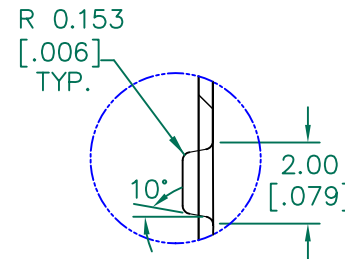
FREQUENCY (MHz)  
AGILENT E4991A Impedance/Material Analyzer  
HP 16092A-Test Fixture



DETAIL A  
SCALE 13:1



DETAIL B  
SCALE 5:1



DETAIL C  
SCALE 4.5:1

FERRITE CORE DIMENSIONS (SPEC): mm [in]

A	63.50 [2.500]	+	1.27 [0.050]
B	52.07 [2.050]	+	1.02 [0.040]
C	28.58 [1.125]	+	0.64 [0.025]
D	6.35 [0.250]	+	0.25 [0.010]
E	0.84 [0.033]	+	0.25 [0.010]
F	7.62 [0.300]	+	0.18 [0.007]
G	31.75 [1.250]	+	0.76 [0.030]
H	2.74 [0.108]	+	0.25 [0.010]
J	0.86 [0.034]	+	0.25 [0.010]

WEIGHT/1000 50.13 kgs 110.53 Lbs

**UNCONTROLLED  
DOCUMENT**

DIMENSIONS ARE IN mm[INCHES].				This print is the property of Laird Tech. and is loaned in confidence subject to return upon request and with the understanding that no copies shall be made without the written consent of Laird Tech. All rights to design or invention are reserved.			Laird TECHNOLOGIES	
J	CHANGE DETAIL C	07/09/10	JUN	PROJECT/PART NUMBER:		REV	PART TYPE:	DRAWN BY:
H	UPDATE LOGO CHANGE DIMPLE DESIGN UPDATE C DETAILS	10/16/08	JRK	28S2001-000		J	FERRITE SPLIT RIBBON	LNK
G	UPDATE PRINT FORMAT & Z SPECS ADD CURVE	07/09/03	JRK	DATE:	03/30/96	SCALE:	1.5 : 1	MATERIAL:
F	UPDATE PRINT FOR ELECTRONIC DATABASE CHG. RAD ".120" TO DIA. ".120" CORR. Z MIN @100 FROM 193 TO 189	10/30/00	JAJ	CAD #	28S2001-000-J	TOOL #	S2001	Ferrite
E	"E" TOLERANCE WAS ".007(0.18)"	01/30/97	BAC					
D	ADD .120 φ INDENTION, UPDATED Z SPEC & ADD DIMS "F", "G", "H", & "J".	12/18/96	BAC					
C	TOOL CHANGE TO FIT CASE	10/10/96	BAC					
REV	DESCRIPTION	DATE	INT					