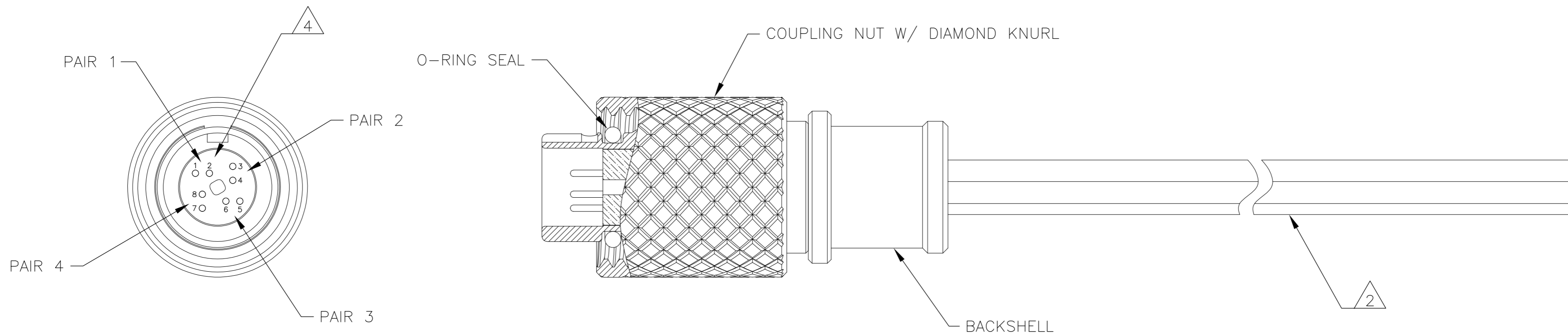
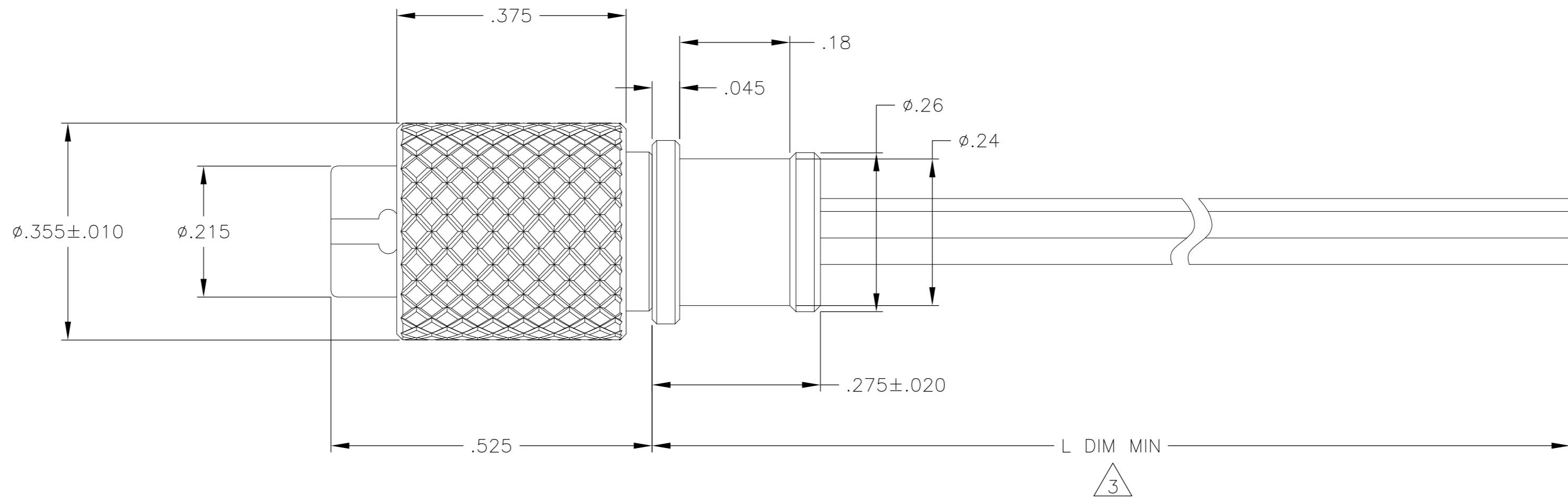


THIS DRAWING IS UNPUBLISHED. RELEASED FOR PUBLICATION
 © COPYRIGHT - By - ALL RIGHTS RESERVED.

LOC		DIST		REVISIONS			
P	LTR	DESCRIPTION	DATE	DWN	APVD		
	A	PRODUCTION RELEASE PER ECO-13-014747	9-18-13	CT	RL		



- 1 CONNECTOR BODY, COUPLING NUT, AND BACKSHELL MATERIAL: 6061-T6 ALUMINUM, ELECTROLESS NICKEL PLATED PER SAE-AMS-C-26074 OR SAE-AMS-2404
- LOCKING RING MATERIAL: BERYLLIUM COPPER, ELECTROLESS NICKEL PLATED PER SAE-AMS-C-26074 OR SAE-AMS-2404
- INSULATOR MATERIAL: LIQUID CRYSTAL POLYMER (LCP) PER ASTM D5138
- O-RING MATERIAL: FLUOROSILICONE PER SAE-AMS-R-25988

2 TERMINATED WITH MADISON CABLE 30 AWG 10G TURBO TWIN PAIR

3 CABLE LENGTH IS AS INDICATED IN THE CORRESPONDING NANONICS PART NUMBER

4 CAVITY POSITIONS ARE SHOWN FOR REFERENCE ONLY AND ARE NOT MARKED ON THE PART

5 BONDING RESISTANCE OF CONNECTOR BODY TO BACKSHELL SHALL BE 25 MILLIOHMS MAXIMUM

6 LUBRICATE O-RING WITH PARKER SUPER-O-LUBE PRIOR TO INSTALLATION

7 REFERENCE TE PRODUCT SPECIFICATION 108-32048 FOR PRODUCT DETAILS AND PERFORMANCE

THIS DRAWING IS A CONTROLLED DOCUMENT.		DWN	M STORRY	29 MAR 11		TE Connectivity		
		CHK	M STORRY	29 MAR 11		NAME		
		APVD	M STORRY	30 JUL 12		PLUG ASSEMBLY, CIRCULAR, THREADED COUPLING, STRAIGHT BACKSHELL, METAL, 8 POSITION, 10GbE, CeeLok FAS-T Nano Circular		
		PRODUCT SPEC				SIZE	CAGE CODE	DRAWING NO
DIMENSIONS: INCHES		TOLERANCES UNLESS OTHERWISE SPECIFIED:		APPLICATION SPEC		RESTRICTED TO		
		0 PLC	± -	WEIGHT		A2		
		1 PLC	± -	-		OJPN9		
		2 PLC	± .010	-		C=1925252		
		3 PLC	± .005	-		SCALE 6:1		
		4 PLC	± -	-		SHEET 1 of 1		
		ANGLES	± 1°	-		REV A		
MATERIAL SEE NOTES		FINISH SEE NOTES		CUSTOMER DRAWING				