



TELECOMMUNICATION MODEM COUPLING TRANSFORMER COMPATIBLE WITH V.90 TECHNOLOGIES

REV. Status

REVISION -
12/10/01 MP

REVISION A
CHANGED
DIMENSIONS
03/10/04 MP

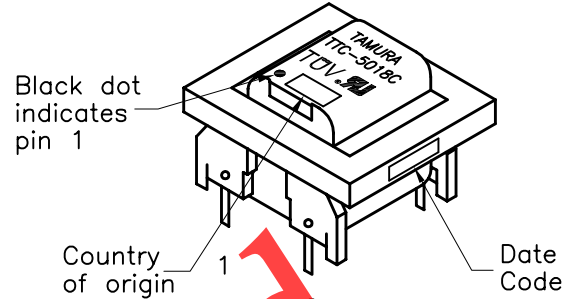
REVISION B
ADDED "C"
CLASS TO
MARKING NOTE
05/16/06 MP

- A. Electrical Specifications (@ 25°C)
- Pri Source Impedance; 600Ω
 - Sec Load Impedance; 600Ω
 - Insertion Loss;
0.75dB MAX @ 1KHz, 0dBm
 - Frequency Response (relative to 1KHz)
±0.50dB @ 200Hz to 4KHz, 0dBm
 - Longitudinal Balance;
60dB MIN @ 200Hz to 1KHz
40dB MIN @ 1KHz to 4KHz
 - Return Loss; 20dB MIN @ 1KHz, 0dBm
 - DC Resistance;
(1-2) = 25Ω ±10%
(3-4) = 21Ω ±10%
 - Turns Ratio; (1-2):(4-3) = 1:1.00±2%
 - Dielectric Strength;
1875Vrms 1 second Pri to Sec
 - Total Harmonic Distortion;
-70dB MAX @ 600Hz, -10dBm (-76dB TYP)



MODEL NUMBER

TTC-5018

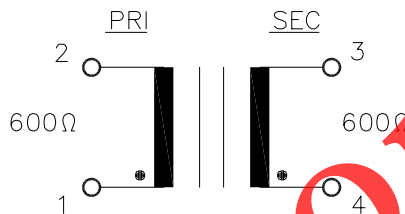


- B. Marking; TTC-5018C, TAMURA, date code and country of origin.
"C" designates UL approved family classification.

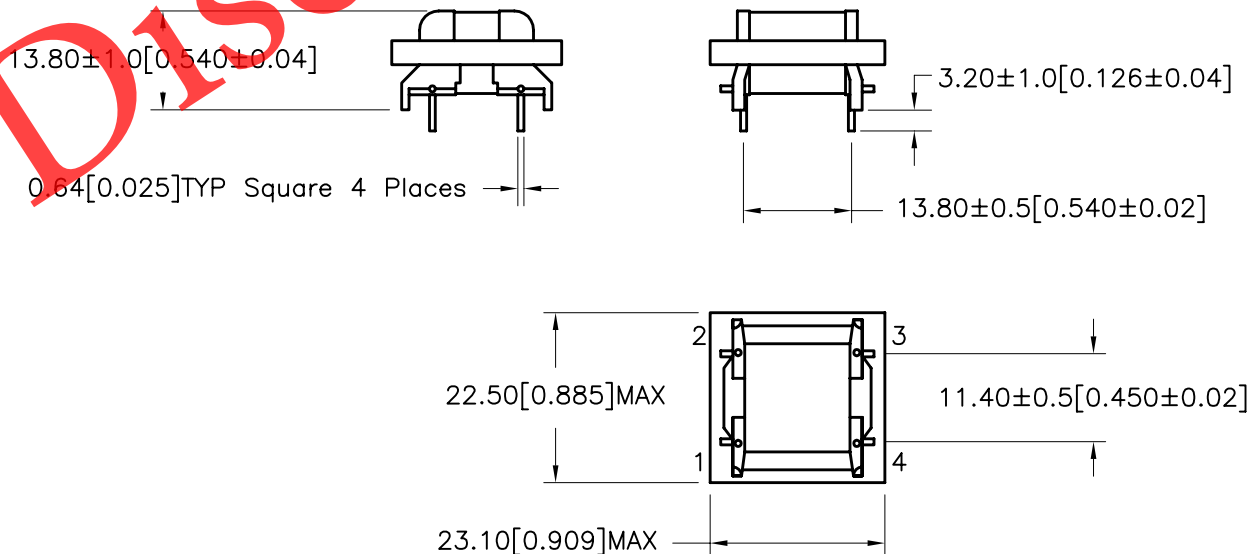
- C. Safety: UL 1950 3rd Edition, UL60950, EN60950



- D. Schematic Diagram



- E. Mechanical Specifications



PREPARED BY:

K. BRENNAN

ENGINEER:

M. PITCHAI

QUALITY CONTROL:

T. CLEM

APPROVED:

Y. SEKIGUCHI

DWG CONTROL NO.
P-A1-12743
ACAD\TTC\A1127431.DWG

REV
B

MODEM COUPLING
TRANSFORMER

TTC-5018

MODEL SPECIFICATION

CONTENTS OF THIS DRAWING ARE
SUBJECT TO CHANGE WITHOUT
PRIOR NOTICE

TAMURA CORPORATION OF AMERICA
43352 BUSINESS PARK DRIVE, TEMECULA, CA. 92590-6624
(951) 699-1270 FAX 9516769482

DIM: mm [In] SCL: 1/1 SH: 1 OF 1

PROPRIETARY NOTICE: THIS DRAWING PRINT OR DOCUMENT AND SUBJECT MATTER DISCLOSED HEREIN ARE PROPRIETARY ITEMS TO WHICH TAMURA RETAINS THE EXCLUSIVE RIGHT OF DISSEMINATION, REPRODUCTION, MANUFACTURE AND SALE. THIS DRAWING, PRINT OR DOCUMENT IS SUBMITTED IN CONFIDENCE FOR CONSIDERATION BY THE RECIPIENT ALONE UNLESS PERMISSION FOR FURTHER DISCLOSURE IS EXPRESSLY GRANTED IN WRITING.