

DO NOT SCALE ALL DIMENSIONS ARE FOR REFERENCE ONLY

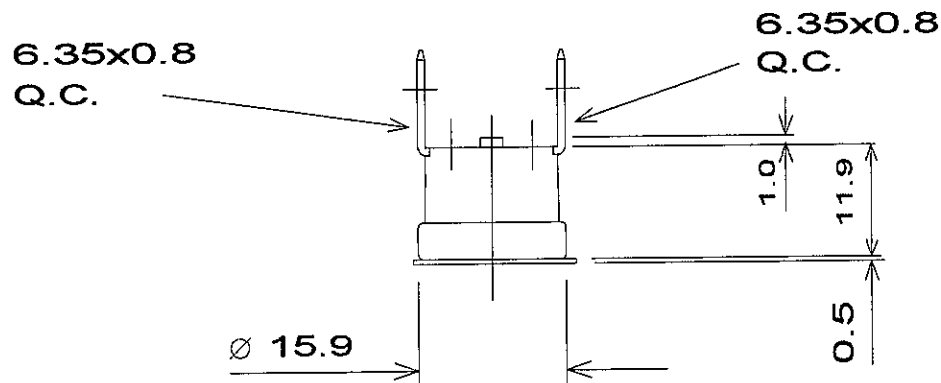
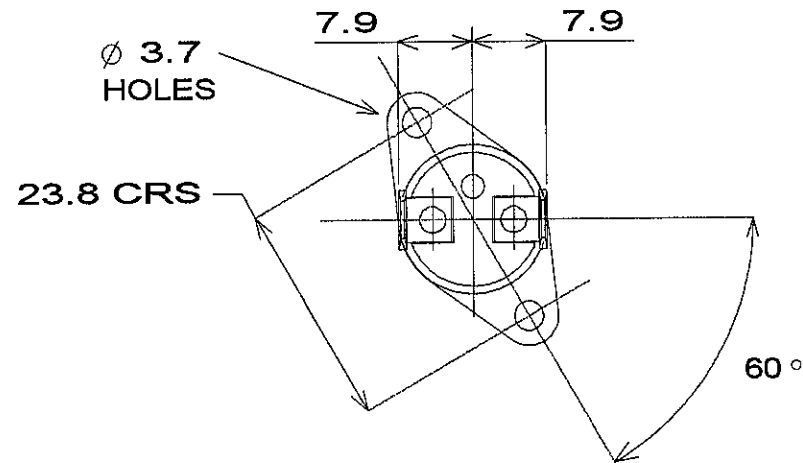
OPERATING CRITERIA

VOLTS; 30 DC AMPS; 5 HZ;

OPERATING TEMPS. DEG. C


OPEN; 60 ± 3

CLOSE; 75 ± 5



SEE CONCESSION
NUMBER 1657
(PIPPED BASE)

ISSUE	A	B							
MOD No	2137	3358							
MTH/YR	12/92	7/98							

CODING REQUIREMENTS COLOUR; LASER CODE F75C 82 712 XXX (XXX = DATE CODING)	CAP; MAT'L; BRKT; B201A13 MAT'L; ST/STEEL PLATING;	ELMWOOD DEVICE & UNIQUE PART No 2455R-82-712	ELMWOOD DRG No. 895222	ISSUE B
	TERMINAL; T147 T147 MATERIAL; BRASS BRASS PLATING;	 ELMWOOD SENSORS LTD	DATE OF ISSUE STAMP 