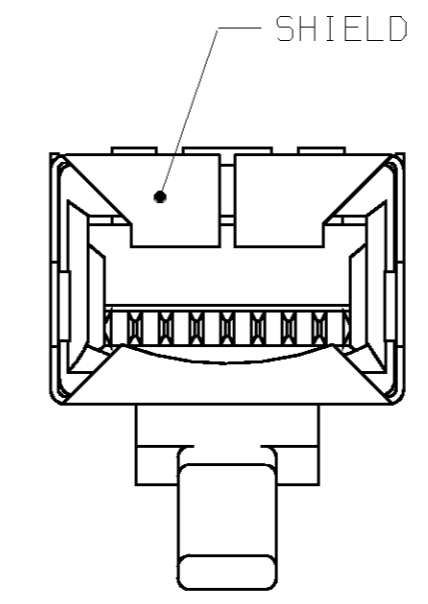
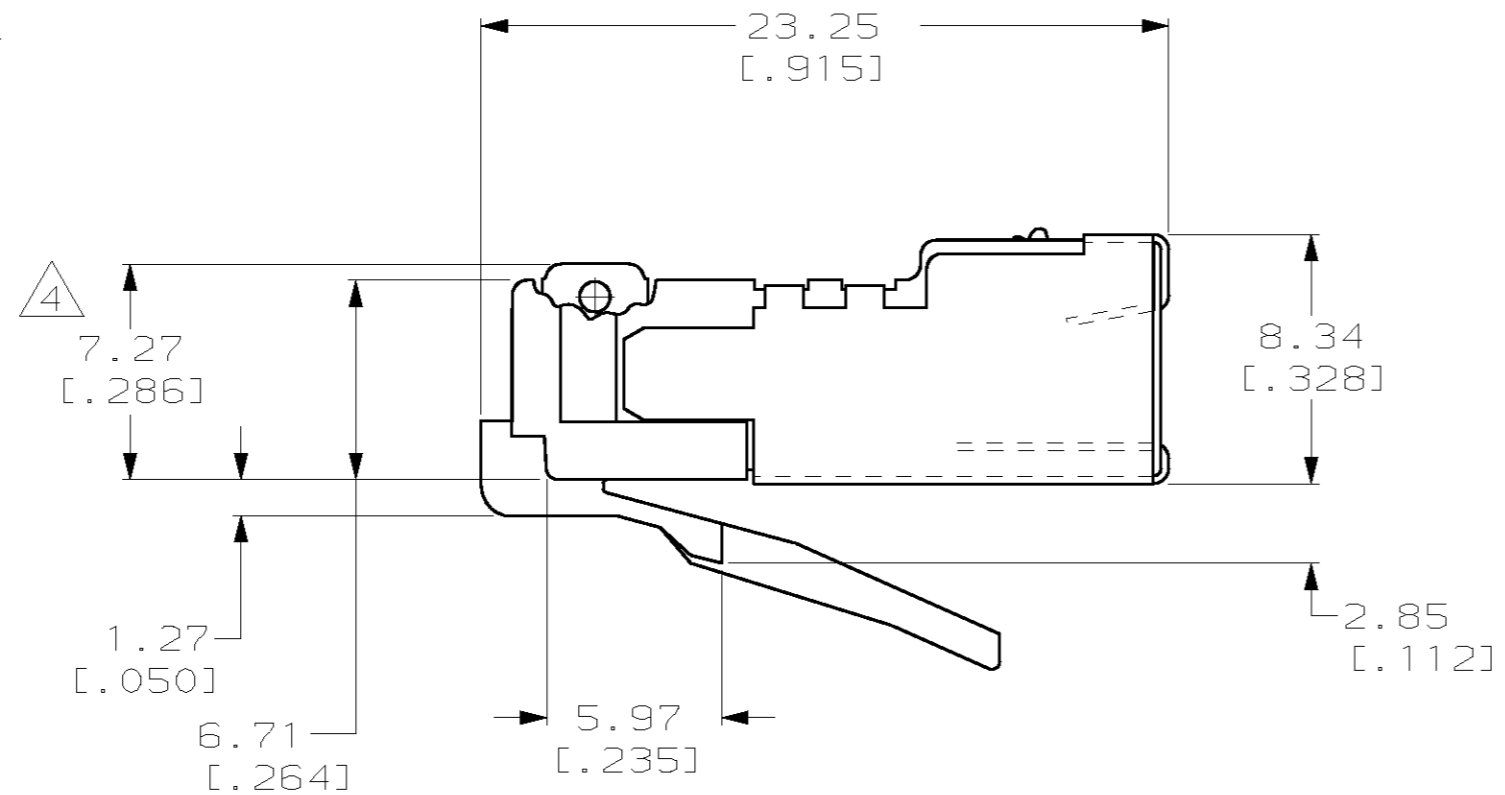
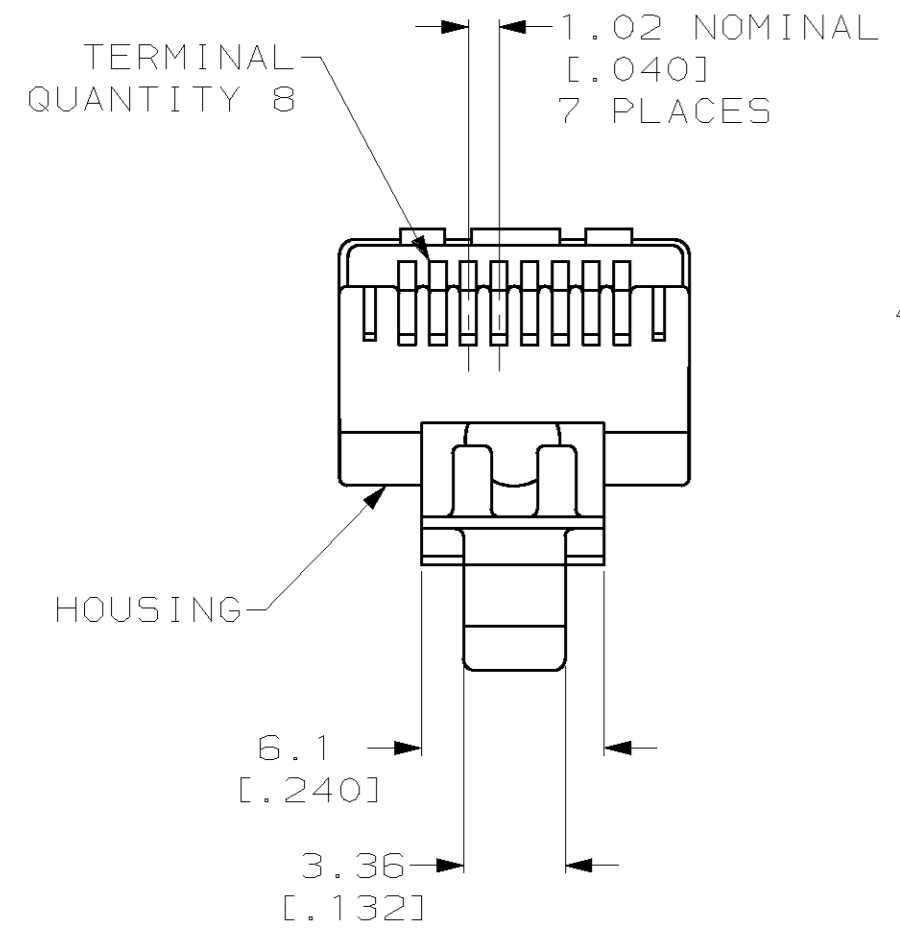
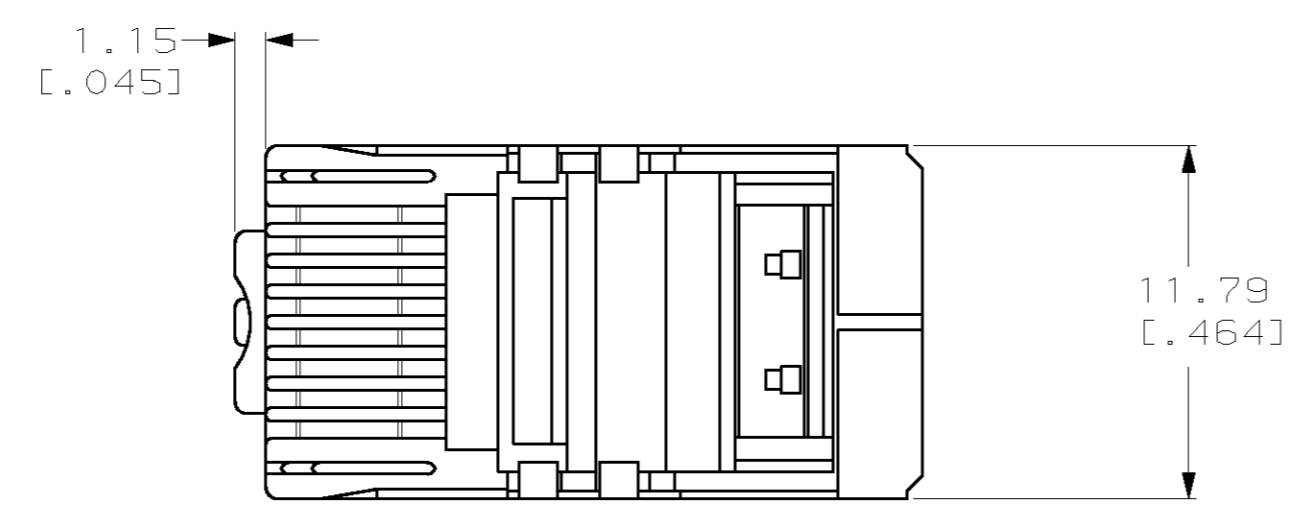


THIS DRAWING IS UNPUBLISHED. RELEASED FOR PUBLICATION .19
 (C) COPYRIGHT 19 BY AMP INCORPORATED. ALL RIGHTS RESERVED.

LOC	DIST	REVISIONS			
P	LTR	DESCRIPTION	DATE	DWN	APVD
AA	22	A	REVISED PER EC 0515-0123-03	11APR03	DLD/ECL

- ① DIMENSIONS ARE MAXIMUM UNLESS OTHERWISE SPECIFIED.
- ② MATERIAL: HOUSING - POLYCARBONATE, CLEAR
 TERMINAL - PHOSPHOR BRONZE, PLATED WITH 1.27µm [.000050] MINIMUM THICK GOLD IN LOCALIZED GOLD PLATE AREA, GOLD FLASH OVER THE REMAINDER, OVER 2.54µm [.000100] MINIMUM THICK NICKEL UNDERPLATE.
 SHIELD - COPPER ALLOY WITH 1.27µm [.000050] MINIMUM SEMI-BRIGHT (SATIN) NICKEL.
- 3. PLUG WILL ACCEPT 24 OR 26 AWG SOLID WIRE, 0.74-0.99 [.029-.039] DIAMETER, WITH A 5.08 [.200] DIAMETER MAXIMUM JACKET.
- ④ TERMINATED DIMENSION 6.15 [.242] MAXIMUM.
- ⑤ PACKAGED 500 ASSEMBLIES PER CARTON.
- ⑥ PACKAGED 100 ASSEMBLIES PER BOX.
- ⑦ PACKAGED 25 ASSEMBLIES PER POLYBAG.



LEAD FREE

⑦	5-569530-4
⑥	5-569530-3
⑤	5-569530-2
PACKAGED	PART NUMBER

THIS DRAWING IS A CONTROLLED DOCUMENT FOR AMP INCORPORATED. IT IS SUBJECT TO CHANGE AND THE CONTROLLING ENGINEERING ORGANIZATION SHOULD BE CONTACTED FOR THE LATEST REVISION.		DWN G. GARRETT 10-06-95	AMP Incorporated Harrisburg, PA 17105-3608	
DIMENSIONS: mm [INCHES]		CHK C. WHITT 10-30-95	NAME MODULAR PLUG ASSEMBLY, 8 POSITION, SHIELDED, ROUND CABLE, SOLID WIRE	
TOLERANCES UNLESS OTHERWISE SPECIFIED: 0 PLC ±- ① 1 PLC ±- 2 PLC ±- 3 PLC ±- 4 PLC ±- ANGLES ±- FINISH ②		APVD E. LAURER 11-6-95	PRODUCT SPEC 108-1163	SIZE A2
MATERIAL ②		APPLICATION SPEC 114-6016	CAGE CODE 00779	DRAWING NO C-569530
		WEIGHT -	SCALE 4:1	SHEET 1 OF 1
		CUSTOMER DRAWING	REV A	

569530