

# Customer Information Sheet

DRAWING No.: P70-2100045R

SHEET 2 OF 2

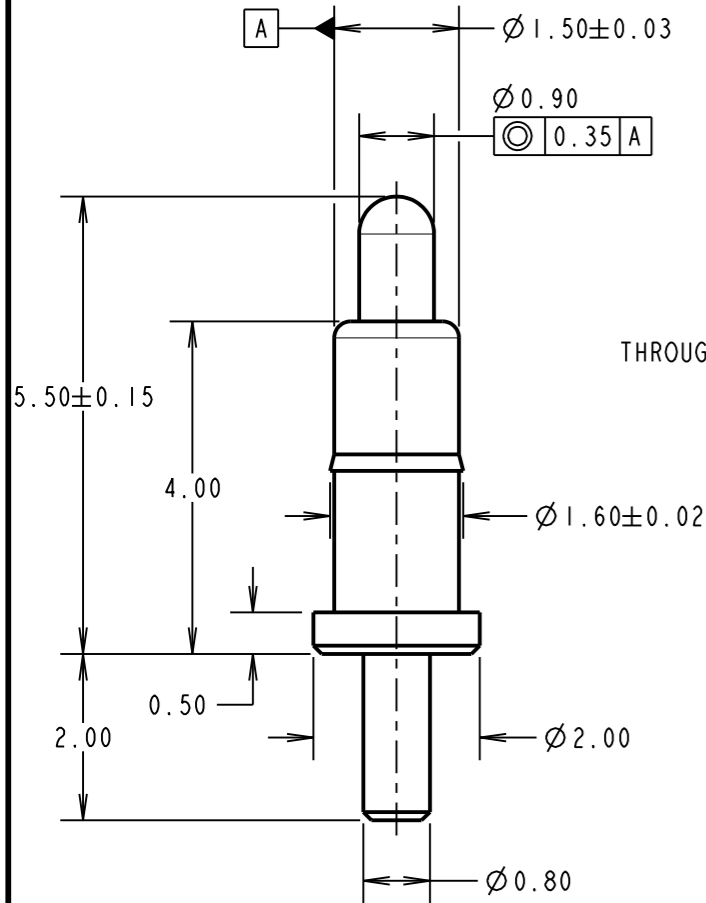
IF IN DOUBT - ASK

©

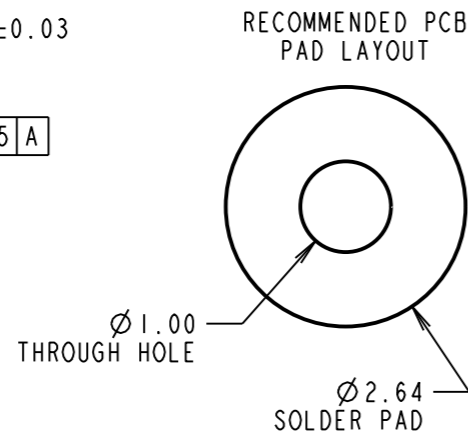
NOT TO SCALE

THIRD ANGLE PROJECTION

ALL DIMENSIONS IN mm

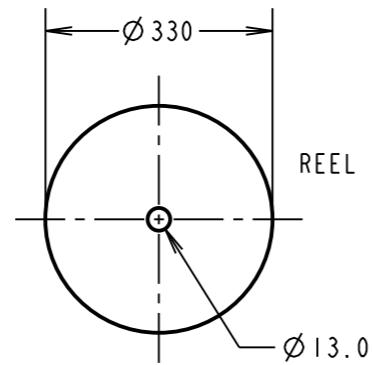


COMPONENT DETAILS

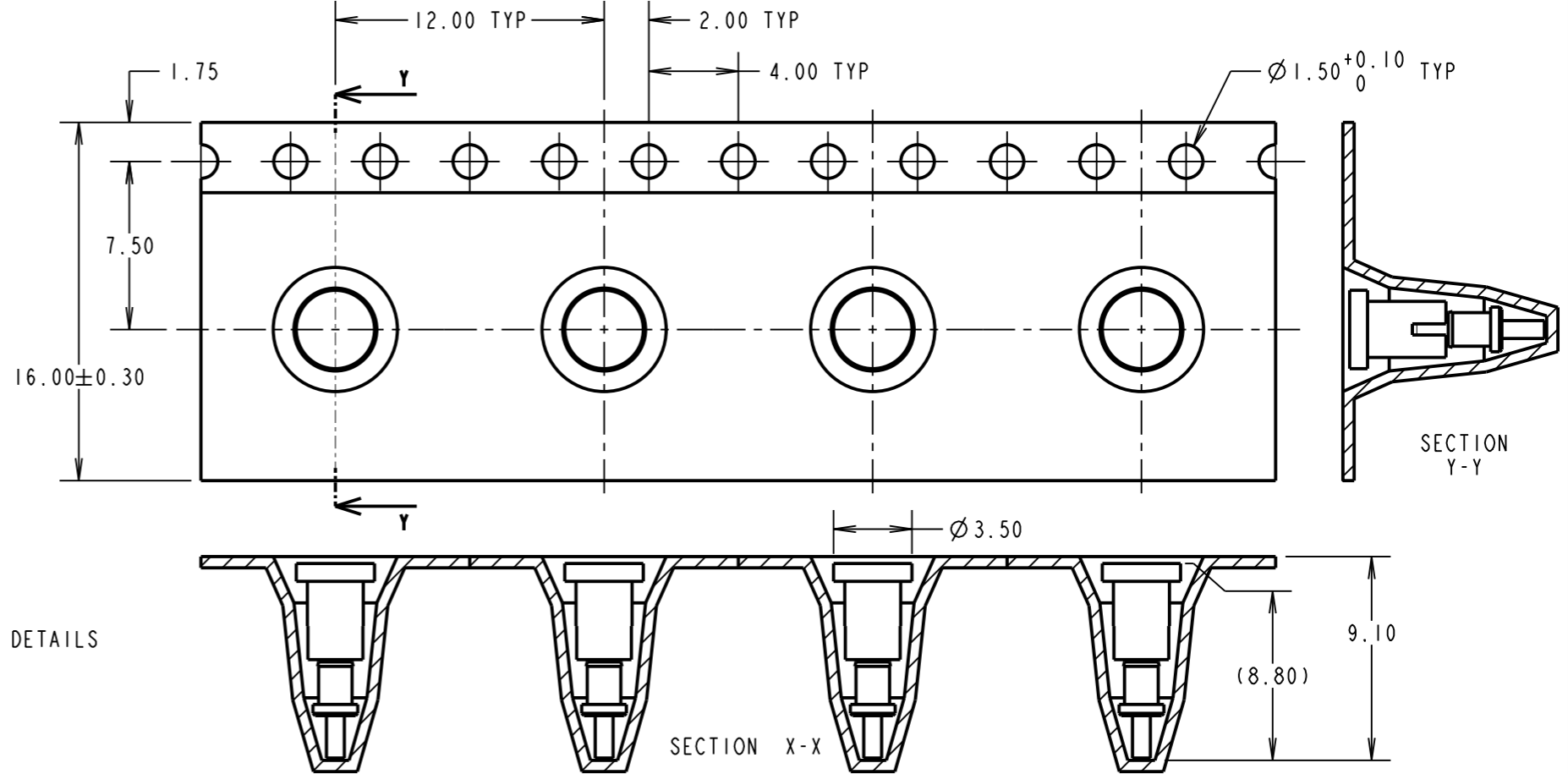


Ø 1.00 THROUGH HOLE

Ø 2.64 SOLDER PAD

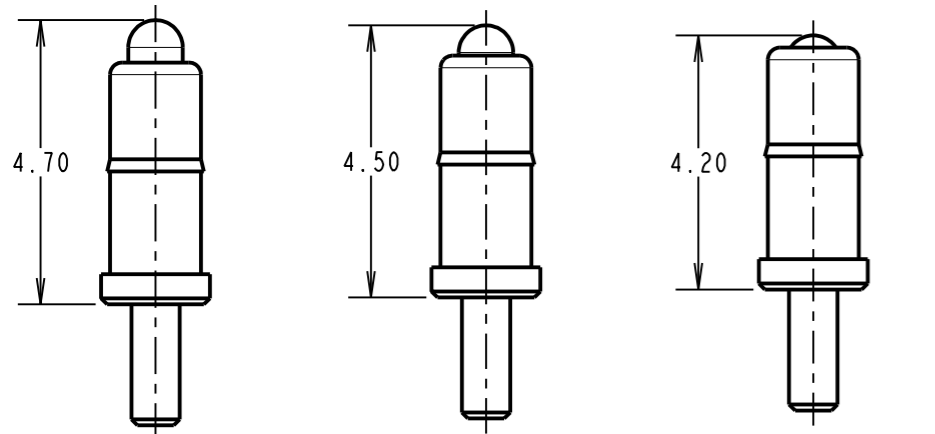


REEL DETAILS



SECTION Y-Y

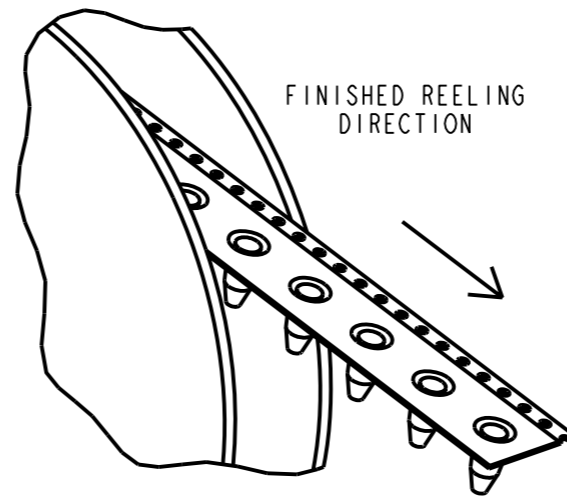
SECTION X-X



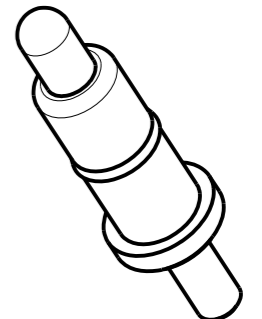
MAXIMUM WORKING HEIGHT

NORMAL WORKING HEIGHT

MINIMUM WORKING HEIGHT/MAX ALLOWED TRAVEL



FINISHED REELING DIRECTION



NOTES:

- IF ASSEMBLING PIN INTO MOULDING:  
RECOMMENDED HOLE SIZE = Ø 1.56 MIN.  
RECOMMENDED MATERIAL = GLASS FILLED PA46.
- ALL PRODUCTS ARE RoHS COMPLIANT.
- PRODUCT IS TAPE AND REELED IN GENERAL ACCORDANCE WITH EIA-481 (ELECTRONIC INDUSTRIES ASSOCIATION).

SPECIFICATION:

MATERIAL:  
BODY & PLUNGER = BRASS  
SPRING = STAINLESS STEEL WIRE  
PLATING:  
BODY = 0.1µ GOLD OVER 1.4µ NICKEL  
PLUNGER = 0.4µ GOLD OVER 1.4µ NICKEL  
ELECTRICAL:  
CONTACT RESISTANCE = 30mΩ MAX  
CURRENT RATING = 2.0A  
MECHANICAL:  
FORCE AT NORMAL HEIGHT = 0.68N ± 0.24N  
DURABILITY = 10,000 CYCLES  
ENVIRONMENTAL:  
OPERATING TEMPERATURE = -40°C TO 85°C  
PACKING:  
QUANTITY: 600 COMPONENTS PER REEL

MSP	2	19.08.16	20041
NAME	ISS.	DATE	C/NOTE
APPROVED:		M.PERREN	
CHECKED:		S.BENNETT	
DRAWN:		S.BENNETT	
CUSTOMER REF.:			
ASSEMBLY DRG:			

**HARWIN**

www.harwin.com  
technical@harwin.com

THIS DRAWING AND ANY INFORMATION OR DESCRIPTIVE MATTER SET OUT HEREON ARE CONFIDENTIAL AND COPYRIGHT PROPERTY OF THE HARWIN GROUP AND MUST NOT BE DISCLOSED, LOANED, COPIED OR USED FOR MANUFACTURING, TENDERING OR FOR ANY OTHER PURPOSE WITHOUT THEIR WRITTEN PERMISSION.

TOLERANCES  
X. = ±1mm  
X.X = ±0.50mm  
X.XX = ±0.10mm  
X.XXX = ±0.01mm  
ANGLES = ±5°  
UNLESS STATED

MATERIAL:  
SEE ABOVE  
FINISH: SEE ABOVE  
S/AREA: mm<sup>2</sup>

TITLE: SMT SPRING LOADED POGO PIN WITH PEG, IN TAPE AND REEL

DRAWING NUMBER: P70-2100045R

SHT 2 OF 2