

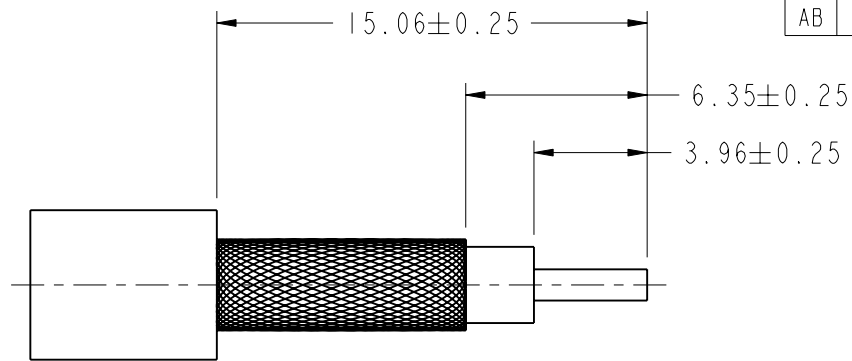
NOTES:

1. MATERIALS AND FINISHES:  
 BODY - BRASS, NICKEL PLATING  
 CONTACT - BRASS, GOLD PLATING  
 INSULATOR - PTFE, NATURAL
2. ELECTRICAL:  
 A. IMPEDANCE: 50 OHM  
 B. FREQUENCY RANGE: DC - 4 GHz  
 C. DIELECTRIC WITHSTANDING VOLTAGE: 1500 VRMS, MIN.
3. MECHANICAL:  
 A. DURABILITY: 500 CYCLES, MIN.  
 B. TEMPERATURE RANGE: -65° C TO +165° C
4. WHEN SOLDERING CONTACT TO CABLE,  
 ROSIN CORE SOFT SOLDER PER QQ-S-571, Sn60 IS RECOMMENDED.  
 WHEN CRIMPING CONTACT TO CABLE, CRIMP WITH AMPHENOL TOOL  
 227-944 (M22520/5-01) AND DIE SET 227-1221-11, CAVITY 'B'  
 (M22520/5-11, CLOSURE 'B')
5. WHEN CRIMPING FERRULE TO CABLE, CRIMP WITH AMPHENOL TOOL  
 277-944 (M22520/5-01) AND DIE SET 227-1221-11 CAVITY 'A'  
 (M22520/5-11 CLOSURE 'A')

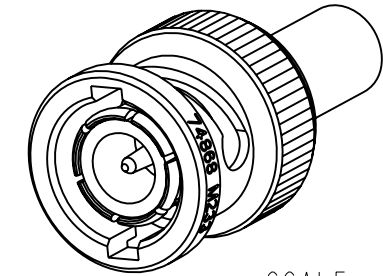
THIRD ANGLE PROJ.

REVISIONS

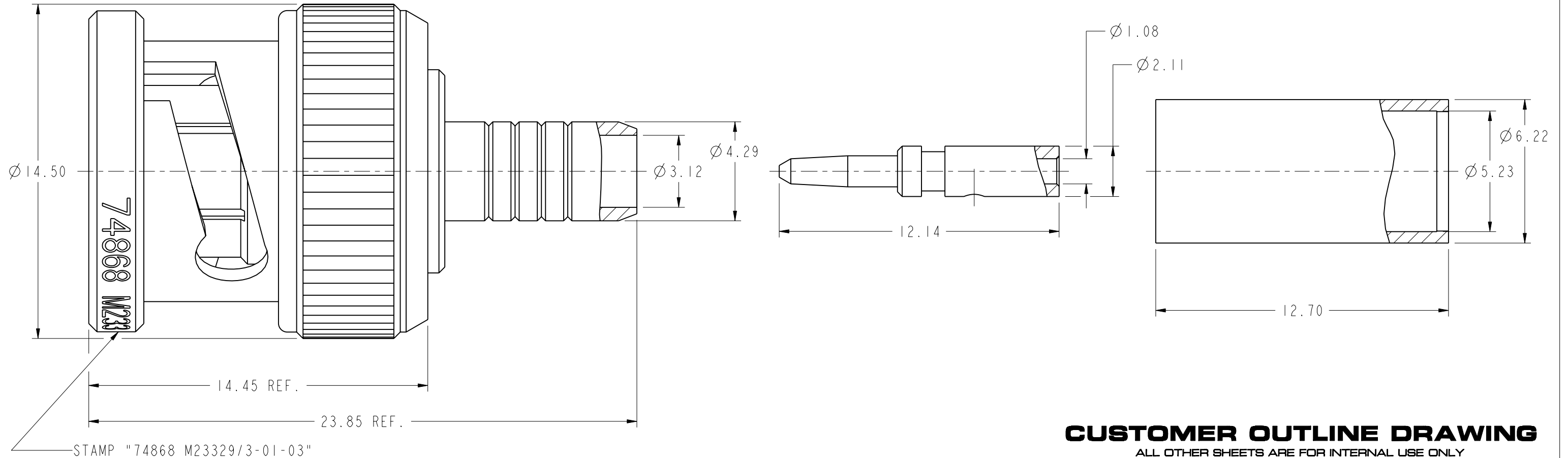
REV	DESCRIPTION	DATE	ECO	APPR
A2	SEE SHEET 1	29-Oct-02		
B	SEE SHEET 1	19-Mar-04		
B1	SEE SHEET 1	30-Jun-05		
C	SEE SHEET 1	28-Feb-08		AW
AA	REDRAWN TO UPDATE FORMAT	04-Dec-08	47247	SH
AB	SEE SHEET 1	17-Mar-10	47921	SH



RECOMMENDED CABLE STRIPPING DIMENSIONS



SCALE 2.000



**CUSTOMER OUTLINE DRAWING**  
 ALL OTHER SHEETS ARE FOR INTERNAL USE ONLY

UNLESS OTHERWISE SPECIFIED, DIMENSIONS ARE IN METRIC AND TOLERANCES ARE: <0.5mm ±0.05mm    0.5 - 6mm ±0.1mm    6 - 30mm ±0.2mm    30 - 120mm ±0.3mm    ANGLES ±1°	MATERIAL	DRAWN T. DENG	DATE 15-Jan-10	TITLE BNC CRIMP PLUG FOR RG-58/U & 141/U CABLE	Amphenol RF Danbury CT USA, Tainan, Taiwan, Shenzhen, China www.amphenolrf.com
	REFERENCE	ENGINEER C. WANG	DATE 15-Jan-10		
NOTICE - These drawings, specifications, or other data (1) are, and remain the property of Amphenol corp. (2) must be returned upon request; and (3) are confidential and not to be disclosed to any person other than those to whom they are given by Amphenol Corp. the furnishing of these drawings, specifications, or other data by Amphenol Corp., or to any other person for any purpose is not to be regarded by implication or otherwise in any manner licensing, granting rights to permitting such holder or any other person to manufacture, use or sell any product, process or design, patented or otherwise, that may in any way be related to or disclosed by said drawings, specifications, or other data.	FINISH	APPROVED S. HSIEH	DATE 17-Mar-10	SCALE: 6.0:1.0    SHEET 2 OF 2	ITEM NO. 31-320
		CAD FILE I:/BNC/31-320	DWG SIZE B	REV AB	PART NO. 31-320