

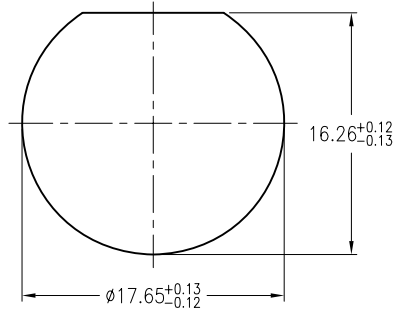
NOTES:

1. MATERIALS AND FINISHES  
 BODY - BRASS, NICKEL PLATING  
 CONTACT - BERYLLIUM COPPER, SILVER PLATING  
 INSULATOR - TEFLON
2. ELECTRICAL:  
 A. IMPEDANCE: 50 OHM

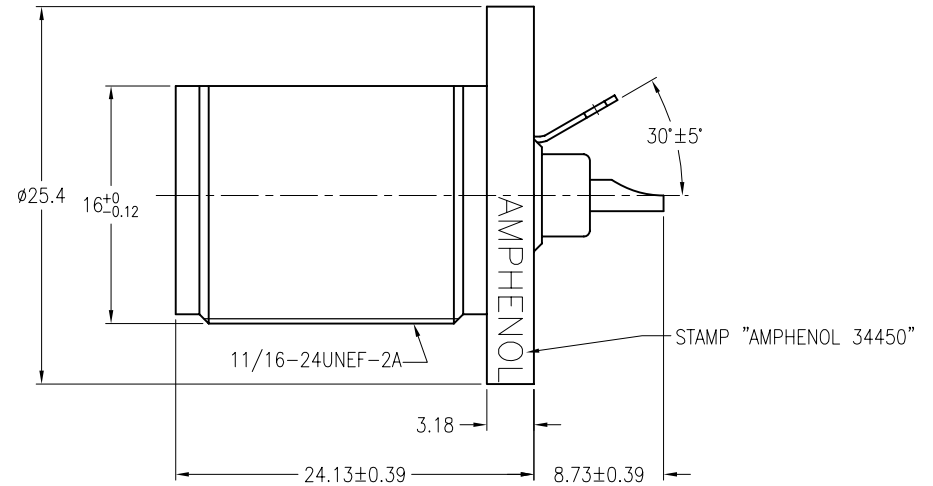
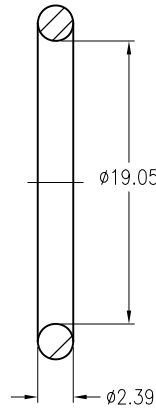
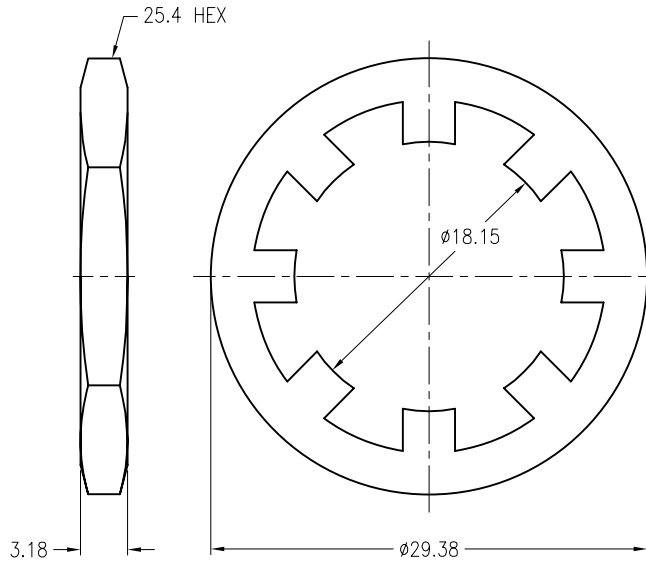
THIRD ANGLE PROJ.

REVISIONS

REV	DESCRIPTION	DATE	ECO	APPR
A1	SEE SHEET 1	18-Apr-03	--	TOM
J	REDRAWN TO UPDATE FORMAT \ RD-DM09071601K	3-Aug-09	47655	SH



RECOMMENDED MOUNTING HOLE



**CUSTOMER OUTLINE DRAWING**

ALL OTHER SHEETS ARE FOR INTERNAL USE ONLY

UNLESS OTHERWISE SPECIFIED, DIMENSIONS ARE IN METRIC AND TOLERANCES ARE:  
 0.5 - 6mm ±0.1mm    6 - 30mm ±0.2mm    30 - 120mm ±0.3mm    ANGLES ±1'

NOTICE - These drawings, specifications, or other data (1) are, and remain the property of Amphenol Corp. (2) must be returned upon request; and (3) are confidential and not to be disclosed to any person other than those to whom they are given by Amphenol Corp. The furnishing of these drawings, specifications, or other data by Amphenol Corp., or to any other person to anyone for any purpose is not to be regarded by implication or otherwise in any manner licensing, granting rights or permitting such holder or any other person to manufacture, use or sell any product, process or design, patented or otherwise, that may in any way be related to or disclosed by said drawings, specifications, or other data.

MATERIAL	DRAWN	DATE	TITLE			Amphenol RF Danbury CT USA, Tainan Taiwan, Shenzhen China www.amphenolrf.com		
	K.LI	21-Jul-09						
	ENGINEER	DATE	TRIAxIAL RECEPTACLE			DRAWING NO. 34450		
	N.CAO	22-Apr-03						
REFERENCE	APPROVED	DATE	SCALE: 2/1	SHEET 2 OF 2	ITEM NO. 34450			
	A.CHEN	21-Jul-09	DWG SIZE B	CODE ID 74868	REV J	PART NO. 34450		
FINISH	F:\DWG\CNPD\34450-JSZ							