

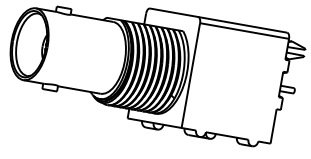
NOTES:

1. MATERIALS AND FINISHES:
 BODY - ZINC DIE CAST, NICKEL PLATING
 CONTACT - PHOSPHOR BRONZE, GOLD PLATING (.000003 THICK)
 @ CONTACT AREA ONLY, TIN PLATING AT TAIL, NICKEL PLATED OVERALL
 INSULATOR - POLYPROPYLENE
 HOUSING - PBT 15% G.F. , BLACK
 ROUND PIN - BRASS, TIN PLATING
 GROUNDNG TERMINAL - STEEL, TIN PLATING
2. ELECTRICAL:
 A. IMPEDANCE: 75 OHM
 B. FREQUENCY RANGE: DC - 1 GHz
 C. DIELECTRIC WITHSTANDING VOLTAGE: 1500 VRMS, MIN.
3. MECHANICAL:
 A. DURABILITY: 500 CYCLES MIN.
 B. TEMPERATURE RANGE: -55° C TO 85° C
4. PACKAGING:
 A. PACKAGED IN PACKING TRAYS
 B. QUANTITY PER TRAY: 40
5. SEPERATELY SUPPLIED MOUNTNG HARDWARE TO BE TIGHTENED TO 10 IN-LBS MIN/15 IN-LBS MAX WHEN ASSEMBLING TO PANEL

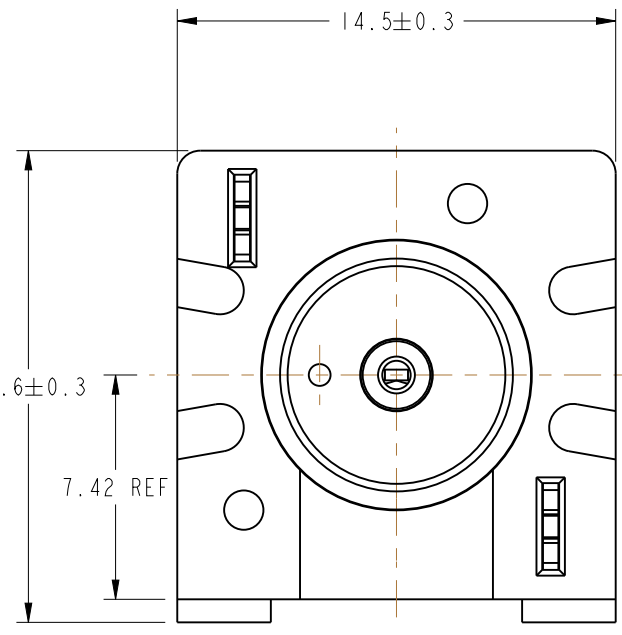
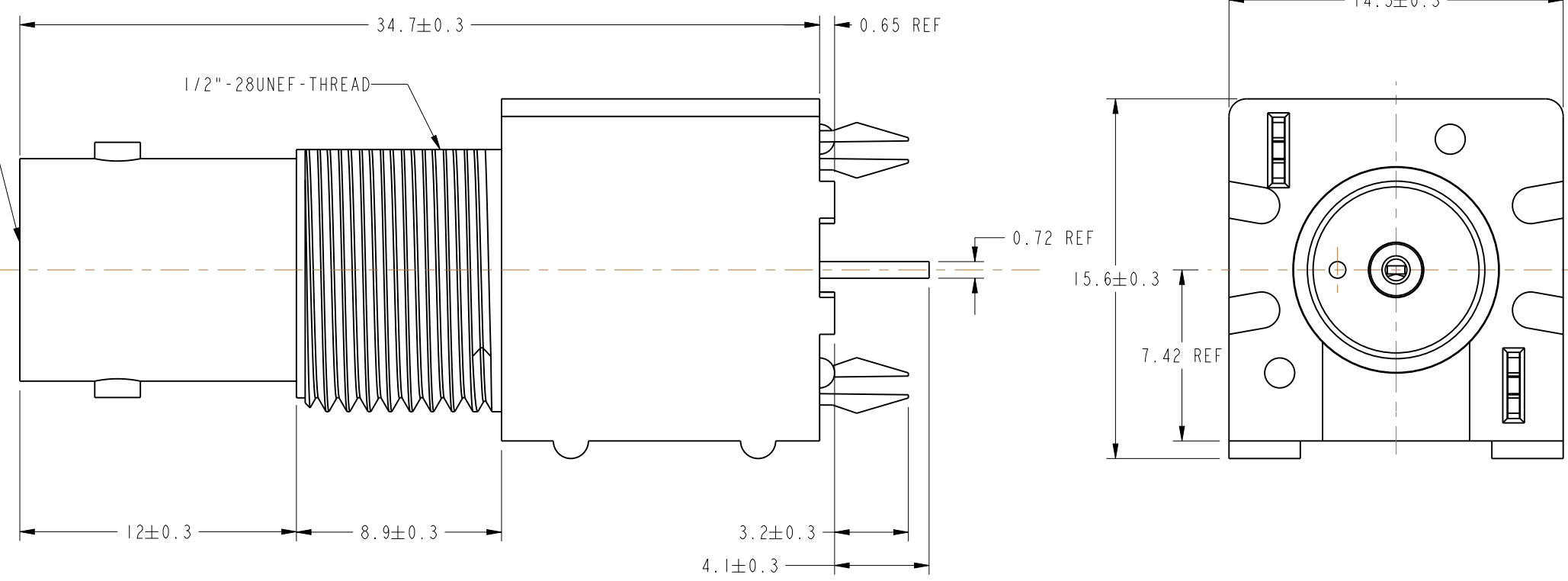
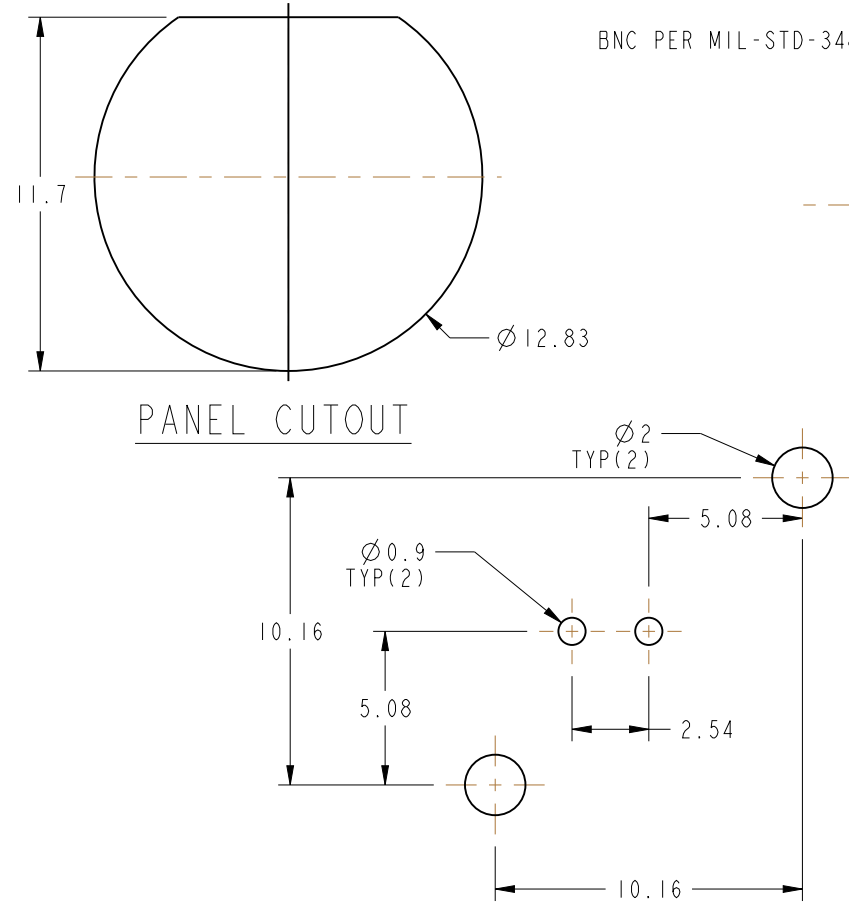
THIRD ANGLE PROJ.

REVISIONS

| REV | DESCRIPTION | DATE | ECO | APPR |
|-----|---|----------|-------|------|
| A | RELEASE TO MFG. | 9/11/96 | 41549 | CPM/ |
| B | SEE SHEET 1 | 8/1/05 | 45660 | CPM/ |
| C | UPDATE FORMAT AND NOMINAL ENVELOPE DIMENSIONS | 12/10/12 | 49031 | EW |



SCALE 1.000



CUSTOMER OUTLINE DRAWING
 ALL OTHER SHEETS ARE FOR INTERNAL USE ONLY

| | | | | | |
|--|----------------------|--------------|-----------|---|---|
| UNLESS OTHERWISE SPECIFIED, DIMENSIONS ARE IN METRIC AND TOLERANCES ARE: <0.5mm ±0.05mm 0.5 - 6mm ±0.1mm 6 - 30mm ±0.2mm 30 - 120mm ±0.3mm ANGLES ±1° | MATERIAL | DRAWN | DATE | TITLE 75 OHM BNC STR JACK, ISOLATED | Amphenol RF www.amphenolrf.com |
| | | ERIC WANKOFF | 26-Jun-12 | | |
| | REFERENCE | ENGINEER | DATE | SCALE: 4.0:1.0 SHEET 2 OF 2 | DRAWING NO. 31-71059-1010 ITEM NO. 31-71059-1010 PART NO. 31-71059-1010 |
| | CONFIGURATION LEVEL: | ERIC WANKOFF | 26-Jun-12 | | |
| FINISH | APPROVED | DATE | DWG SIZE | REV | |
| | K. CAPOZZI | 10/26/12 | B | C | |

NOTICE - These drawings, specifications, or other data (1) are, and remain the property of Amphenol corp. (2) must be returned upon request; and (3) are confidential and not to be disclosed to any person other than those to whom they are given by Amphenol Corp. the furnishing of these drawings, specifications, or other data by Amphenol Corp., or to any other person to anyone for any purpose is not to be regarded by implication or otherwise in any manner licensing, granting rights to permitting such holder or any other sperson to manufacture, use or sell any product, process or design, patented or otherwise, that may in any way be related to or disclosed by said drawings, specifications, or other data.