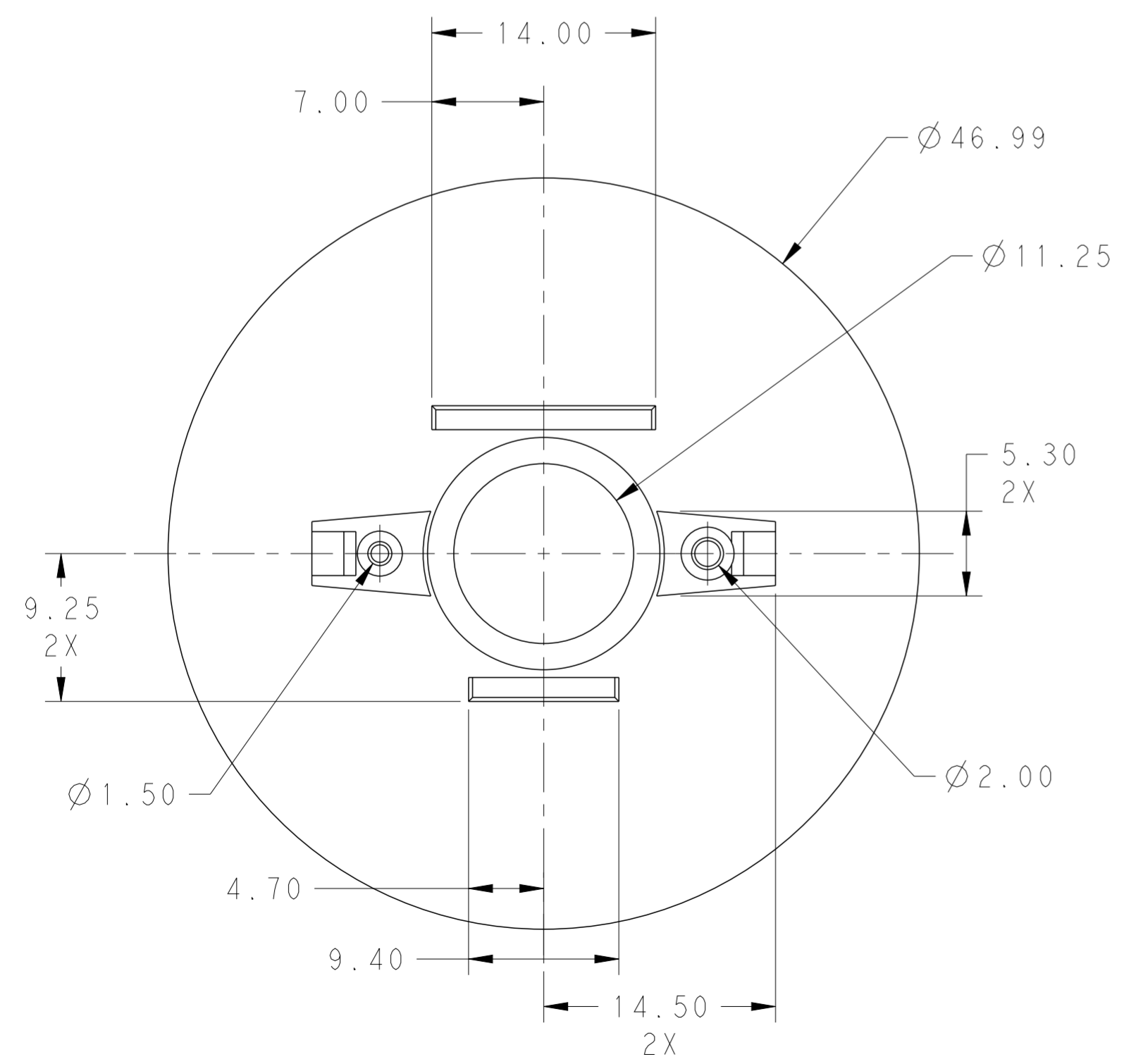
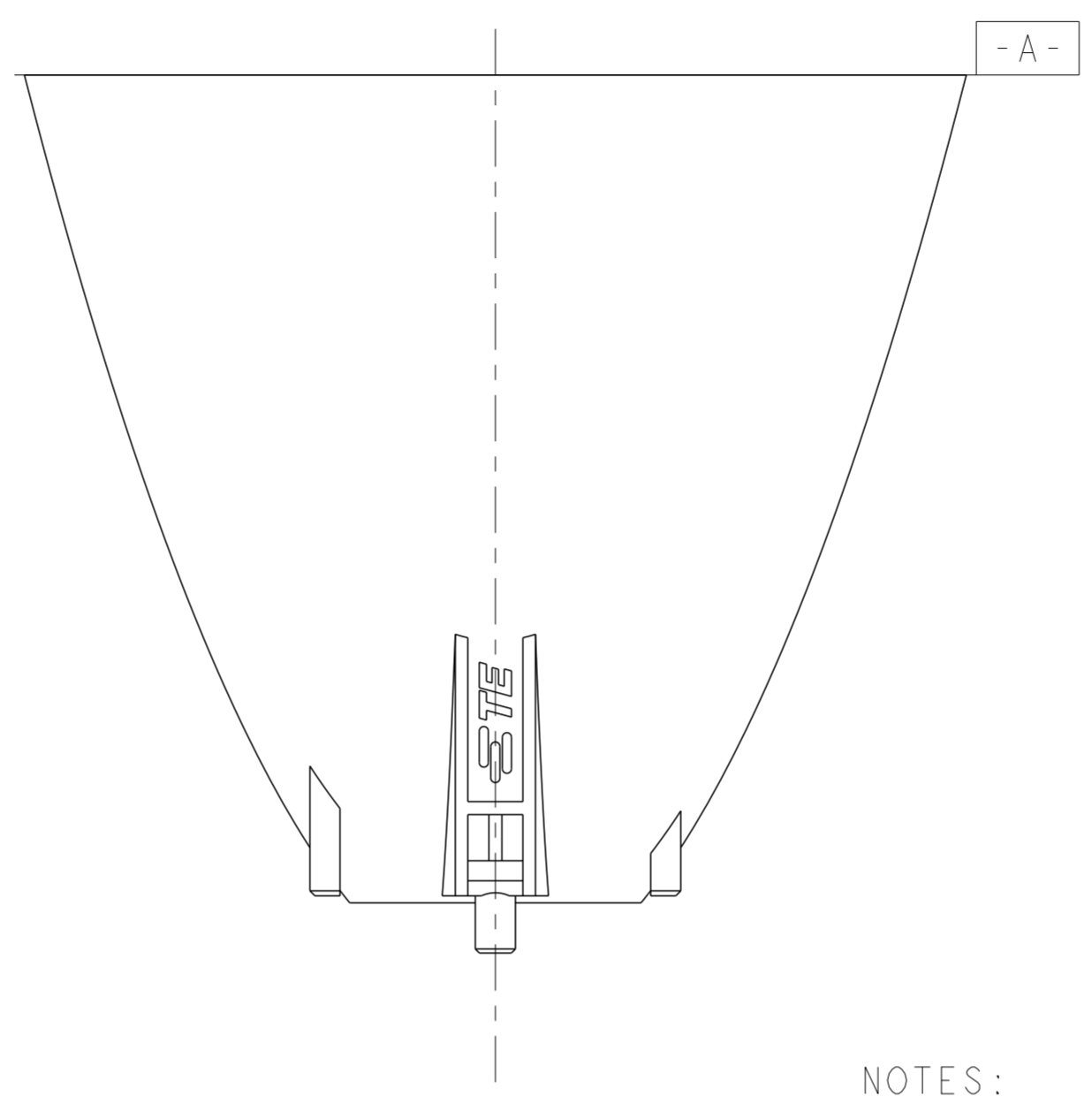
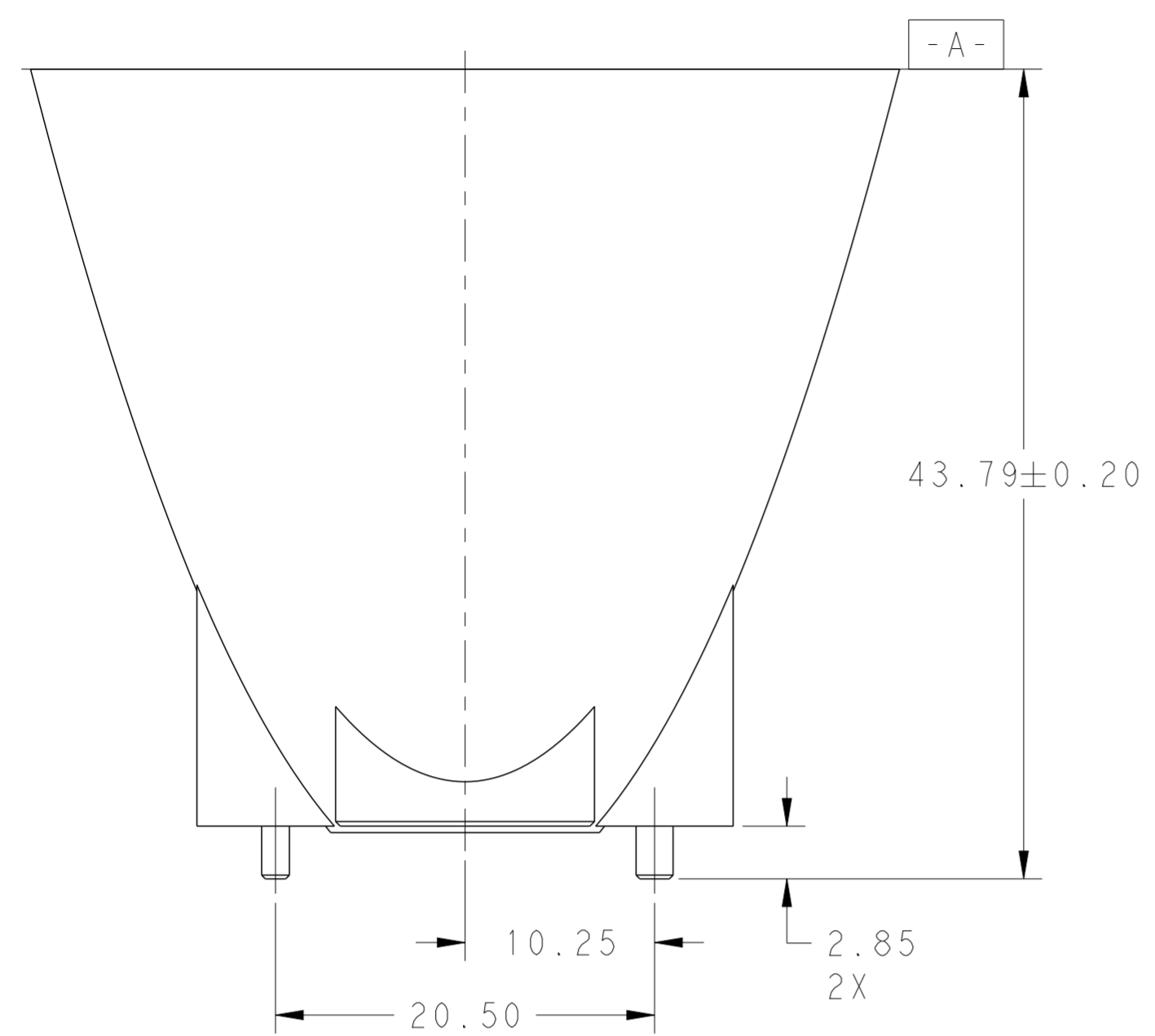


REVISIONS							
LOC	DIST	P	LTR	DESCRIPTION	DATE	DWN	APVD
-	-	A		REVISED PER ECR-12-002666	08AUG2012	RS	MM
		A1		REVISED PER ECR-14-000133	22JAN2014	YR	OL



- NOTES:
- ① MATERIAL: PC
 - ② COATING: ALUMINUM COATING WITH CLEAR LACQUER
 - 3. MUST COMPLY WITH DIRECTIVE 2002/95/EC (ROHS)
 - 4. FOR USE WITH P/N 2154235-2
 - 5. PERFORMANCE:
 EFFICIENCY: 85% TYPICAL
 OPERATING TEMPERATURE: -40 TO 105°C
 SEE SHEET 2 FOR ADDITIONAL INFORMATION
 - ⑥ ILLUMINACE VALUE BASED ON 17200 cd @ 991 lm OUTPUT

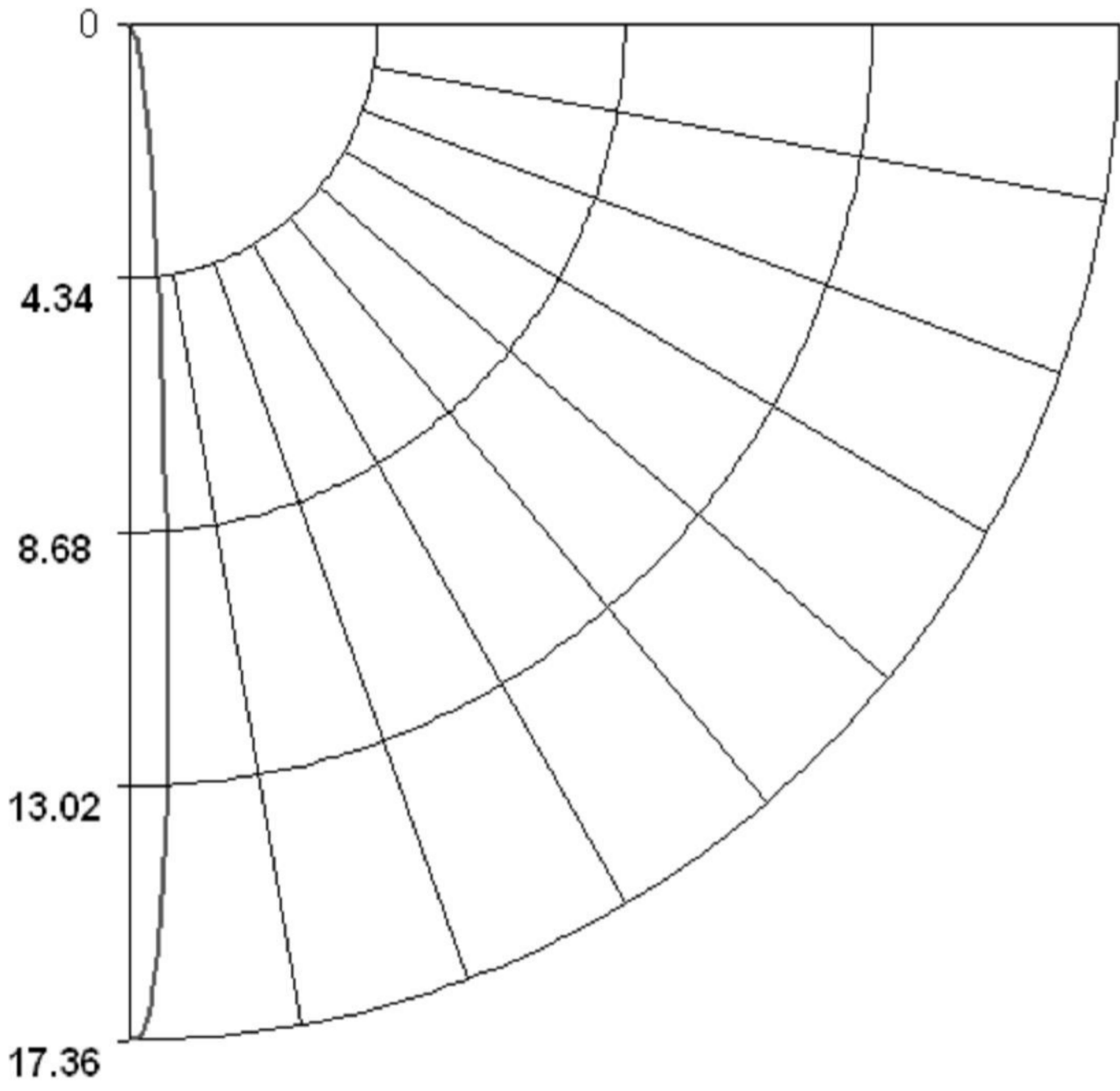
10°	1-2154430-1
BEAM ANGLE FWHM	PART NUMBER

THIS DRAWING IS A CONTROLLED DOCUMENT.		DWN R BROWN 04MAY2011	TE Connectivity			
DIMENSIONS: mm		CHK R NARANG 04MAY2011	LUMAWISE LED HOLDER, TYPE LS OPTIC			
TOLERANCES UNLESS OTHERWISE SPECIFIED:		APVD O. LEIJNSE 22JAN2014				
0 PLC ± 1 PLC ±0.2 2 PLC ±0.13 3 PLC ± 4 PLC ±		PRODUCT SPEC 108-2455	SIZE A2	CAGE CODE 00779	DRAWING NO C-2154430	RESTRICTED TO -
MATERIAL ① -		FINISH ② -	WEIGHT -	SCALE 3:1	SHEET 1 OF 2	REV A1
Customer Drawing						

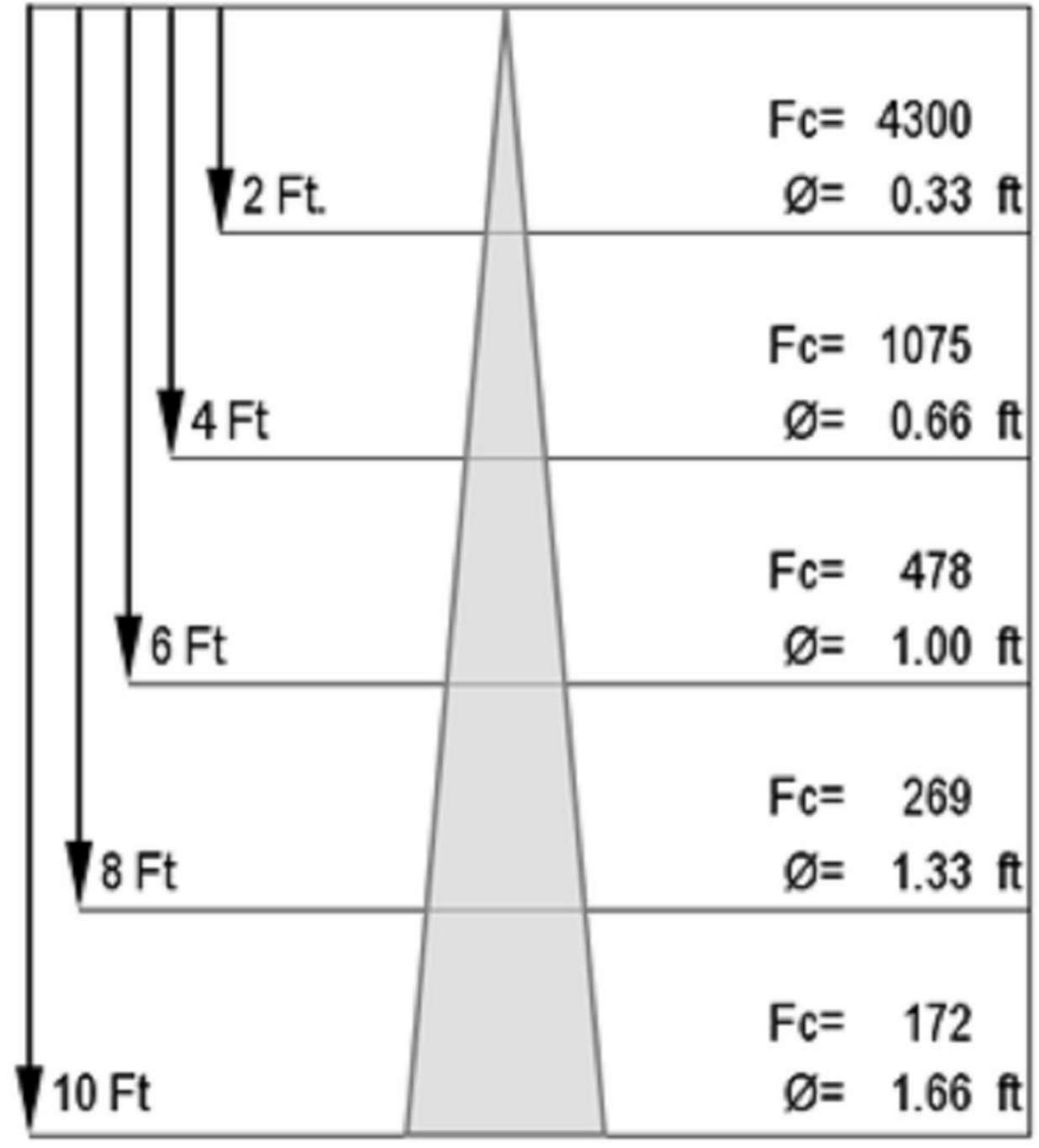
LOC		DIST		REVISIONS			
P	LTR	DESCRIPTION	DATE	DWN	APVD		
-	-	SEE SHEET 1	-	-	-		

PHOTOMETRIC INFORMATION:

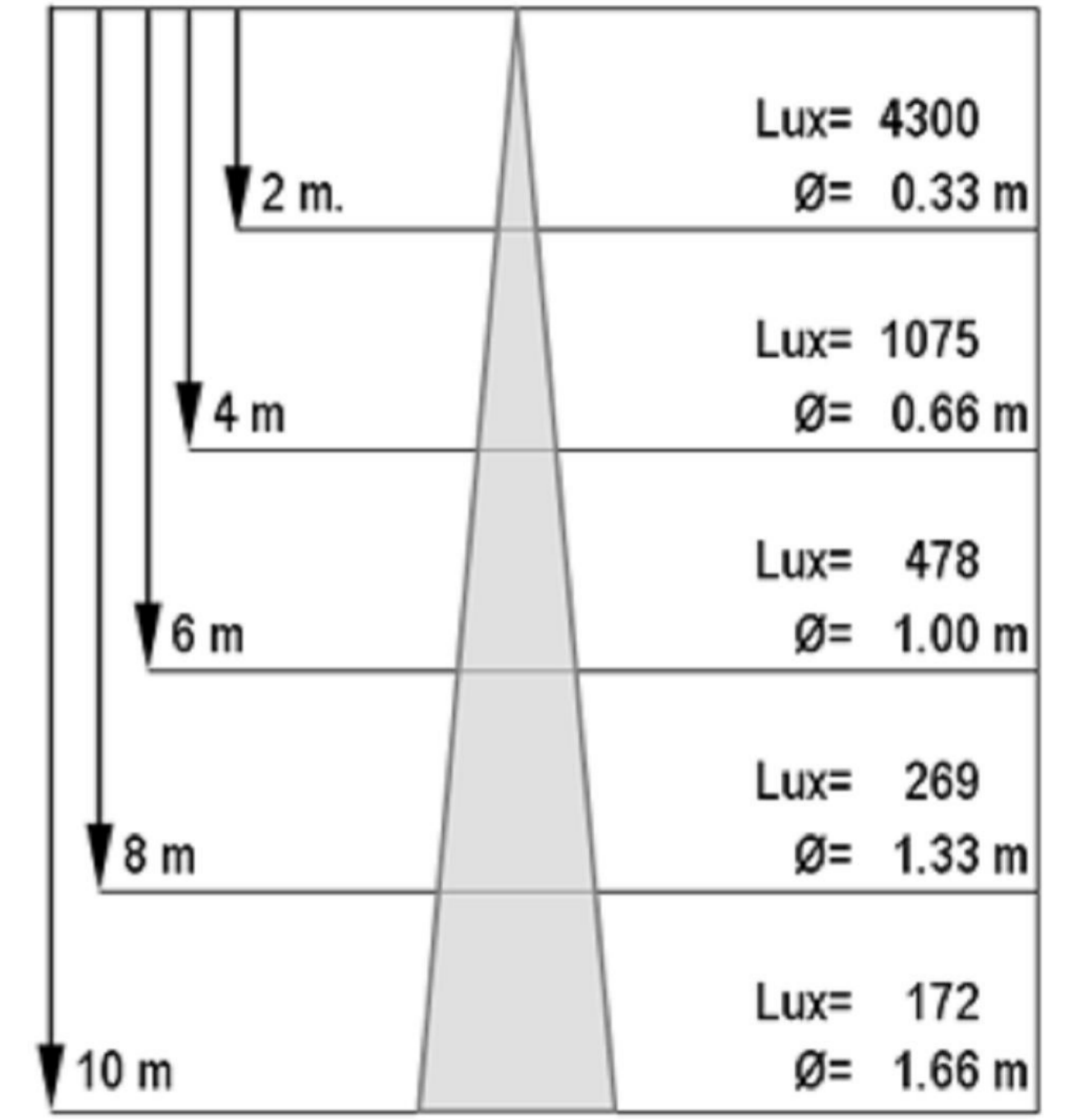
Candela Polar Plot
(Unit: cd/lm)




10 ° NARROW SPOT
3000K



10 ° NARROW SPOT
3000K



THIS DRAWING IS A CONTROLLED DOCUMENT.		DWN R BROWN 04MAY2011	 TE Connectivity NAME LUMAWISE LED HOLDER, TYPE LS OPTIC
DIMENSIONS: mm		CHK R NARANG 04MAY2011	
TOLERANCES UNLESS OTHERWISE SPECIFIED: 0 PLC ± 1 PLC ±0.2 2 PLC ±0.13 3 PLC ± 4 PLC ± ANGLES ±2° FINISH		APVD O. LEIJNSE 22 JAN 2014	
MATERIAL		PRODUCT SPEC 108-2455 APPLICATION SPEC 114-13294 WEIGHT -	
		SIZE A200779	DRAWING NO C-2154430
		Customer Drawing	RESTRICTED TO -
		SCALE 3:1	SHEET 2 OF 2 REV A1