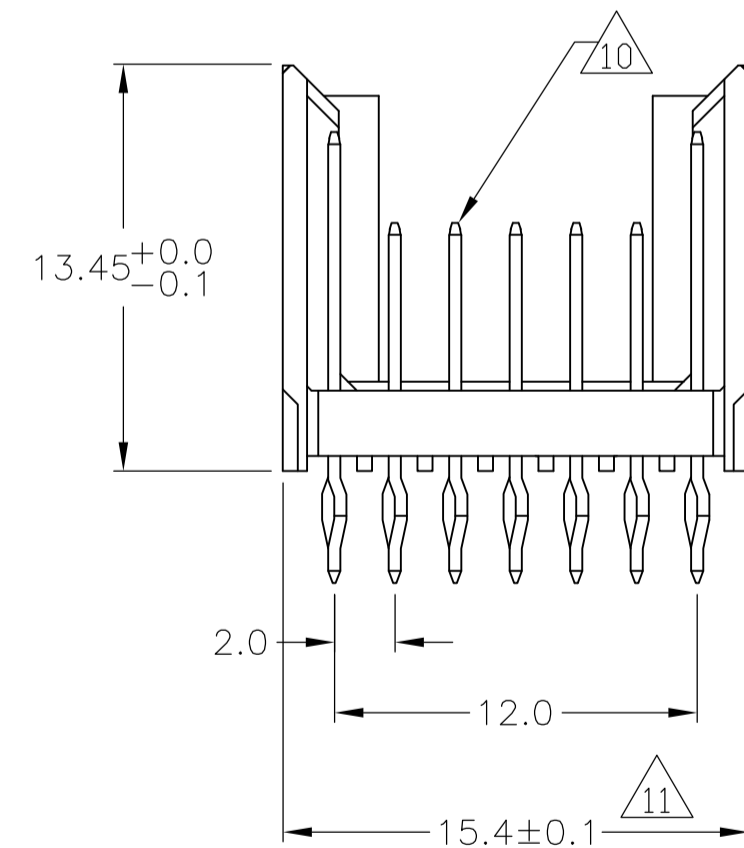
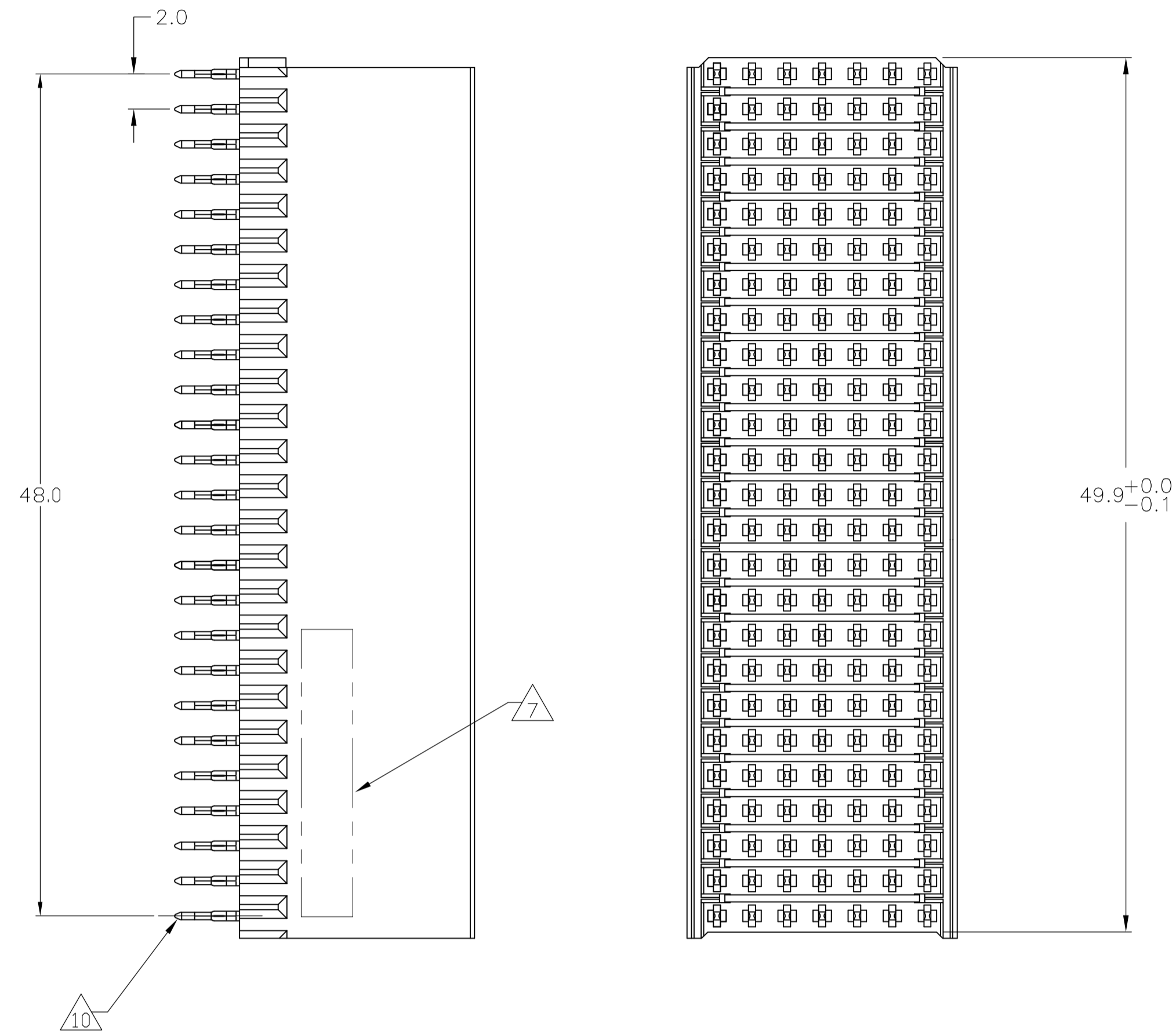


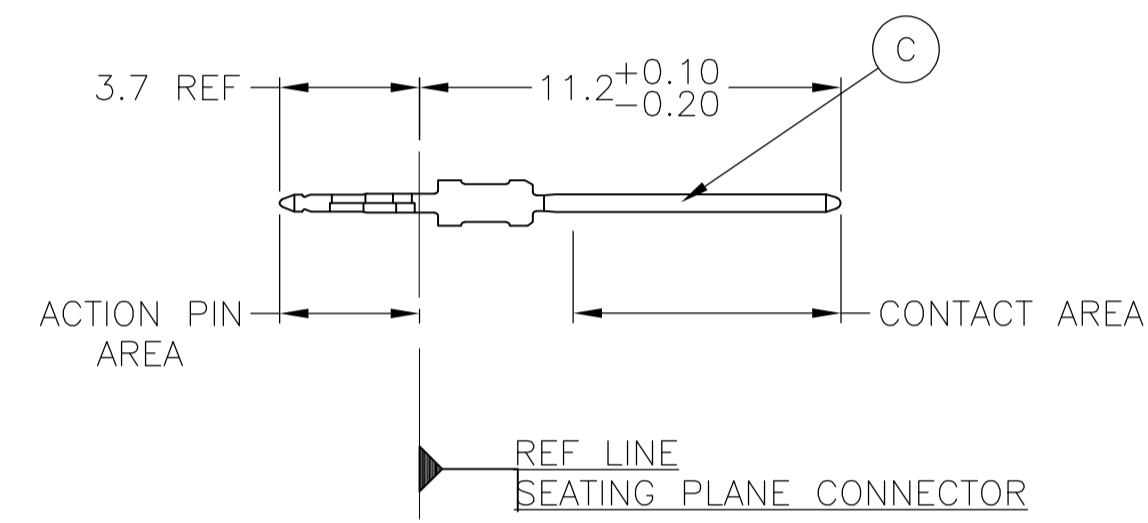
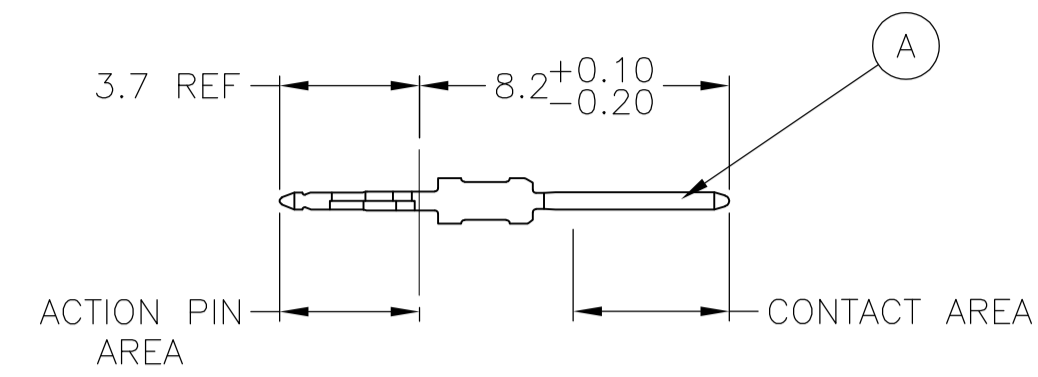
LOC		DIST		REVISIONS			
P	LTR	DESCRIPTION	DATE	DMN	APVD		
N1		REVISED PER ECO-11-005033	29MAR11	RK	HMR		
P		ECR-12-009853	6NOV12	SY	AC		

CONNECTOR ASSEMBLY EXAMPLARY LOADED $\triangle 9$



CONTACT DIMENSIONS

SCALE 5:1



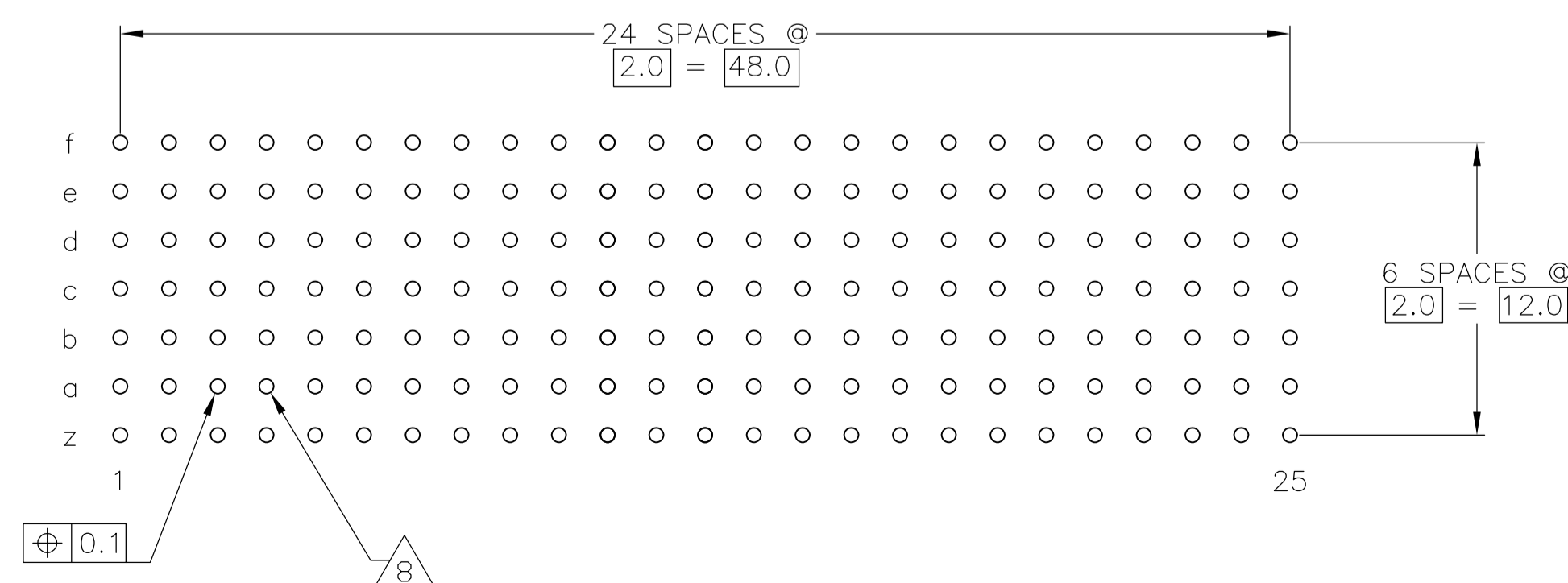
CONTACT LAYOUT

	z	a	b	c	d	e	f
1	C	A	A	A	A	A	C
2	C	A	A	A	A	A	C
3	C	A	A	A	A	A	C
4	C	A	A	A	A	A	C
5	C	A	A	A	A	A	C
6	C	A	A	A	A	A	C
7	C	A	A	A	A	A	C
8	C	A	A	A	A	A	C
9	C	A	A	A	A	A	C
10	C	A	A	A	A	A	C
11	C	A	A	A	A	A	C
12	C	A	A	A	A	A	C
13	C	A	A	A	A	A	C
14	C	A	A	A	A	A	C
15	C	A	A	A	A	A	C
16	C	A	A	A	A	A	C
17	C	A	A	A	A	A	C
18	C	A	A	A	A	A	C
19	C	A	A	A	A	A	C
20	C	A	A	A	A	A	C
21	C	A	A	A	A	A	C
22	C	A	A	A	A	A	C
23	C	A	A	A	A	A	C
24	C	A	A	A	A	A	C
25	C	A	A	A	A	A	C

RECOMMENDED PCB-HOLE LAYOUT COMPONENT SIDE SHOWN

PLATED THRU HOLES PARAMETERS

REFERENCE APPLICATION SPECIFICATION



	$\triangle 2$	$\triangle 3$	$\triangle 13$	3-100669-1
	$\triangle 2$	$\triangle 5$	$\triangle 12$	3-100669-0
OBSOLETE	$\triangle 2$	$\triangle 6$	$\triangle 12$	1-100669-9
OBSOLETE	$\triangle 2$	$\triangle 5$	$\triangle 12$	100669-9
OBSOLETE	$\triangle 2$	$\triangle 4$	$\triangle 12$	100669-4
	$\triangle 2$	$\triangle 3$	$\triangle 12$	100669-1
	FINISH			PART NUMBER

THIS DRAWING IS A CONTROLLED DOCUMENT.		DIN B CARBO 24JAN05	TE Connectivity	
DIMENSIONS: mm		CIK G SKIPPER 24JAN05	NAME MALE ASSEMBLY, Z-PACK 2mm HM, TYPE B	
TOLERANCES UNLESS OTHERWISE SPECIFIED: 0-PLC ±, 1-PLC ±0.1, 2-PLC ±, 3-PLC ±, 4-PLC ±, ANGLES ±		APVD G SKIPPER 24JAN05	APPLICATION SPEC 108-19082	
MATERIAL $\triangle 1$		FINISH SEE TABLE	WEIGHT	SIZE CAGE CODE DRAWING NO. RESTRICTED TO
			A1 00779	114-19029
			100669	100669
			CUSTOMER DRAWING	SCALE 4:1 SHEET 1 OF 2 REV P

- 1 MATERIAL:
CONTACT: PHOSPHOR BRONZE.
HOUSING: GLASS-FILLED POLYESTER.
- 2 GENERAL PLATING SPECIFICATION: UNDERPLATING
(ENTIRE CONTACT): 1.27µm MIN NICKEL AND ACTION
PIN: 0.5µm MIN TIN/LEAD.
FOR PLATING OF MATING SURFACES SEE APPLICABLE
SPECIFICATION REFERENCE FOR EACH DASH NUMBER.
- 3 CONFORMS TO ALL TESTING ACCORDING TO IEC 61076-4-101
PERFORMANCE LEVEL 2.
- 4 CONFORMS TO ALL TESTING ACCORDING TO IEC 61076-4-101
PERFORMANCE LEVEL 1.
- 5 CONNECTOR TESTED AND QUALIFIED AGAINST TELCORDIA GR-1217-CORE QUALITY LEVEL 3,
CENTRAL OFFICE APPLICATIONS.
- 6 CONNECTOR TESTED AND QUALIFIED AGAINST TELCORDIA GR-1217-CORE QUALITY LEVEL 3,
UNCONTROLLED ENVIROMENT APPLICATIONS.
- 7 CONNECTOR MARKED WITH PART NUMBER AND DATE CODE.
ADDITIONAL CHARACTERS OR MARKINGS, AS WELL AS THE LOCATION OF THE MARKINGS,
MAY BE ADDED FOR TRACEABILITY BASED UPON MANUFACTURERS DISCRETION.
- 8 PLATED-THROUGH HOLES AT 2x2mm SQUARE GRID
PATTERN DEFINED BY CONTACT LAYOUT.
- 9 FOR ACTUAL PIN LOADING SEE "CONTACT LAYOUT".
- 10 FOR ACTUAL PIN DIMENSIONS SEE "CONTACT DIMENSIONS".
- 11 TO BE MEASURED AT BOTTOM OF SHROUD.
- 12 CONNECTOR LUBRICATED WITH BELCORE APPROVED LUBRICANT,
TECHNICAL REFERENCE: TR-NWT-001217 ISSUE 1, SEP 1992.
- 13 0.76µm MIN GOLD PLATING AT MATING SURFACES.
- 14 OBSOLETE PARTS: OBSOLETE CIS STREAMLINING PER D.RENAUD/D.SINISI

THIS DRAWING IS A CONTROLLED DOCUMENT.		DIN E CARBO	24JAN05	TE Connectivity	
		CIK G SKIPPER	24JAN05		
DIMENSIONS: mm		TOLERANCES UNLESS OTHERWISE SPECIFIED:		NAME	
		0-PLC	±	MALE ASSEMBLY, Z-PACK 2mm HM, TYPE B	
		1-PLC	± 0.1		
2-PLC	±				
3-PLC	±				
		4-PLC	± 0.2	PRODUCT SPEC	
		ANGLES	±	APPLICATION SPEC	
MATERIAL SEE SHEET 1	FINISH SEE SHEET 1	WEIGHT	—	SIZE A1	CAGE CODE 00779
		DRAWING NO	100669	RESTRICTED TO	—
		CUSTOMER DRAWING		SCALE	4:1
				SHEET	2 OF 2
				REV	P