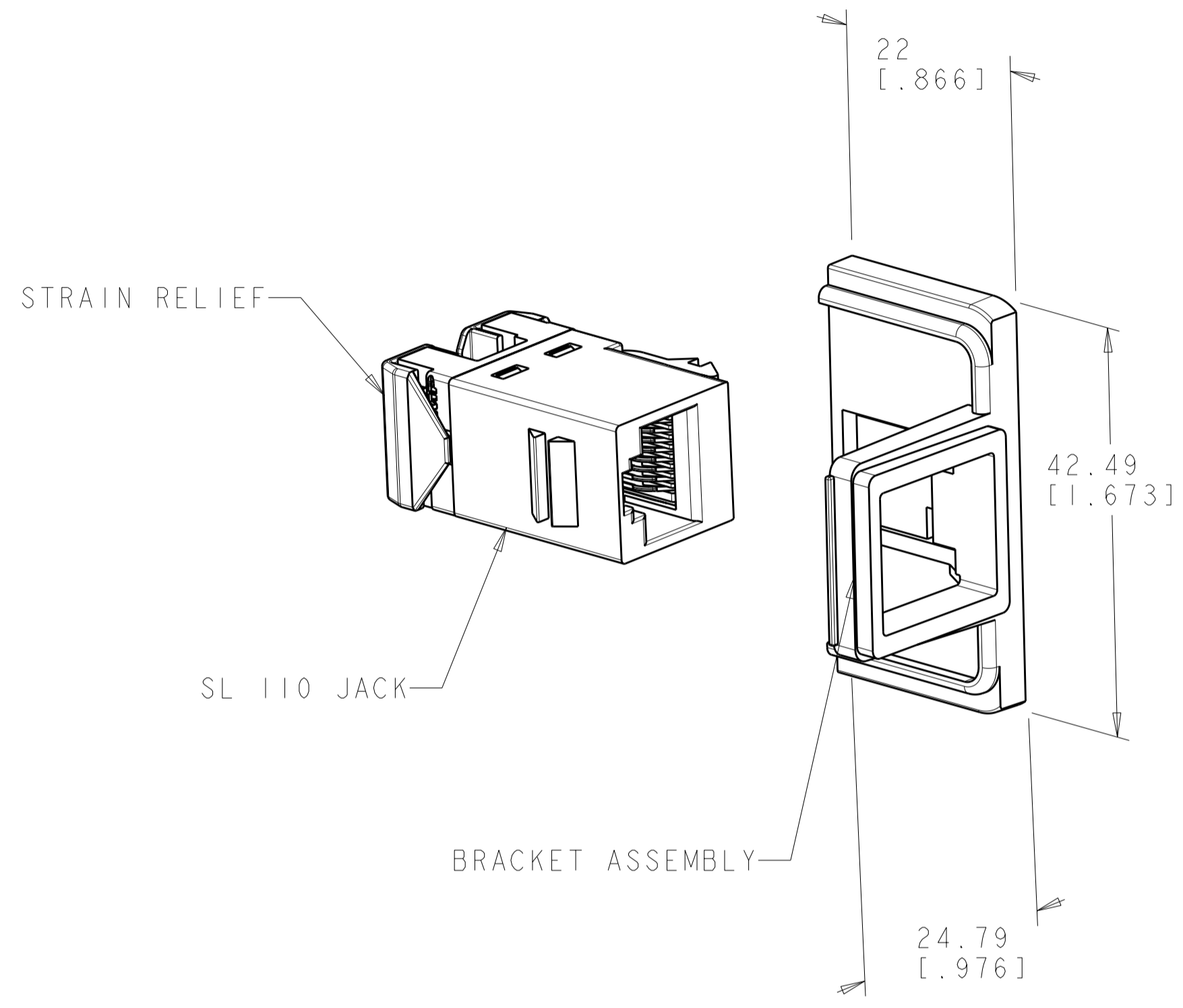
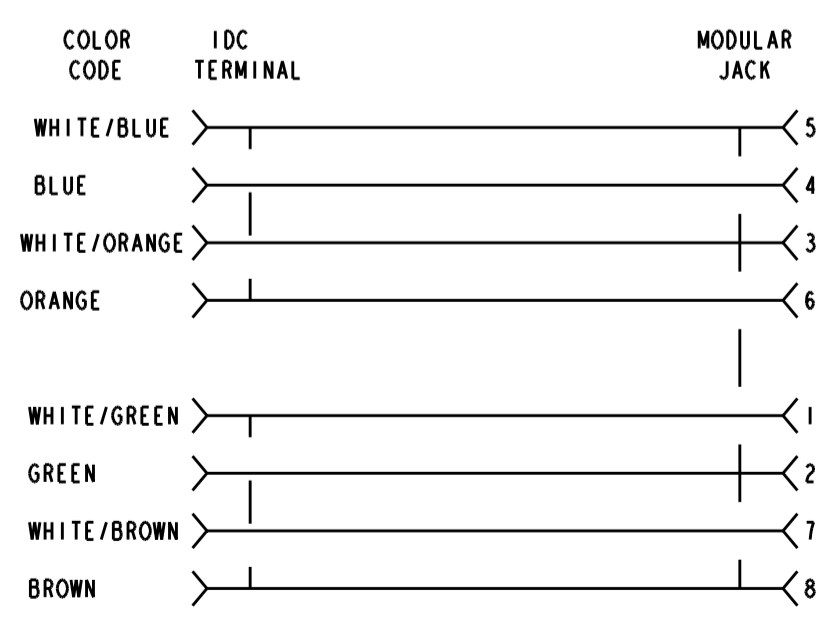


THIS DRAWING IS UNPUBLISHED. RELEASED FOR PUBLICATION 20  
 © COPYRIGHT 20 BY TYCO ELECTRONICS CORPORATION. ALL RIGHTS RESERVED.

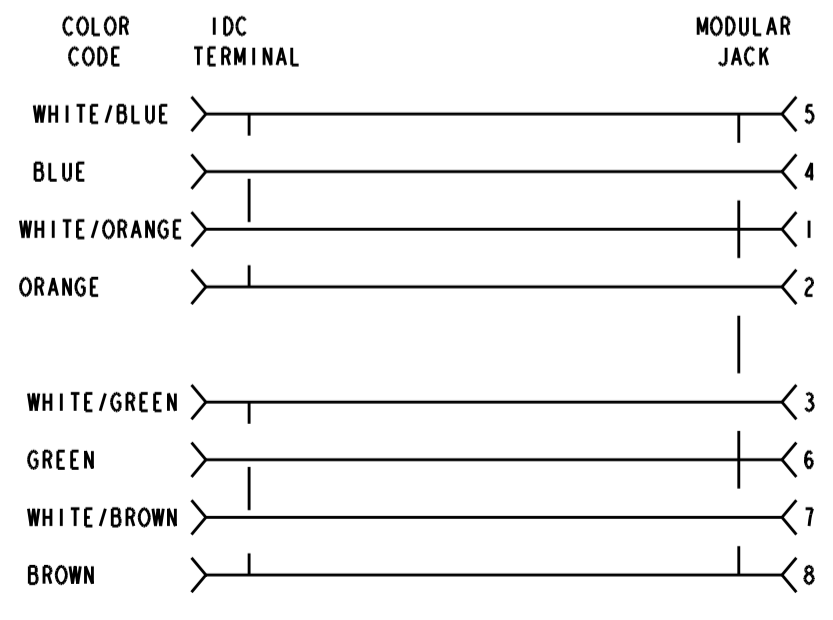
LOC		DIST		REVISIONS			
P	LTR	DESCRIPTION	DATE	DWN	APVD		
	B	REDWN, REV; EC 0B40-0016-03	10FEB03	GG	LS		
	C	REV ECO-09-004514	23APR2009	LH	SJ		
	D	REV; ECO-09-011567	15JULY2009	GG	SJ		



- ⚠ MATERIAL:  
 BRACKET - ABS, UL 94V-0 RATED.  
 JACK HOUSING - POLYPHENYLENE OXIDE, UL 94V-0 RATED.  
 110 BLOCKS AND STRAIN RELIEF - POLYCARBONATE.  
 JACK CONTACTS ARRAY - GOLD OVER BERYLLIUM COPPER.  
 IDC TERMINALS - TIN OVER PHOSPHOROUS BRONZE..
- USE FOAM TAPE (INCLUDED) FOR FASTENING TO SURFACES.
  - THIS KIT SHIPPED NOT ASSEMBLED.
- ⚠ ALL DIMENSIONS SHOWN ARE NOMINAL.
- APPLICATION: UNDERCARPET COMMUNICATIONS CABLING SYSTEM. USE WITH LOW PROFILE COMMUNICATIONS FLOOR FITTINGS.



ELECTRICAL SCHEMATIC T568A



ELECTRICAL SCHEMATIC T568B

558054-1  
 PART NUMBER

THIS DRAWING IS A CONTROLLED DOCUMENT FOR TYCO ELECTRONICS CORPORATION. IT IS SUBJECT TO CHANGE AND THE CONTROLLING ENGINEERING ORGANIZATION SHOULD BE CONTACTED FOR THE LATEST REVISION.		DWN G. GARRETT 10FEB03	Tyco Electronics Harrisburg, PA 17105-3608	
DIMENSIONS: [MM [INCHES]]		CHK L. SIMPSON 10FEB03	NAME DATA KIT, SL 110 JACK, UNIVERSAL, CATEGORY 5E	
TOLERANCES UNLESS OTHERWISE SPECIFIED: 0 PLC ± 4 1 PLC ± 2 PLC ± 3 PLC ± 4 PLC ± ANGLES ± FINISH		APVD L. SIMPSON 10FEB03	SIZE A2 CAGE CODE 00779 DRAWING NO. 558054 RESTRICTED TO -	
MATERIAL		PRODUCT SPEC -	SCALE 2:1 SHEET 1 OF 1 REV D	
CUSTOMER DRAWING		APPLICATION SPEC -		
		WEIGHT -		