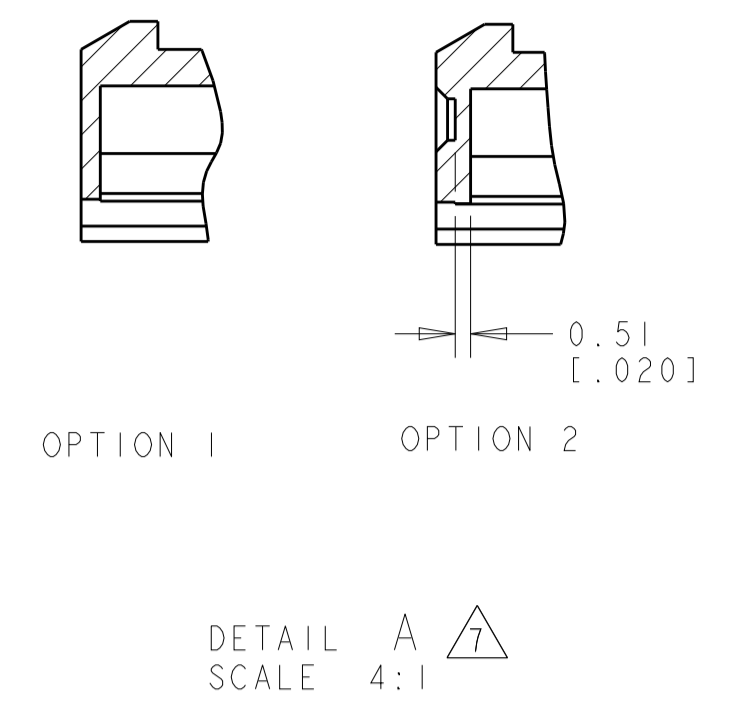
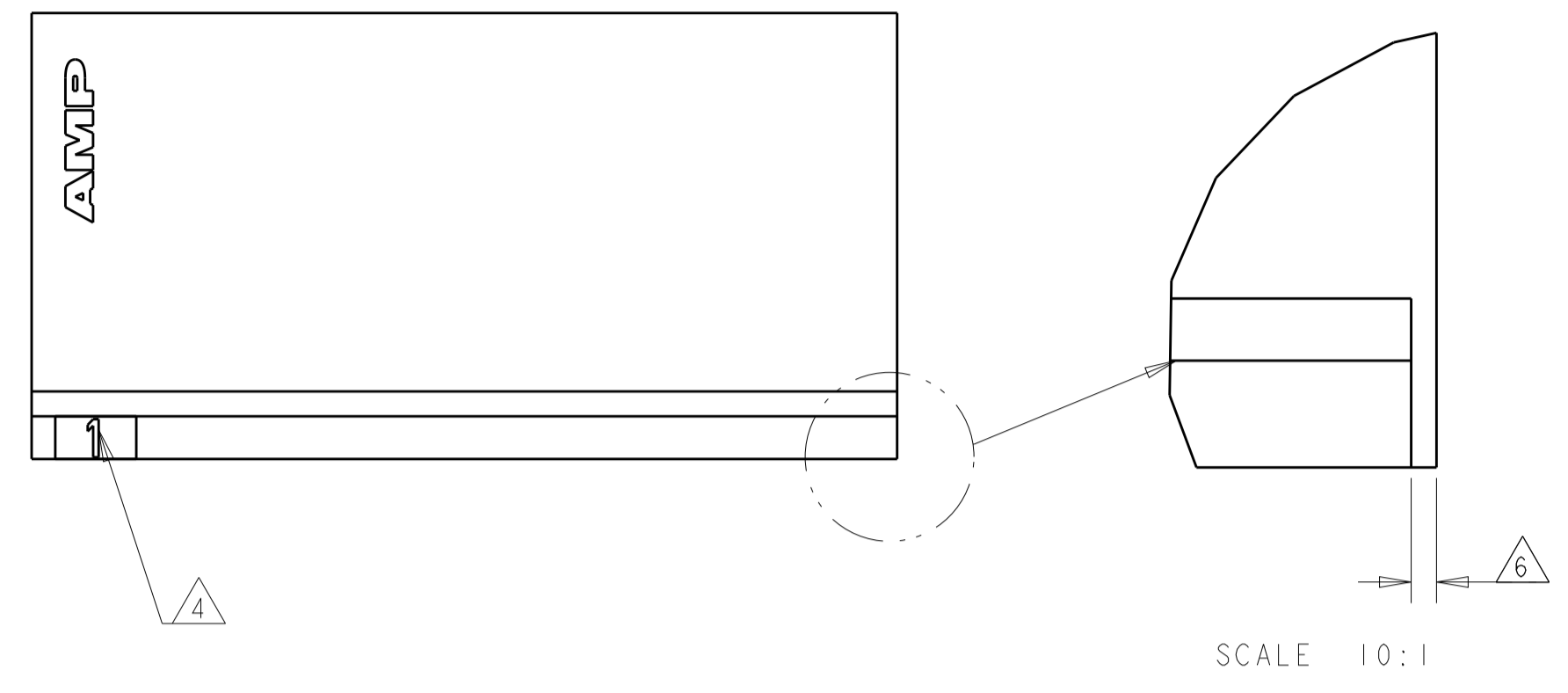
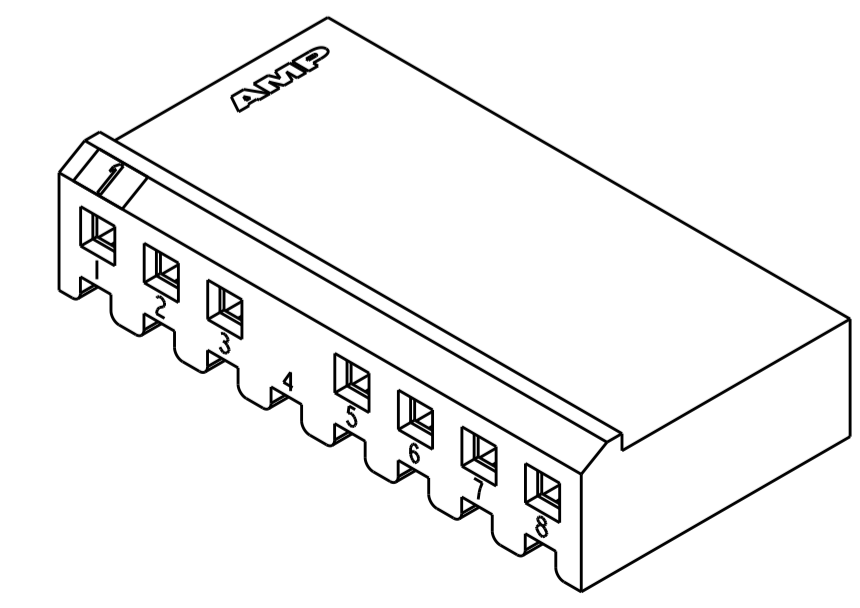
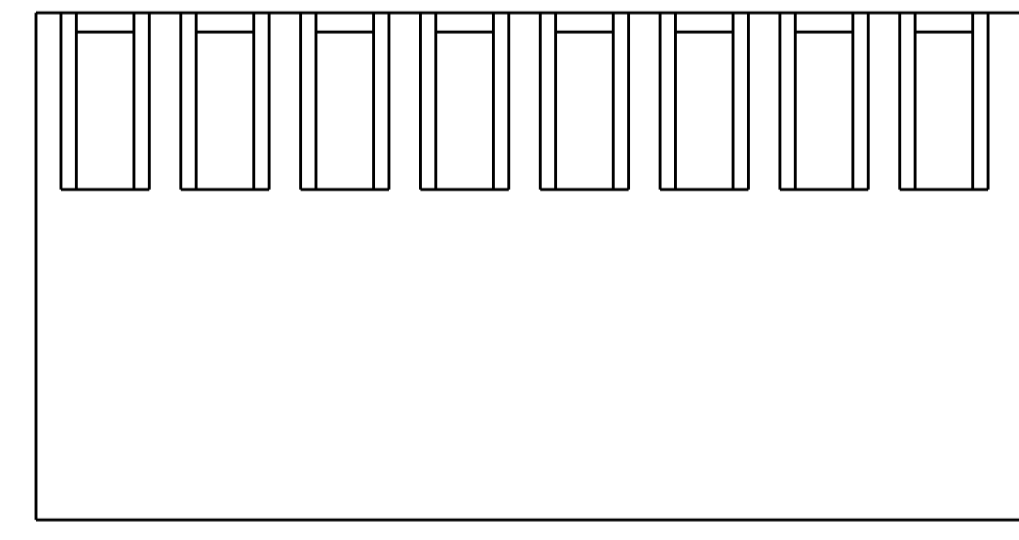
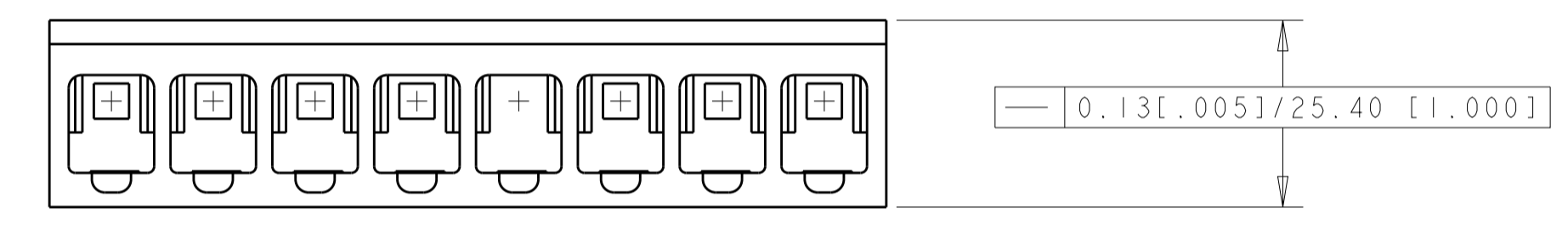
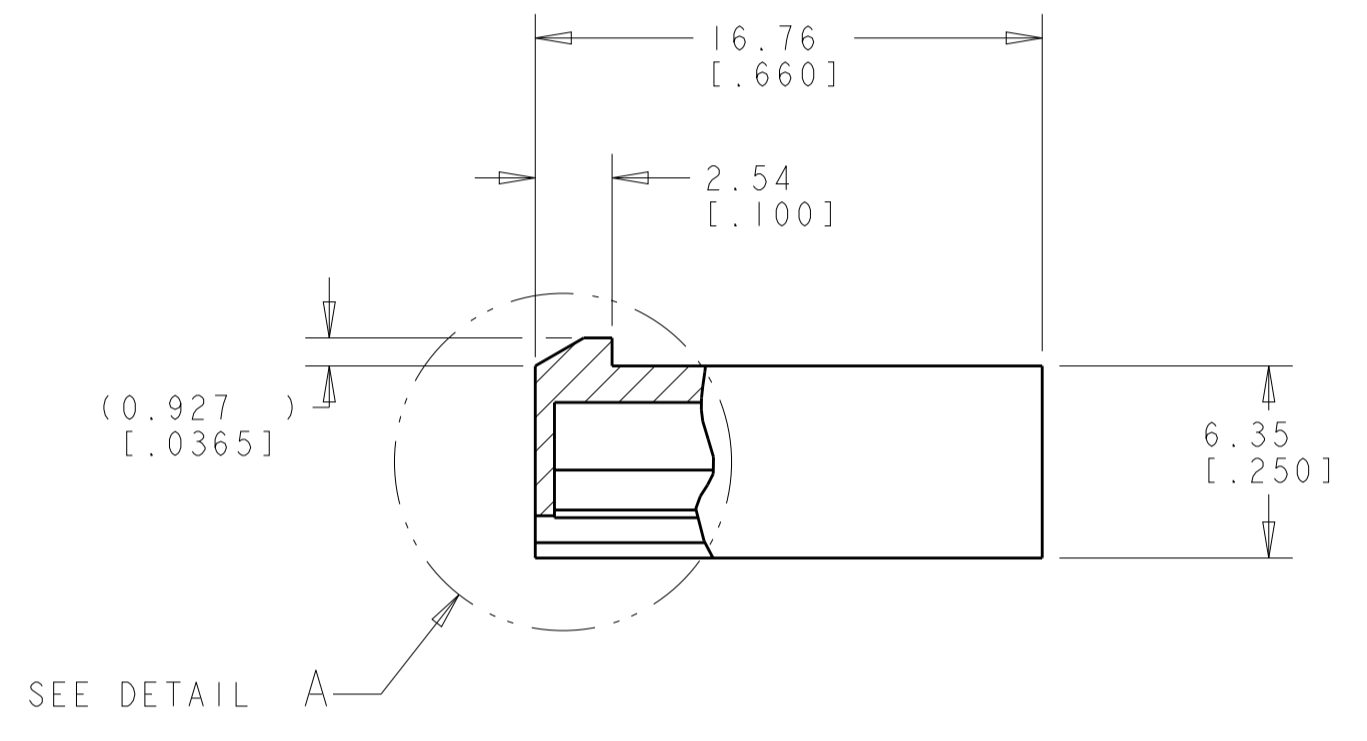
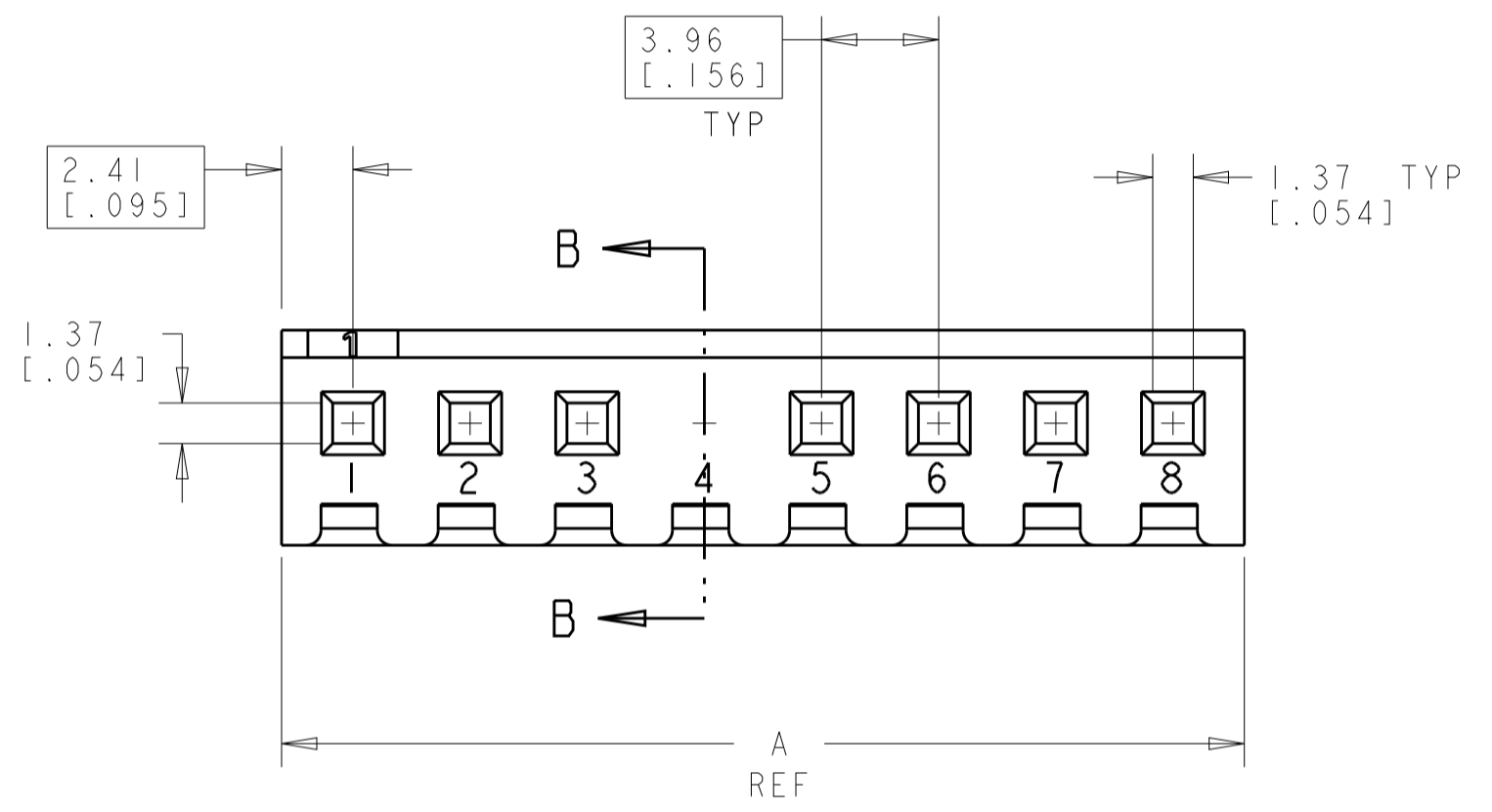


LOC	DIST	REVISIONS					
		P	LTN	DESCRIPTION	DATE	DWN	APVD
CM	00	E		REVISED PER ECO-12-007810	28JUL2012	KH	SM



1. UNIT ACCEPTS 1.14 [.045] SQUARE OR ROUND POST.
2. UNIT ACCEPTS STANDARD SL-156 CONTACTS.
3. UNIT ACCEPTS KEYING PLUG 640254-1 AND KEYING PIN 640255-1.
- $\triangle$  4. CIRCUIT I.D. NUMBER(S) TO BE LOCATED SEQUENTIALLY AS SHOWN OR ONLY NO. 1 CIRCUIT PLACED ON LOCKING RAMP.
5. DIMENSION IN BRACKETS ARE IN INCHES.
- $\triangle$  6. OPTIONAL CONSTRUCTION (BOTH CORNERS) UP TO 0.38 [.015].
- $\triangle$  7. DETAIL A SHOWS CIRCUIT 4 MOLDED CLOSED. EITHER OPTION 1 OR OPTION 2 MAY BE USED.
8. ACCEPTS UP TO 2.79 [.110] INSULATION WIRE.



647412-8 SHOWN

	DIM A	NO OF CIRCUITS	PART NUMBER
PRELIMINARY	95.96 [3.778]	24	2-647412-4
PRELIMINARY	92.00 [3.622]	23	2-647412-3
PRELIMINARY	88.04 [3.466]	22	2-647412-2
PRELIMINARY	84.07 [3.310]	21	2-647412-1
PRELIMINARY	80.11 [3.154]	20	2-647412-0
PRELIMINARY	76.15 [2.998]	19	1-647412-9
PRELIMINARY	72.19 [2.842]	18	1-647412-8
PRELIMINARY	68.22 [2.686]	17	1-647412-7
PRELIMINARY	64.26 [2.530]	16	1-647412-6
	60.30 [2.374]	15	1-647412-5
PRELIMINARY	56.34 [2.218]	14	1-647412-4
PRELIMINARY	52.37 [2.062]	13	1-647412-3
PRELIMINARY	48.41 [1.906]	12	1-647412-2
PRELIMINARY	44.45 [1.750]	11	1-647412-1
PRELIMINARY	40.49 [1.594]	10	1-647412-0
PRELIMINARY	36.53 [1.438]	9	647412-9
	32.56 [1.282]	8	647412-8
PRELIMINARY	28.60 [1.126]	7	647412-7
PRELIMINARY	24.64 [0.970]	6	647412-6
PRELIMINARY	20.68 [0.814]	5	647412-5
PRELIMINARY	16.71 [0.658]	4	647412-4

THIS DRAWING IS A CONTROLLED DOCUMENT.		DWN J. WHITAKER 27-JAN-04	NAME HOUSING, WITH LOCKING RAMP, SL-156, FOR LARGE WIRE INSULATION, CIRCUIT 4 BLOCKED	
DIMENSIONS: mm [INCHES]	TOLERANCES UNLESS OTHERWISE SPECIFIED:	CHK J. ELLIS 27-JAN-04	PRODUCT SPEC	RESTRICTED TO
0 PLC ±	1 PLC ±0.13 [0.005]	APVD J. ELLIS 27-JAN-04	APPLICATION SPEC	SIZE
2 PLC ±	3 PLC ±	FINISH	WEIGHT	CAGE CODE
4 PLC ±	ANGLES 40°/30°	MATERIAL NYLON UL94V-0, NATURAL	CUSTOMER DRAWING	DRAWING NO A100779C=647412
		SCALE 4:1		SHEET 1 OF 1