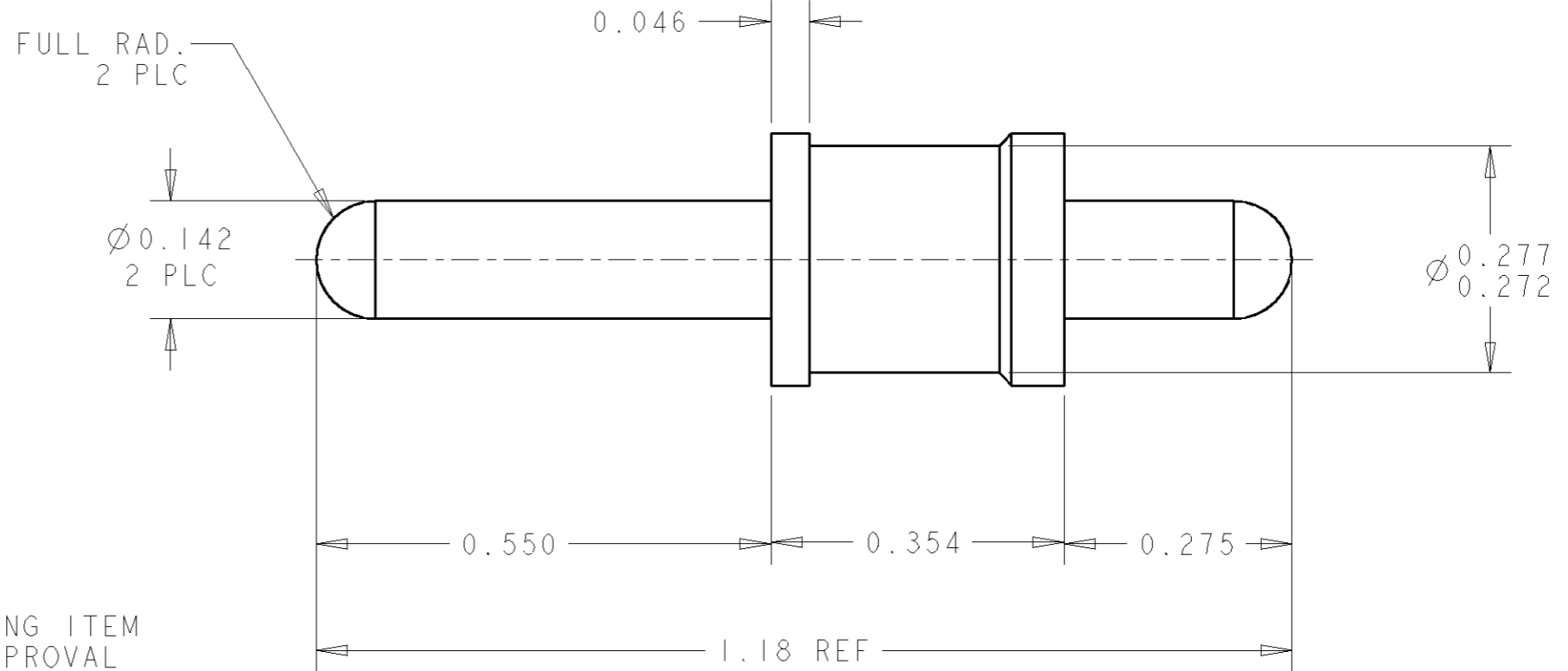
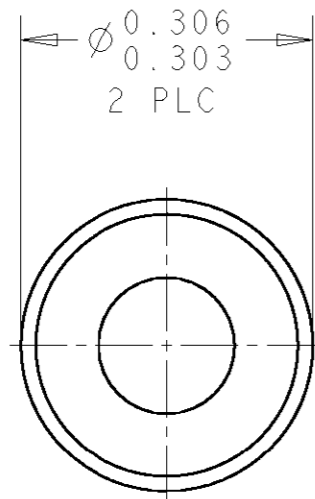


THIS DRAWING IS UNPUBLISHED. RELEASED FOR PUBLICATION 20  
 © COPYRIGHT 20 BY TYCO ELECTRONICS CORPORATION. ALL RIGHTS RESERVED.

LOC	DIST	REVISIONS			
P	LTR	DESCRIPTION	DATE	DWN	APVD
GP	00	A	RELEASED	07SEP2006	RG DO



1. PART NUMBER AND/OR DESIGN CHANGES AFFECTING ITEM INTERCHANGEABILITY REQUIRES PRIOR TYCO APPROVAL AND AUTHORIZATION BY REVISION TO THIS DRAWING.

2 MATERIAL: BRASS ALLOY

3 FINISH:  
 SILVER PLATE .000200 MIN THK. OVER NICKEL  
 .000040 MIN. THK.

4. ITEMS PROVIDED TO THIS SPECIFICATION TO BE PERMANENTLY IDENTIFIED ON THE CONTAINER PER THE FOLLOWING IDENTIFIER:

AS SHOWN	1766262-1
DESCRIPTION	PART NUMBER

TYCO PART NUMBER: XXXXXXXX-X  
 DATE CODE (e.g. 0216): YEAR 1 WEEK 1  
 XXXX

<small>THIS DRAWING IS A CONTROLLED DOCUMENT FOR TYCO ELECTRONICS CORPORATION          IT IS SUBJECT TO CHANGE AND THE CONTROLLING ENGINEERING ORGANIZATION          SHOULD BE CONTACTED FOR THE LATEST REVISION.</small>		DWN 07SEP2006 R.GRZYBOWSKI CHR 07SEP2006 D.ORRIS APVD 07SEP2006 S.FLICKINGER	<b>tyco</b> <b>Electronics</b> Tyco Electronics Harrisburg, PA 17105-3608
DIMENSIONS: INCHES 	TOLERANCES UNLESS OTHERWISE SPECIFIED: 0 PLC ±- 1 PLC ±- 2 PLC ±.01 3 PLC ±.005 4 PLC ±- ANGLES ±3	PRODUCT SPEC - APPLICATION SPEC - WEIGHT -	NAME CONTACT, PIN, SIZE #8 PCB TAIL, .43 FRONT EXT. .27 REAR EXT., DRAWERS
MATERIAL 	FINISH 	SIZE A3	CAGE CODE 00779
ELCON DRAWER		DRAWING NO C-1766262	RESTRICTED TO -
CUSTOMER DRAWING		SCALE 5:1	SHEET 1 OF 1 REV A