

# DAC1205D750

Dual 12-bit DAC, up to 750 Msps; 4x and 8x interpolating

Rev. 05 — 2 July 2012

Product data sheet

## 1. General description

The DAC1205D750 is a high-speed 12-bit dual channel Digital-to-Analog Converter (DAC) with selectable 4x or 8x interpolating filters optimized for multi-carrier wireless transmitters.

Thanks to its digital on-chip modulation, the DAC1205D750 allows the complex I and Q inputs to be converted from BaseBand (BB) to IF. The mixing frequency is adjusted via a Serial Peripheral Interface (SPI) with a 32-bit Numerically Controlled Oscillator (NCO) and the phase is controlled by a 16-bit register.

Two modes of operation are available: separate data ports or a single interleaved high-speed data port. In the Interleaved mode, the input data stream is demultiplexed into its original I and Q data and then latched.

A 4x and 8x clock multiplier enables the DAC1205D750 to provide the appropriate internal clocks from the internal PLL. The internal PLL can be bypassed enabling the use of an external high frequency clock. The voltage regulator enables adjustment of the output full-scale current.

## 2. Features and benefits

- Dual 12-bit resolution
- 750 Msps maximum update rate
- Selectable 4x or 8x interpolation filters
- Input data rate up to 185 Msps
- Very low noise cap-free integrated PLL
- 32-bit programmable NCO frequency
- Dual port or Interleaved data modes
- 1.8 V and 3.3 V power supplies
- LVDS compatible clock
- Two's complement or binary offset data format
- 1.8 V/3.3 V CMOS input data buffers
- IMD3: 74 dBc;  $f_s = 737.28$  Msps;  $f_o = 140$  MHz
- ACPR: 69 dBc; 2-carrier WCDMA;  $f_s = 737.28$  Msps;  $f_o = 153.6$  MHz
- Typical 1.2 W power dissipation at 4x interpolation, PLL off and 740 Msps
- Power-down and Sleep modes
- Differential scalable output current from 1.6 mA to 22 mA
- On-chip 1.29 V reference
- External analog offset control (10-bit auxiliary DACs)
- Internal digital offset control
- Inverse  $x / (\sin x)$  function
- Fully compatible SPI port
- Industrial temperature range from  $-40$  °C to  $+85$  °C



### 3. Applications

- Wireless infrastructure: LTE, WiMAX, GSM, CDMA, WCDMA, TD-SCDMA
- Communication: LMDS/MMDS, point-to-point
- Direct Digital Synthesis (DDS)
- Broadband wireless systems
- Digital radio links
- Instrumentation
- Automated Test Equipment (ATE)

### 4. Ordering information

Table 1. Ordering information

| Type number   | Package  |  |          |
|---------------|----------|--|----------|
|               | Name     | Description  | Version  |
| DAC1205D750HW | HTQFP100 | plastic thermal enhanced thin quad flat package; 100 leads; body 14 × 14 × 1 mm; exposed die pad | SOT638-1 |

## 5. Block diagram

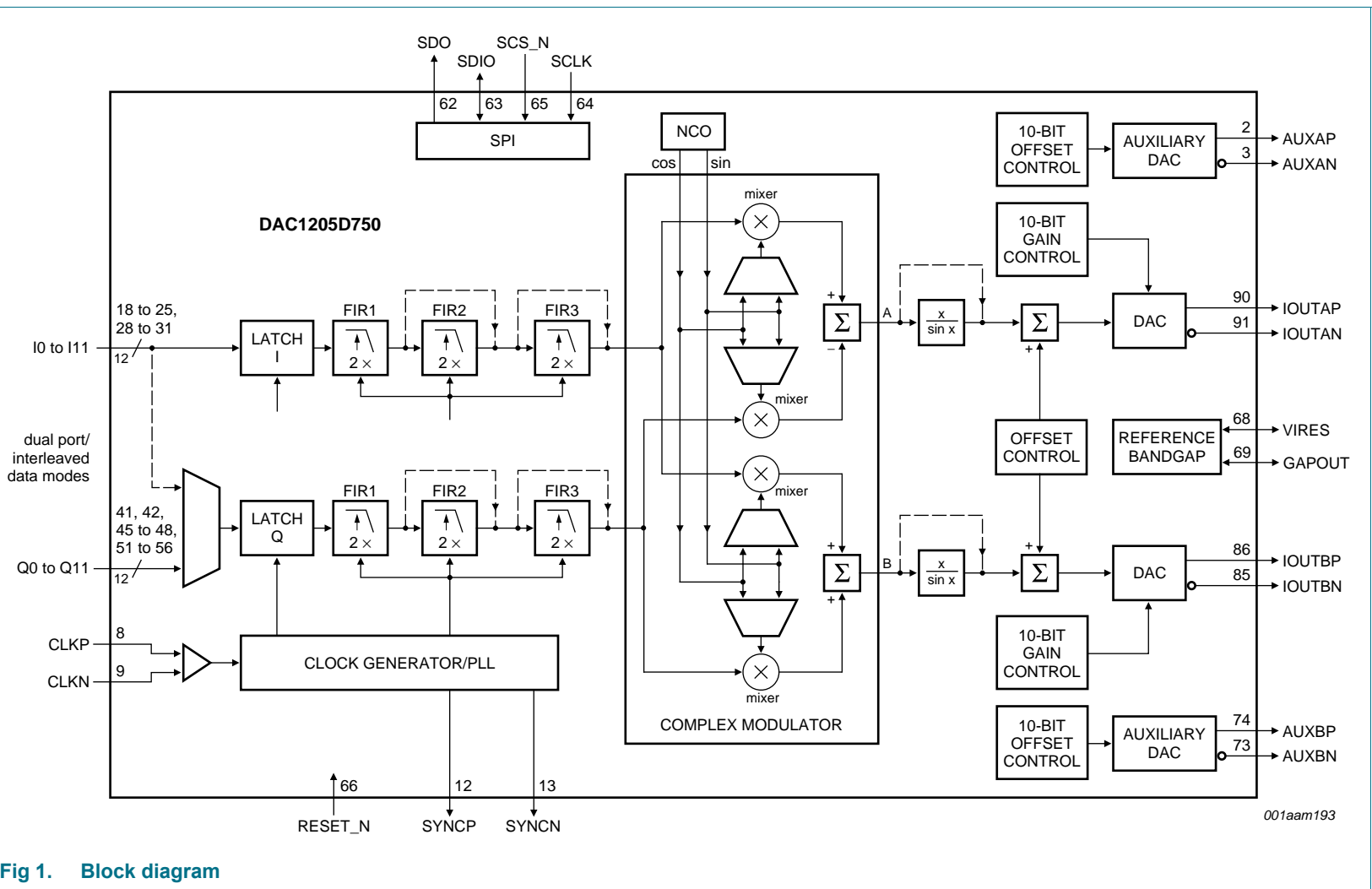
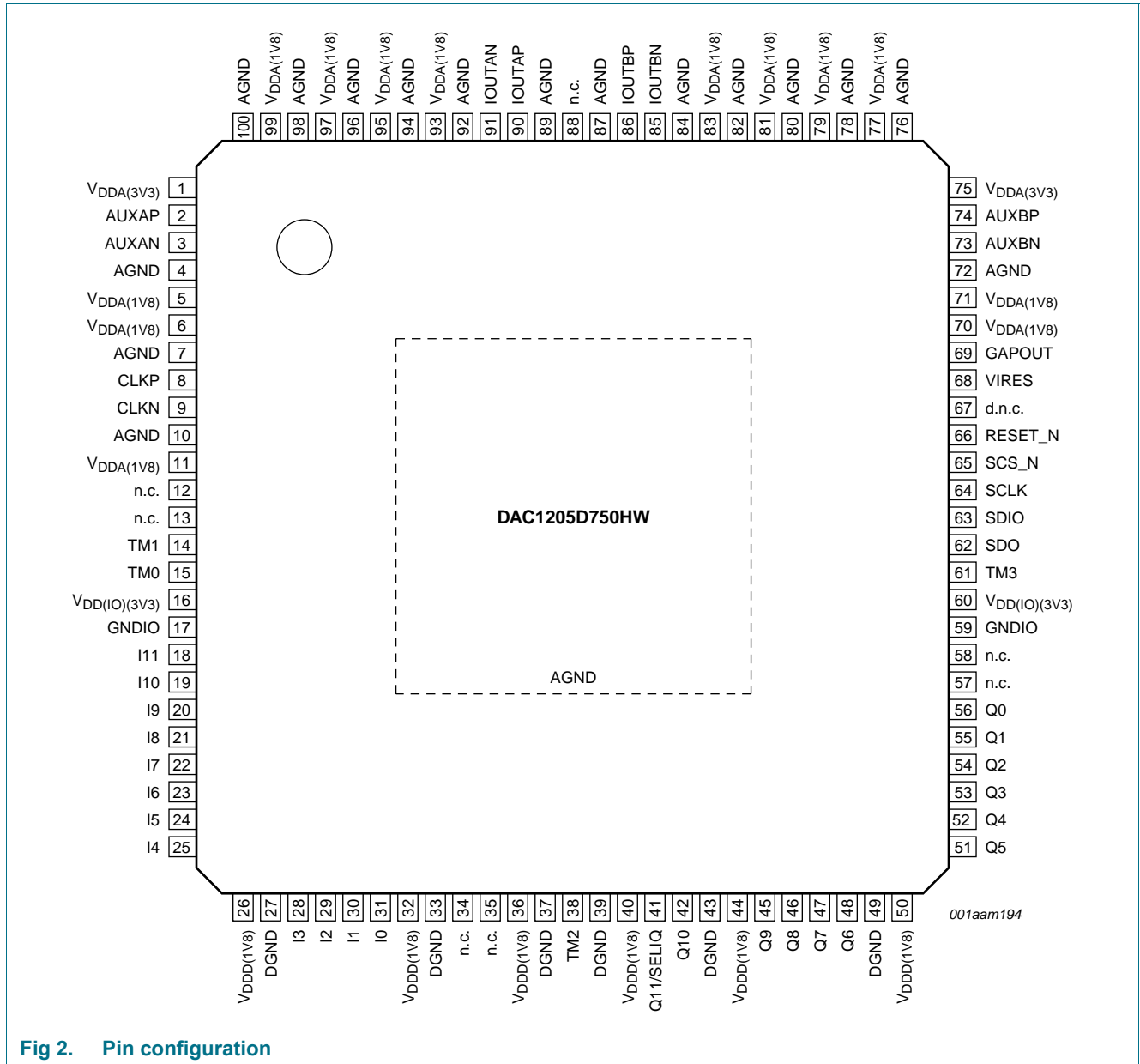


Fig 1. Block diagram

## 6. Pinning information

### 6.1 Pinning



## 6.2 Pin description

**Table 2. Pin description**

| Symbol                   | Pin | Type <sup>[1]</sup> | Description                                  |
|--------------------------|-----|---------------------|--|
| V <sub>DDA(3V3)</sub>    | 1   | P                   | analog supply voltage 3.3 V                  |
| AUXAP                    | 2   | O                   | auxiliary DAC B output current               |
| AUXAN                    | 3   | O                   | complementary auxiliary DAC B output current |
| AGND                     | 4   | G                   | analog ground                                |
| V <sub>DDA(1V8)</sub>    | 5   | P                   | analog supply voltage 1.8 V                  |
| V <sub>DDA(1V8)</sub>    | 6   | P                   | analog supply voltage 1.8 V                  |
| AGND                     | 7   | G                   | analog ground                                |
| CLKP                     | 8   | I                   | clock input                                  |
| CLKN                     | 9   | I                   | complementary clock input                    |
| AGND                     | 10  | G                   | analog ground                                |
| V <sub>DDA(1V8)</sub>    | 11  | P                   | analog supply voltage 1.8 V                  |
| SYNCP                    | 12  | O                   | synchronous clock output                     |
| SYNCP                    | 13  | O                   | complementary synchronous clock output       |
| TM1                      | 14  | I/O                 | test mode 1 (connected to DGND)              |
| TM0                      | 15  | I/O                 | test mode 0 (connected to DGND)              |
| V <sub>DD(IO)(3V3)</sub> | 16  | P                   | input/output buffers supply voltage 3.3 V    |
| GNDIO                    | 17  | G                   | input/output buffers ground                  |
| I11                      | 18  | I                   | I data input bit 11 (MSB)                    |
| I10                      | 19  | I                   | I data input bit 10                          |
| I9                       | 20  | I                   | I data input bit 9                           |
| I8                       | 21  | I                   | I data input bit 8                           |
| I7                       | 22  | I                   | I data input bit 7                           |
| I6                       | 23  | I                   | I data input bit 6                           |
| I5                       | 24  | I                   | I data input bit 5                           |
| I4                       | 25  | I                   | I data input bit 4                           |
| V <sub>DDD(1V8)</sub>    | 26  | P                   | digital supply voltage 1.8 V                 |
| DGND                     | 27  | G                   | digital ground                               |
| I3                       | 28  | I                   | I data input bit 3                           |
| I2                       | 29  | I                   | I data input bit 2                           |
| I1                       | 30  | I                   | I data input bit 1                           |
| I0                       | 31  | I                   | I data input bit 0 (LSB)                     |
| V <sub>DDD(1V8)</sub>    | 32  | P                   | digital supply voltage 1.8 V                 |
| DGND                     | 33  | G                   | digital ground                               |
| n.c.                     | 34  |                     | not connected                                |
| n.c.                     | 35  |                     | not connected                                |
| V <sub>DDD(1V8)</sub>    | 36  | P                   | digital supply voltage 1.8 V                 |
| DGND                     | 37  | G                   | digital ground                               |
| TM2                      | 38  | -                   | test mode 2 (to connect to DGND)             |
| DGND                     | 39  | G                   | digital ground                               |

Table 2. Pin description ...continued

| Symbol                   | Pin | Type <sup>[1]</sup> | Description   |
|--------------------------|-----|---------------------|---|
| V <sub>DDD(1V8)</sub>    | 40  | P                   | digital supply voltage 1.8 V                            |
| Q11/SELIQ                | 41  | I                   | Q data input bit 11 (MSB)/select IQ in Interleaved mode |
| Q10                      | 42  | I                   | Q data input bit 10                                     |
| DGND                     | 43  | G                   | digital ground  |
| V <sub>DDD(1V8)</sub>    | 44  | P                   | digital supply voltage 1.8 V                            |
| Q9                       | 45  | I                   | Q data input bit 9                                      |
| Q8                       | 46  | I                   | Q data input bit 8                                      |
| Q7                       | 47  | I                   | Q data input bit 7                                      |
| Q6                       | 48  | I                   | Q data input bit 6                                      |
| DGND                     | 49  | G                   | digital ground  |
| V <sub>DDD(1V8)</sub>    | 50  | P                   | digital supply voltage 1.8 V                            |
| Q5                       | 51  | I                   | Q data input bit 5                                      |
| Q4                       | 52  | I                   | Q data input bit 4                                      |
| Q3                       | 53  | I                   | Q data input bit 3                                      |
| Q2                       | 54  | I                   | Q data input bit 2                                      |
| Q1                       | 55  | I                   | Q data input bit 1                                      |
| Q0                       | 56  | I                   | Q data input bit 0 (LSB)                                |
| n.c.                     | 57  | I                   | not connected   |
| n.c.                     | 58  | I                   | not connected   |
| GNDIO                    | 59  | G                   | input/output buffers ground                             |
| V <sub>DD(IO)(3V3)</sub> | 60  | P                   | input/output buffers supply voltage 3.3 V               |
| TM3                      | 61  | I/O                 | test mode 3 (to connect to DGND)                        |
| SDO                      | 62  | O                   | SPI data output   |
| SDIO                     | 63  | I/O                 | SPI data input/output                                   |
| SCLK                     | 64  | I                   | SPI clock input   |
| SCS_N                    | 65  | I                   | SPI chip select (active LOW)                            |
| RESET_N                  | 66  | I                   | general reset (active LOW)                              |
| d.n.c.                   | 67  | -                   | do not connect  |
| VIRES                    | 68  | I/O                 | DAC biasing resistor                                    |
| GAPOUT                   | 69  | I/O                 | bandgap input/output voltage                            |
| V <sub>DDA(1V8)</sub>    | 70  | P                   | analog supply voltage 1.8 V                             |
| V <sub>DDA(1V8)</sub>    | 71  | P                   | analog supply voltage 1.8 V                             |
| AGND                     | 72  | G                   | analog ground   |
| AUXBN                    | 73  | O                   | auxiliary DAC B output current                          |
| AUXBP                    | 74  | O                   | complementary auxiliary DAC B output current            |
| V <sub>DDA(3V3)</sub>    | 75  | P                   | analog supply voltage 3.3 V                             |
| AGND                     | 76  | G                   | analog ground   |
| V <sub>DDA(1V8)</sub>    | 77  | P                   | analog supply voltage 1.8 V                             |
| AGND                     | 78  | G                   | analog ground   |
| V <sub>DDA(1V8)</sub>    | 79  | P                   | analog supply voltage 1.8 V                             |
| AGND                     | 80  | G                   | analog ground   |

Table 2. Pin description ...continued

| Symbol                | Pin              | Type <sup>[1]</sup> | Description                        |
|-----------------------|------------------|---------------------|------------------------------------|
| V <sub>DDA(1V8)</sub> | 81               | P                   | analog supply voltage 1.8 V        |
| AGND                  | 82               | G                   | analog ground                      |
| V <sub>DDA(1V8)</sub> | 83               | P                   | analog supply voltage 1.8 V        |
| AGND                  | 84               | G                   | analog ground                      |
| IOUTBN                | 85               | O                   | complementary DAC B output current |
| IOUTBP                | 86               | O                   | DAC B output current               |
| AGND                  | 87               | G                   | analog ground                      |
| n.c.                  | 88               | -                   | not connected                      |
| AGND                  | 89               | G                   | analog ground                      |
| IOUTAP                | 90               | O                   | DAC A output current               |
| IOUTAN                | 91               | O                   | complementary DAC A output current |
| AGND                  | 92               | G                   | analog ground                      |
| V <sub>DDA(1V8)</sub> | 93               | P                   | analog supply voltage 1.8 V        |
| AGND                  | 94               | G                   | analog ground                      |
| V <sub>DDA(1V8)</sub> | 95               | P                   | analog supply voltage 1.8 V        |
| AGND                  | 96               | G                   | analog ground                      |
| V <sub>DDA(1V8)</sub> | 97               | P                   | analog supply voltage 1.8 V        |
| AGND                  | 98               | G                   | analog ground                      |
| V <sub>DDA(1V8)</sub> | 99               | P                   | analog supply voltage 1.8 V        |
| AGND                  | 100              | G                   | analog ground                      |
| AGND                  | H <sup>[2]</sup> | G                   | analog ground                      |

- [1] P = power supply  
 G = ground  
 I = input  
 O = output.

- [2] H = heatsink (exposed die pad to be soldered)

## 7. Limiting values

**Table 3. Limiting values**

In accordance with the Absolute Maximum Rating System (IEC 60134).

| Symbol            | Parameter                           | Conditions  | Min  | Max  | Unit |
|-------------------|-------------------------------------|---|------|------|------|
| $V_{DD(I0)(3V3)}$ | input/output supply voltage (3.3 V) |   | -0.5 | +4.6 | V    |
| $V_{DDA(3V3)}$    | analog supply voltage (3.3 V)       |   | -0.5 | +4.6 | V    |
| $V_{DDA(1V8)}$    | analog supply voltage (1.8 V)       |   | -0.5 | +3.0 | V    |
| $V_{DDD(1V8)}$    | digital supply voltage (1.8 V)      |   | -0.5 | +3.0 | V    |
| $V_I$             | input voltage                       | pins CLKP, CLKN, VIRES and GAPOUT referenced to pin AGND                                  | -0.5 | +3.0 | V    |
|                   |                                     | pins I11 to I0, Q11 to Q0, SDO, SDIO, SCLK, SCS_N and RESET_N referenced to GNDIO         | -0.5 | +4.6 | V    |
| $V_O$             | output voltage                      | pins IOUTAP, IOUTAN, IOUTBP, IOUTBN, AUXAP, AUXAN, AUXBP and AUXBN referenced to pin AGND | -0.5 | +4.6 | V    |
|                   |                                     | pins SYNCP and SYNCN referenced to pin AGND   | -0.5 | +3.0 | V    |
| $T_{stg}$         | storage temperature                 |   | -55  | +150 | °C   |
| $T_{amb}$         | ambient temperature                 |   | -40  | +85  | °C   |
| $T_j$             | junction temperature                |   | -    | 125  | °C   |

## 8. Thermal characteristics

**Table 4. Thermal characteristics**

| Symbol        | Parameter                                   | Conditions | Typ      | Unit |
|---------------|---|------------|----------|------|
| $R_{th(j-a)}$ | thermal resistance from junction to ambient |            | [1] 19.8 | K/W  |
| $R_{th(j-c)}$ | thermal resistance from junction to case    |            | [1] 7.7  | K/W  |

[1] In compliance with JEDEC test board, in free air.



## 9. Characteristics

**Table 5. Characteristics**

$V_{DDA(1V8)} = V_{DDD(1V8)} = 1.8\text{ V}$ ;  $V_{DDA(3V3)} = V_{DD(IO)(3V3)} = 3.3\text{ V}$ ; AGND, DGND and GNDIO shorted together;  $T_{amb} = -40\text{ }^{\circ}\text{C}$  to  $+85\text{ }^{\circ}\text{C}$ ; typical values measured at  $T_{amb} = 25\text{ }^{\circ}\text{C}$ ;  $R_L = 50\text{ }\Omega$  differential;  $I_{O(fs)} = 20\text{ mA}$ ; PLL off unless otherwise specified.

| Symbol            | Parameter                           | Conditions  | Test <sup>[1]</sup> | Min | Typ  | Max  | Unit |
|-------------------|-------------------------------------|---|---------------------|-----|------|------|------|
| $V_{DD(IO)(3V3)}$ | input/output supply voltage (3.3 V) |   | I                   | 3.0 | 3.3  | 3.6  | V    |
| $V_{DDA(3V3)}$    | analog supply voltage (3.3 V)       |   | I                   | 3.0 | 3.3  | 3.6  | V    |
| $V_{DDA(1V8)}$    | analog supply voltage (1.8 V)       |   | I                   | 1.7 | 1.8  | 1.9  | V    |
| $V_{DDD(1V8)}$    | digital supply voltage (1.8 V)      |   | I                   | 1.7 | 1.8  | 1.9  | V    |
| $I_{DD(IO)(3V3)}$ | input/output supply current (3.3 V) | $f_o = 19\text{ MHz}$ ;<br>$f_s = 740\text{ Msps}$ ;<br>4× interpolation;<br>NCO on | I                   | -   | 0.5  | 0.7  | mA   |
| $I_{DDA(3V3)}$    | analog supply current (3.3 V)       | $f_o = 19\text{ MHz}$ ;<br>$f_s = 740\text{ Msps}$ ;<br>4× interpolation;<br>NCO on | I                   | -   | 44   | 50   | mA   |
| $I_{DDD(1V8)}$    | digital supply current (1.8 V)      | $f_o = 19\text{ MHz}$ ;<br>$f_s = 740\text{ Msps}$ ;<br>4× interpolation;<br>NCO on | I                   | -   | 181  | 210  | mA   |
| $I_{DDA(1V8)}$    | analog supply current (1.8 V)       | $f_o = 19\text{ MHz}$ ;<br>$f_s = 740\text{ Msps}$ ;<br>4× interpolation;<br>NCO on | I                   | -   | 360  | 391  | mA   |
| $I_{DDD}$         | digital supply current              | for x / (sin x) function only   | I                   | -   | 70   | -    | mA   |
| $P_{tot}$         | total power dissipation             | $f_o = 19\text{ MHz}$ ; $f_s = 740\text{ Msps}$<br>4× interpolation                 |                     |     |      |      |      |
|                   |                                     | NCO off; DAC B off  | C                   | -   | 0.74 | -    | W    |
|                   |                                     | NCO off   | C                   | -   | 0.89 | -    | W    |
|                   |                                     | NCO on; all $V_{DD}$  | C                   | -   | 1.12 | 1.32 | W    |
|                   |                                     | 8× interpolation  |                     |     |      |      |      |
|                   |                                     | NCO on  | I                   | -   | 1.11 | -    | W    |
|                   |                                     | Power-down mode:  |                     |     |      |      |      |
|                   |                                     | full power-down;<br>all $V_{DD}$  | I                   | -   | 0.03 | 0.06 | W    |
|                   |                                     | DAC A and DAC B<br>Sleep mode; NCO on   | I                   | -   | 0.63 | -    | W    |

**Table 5. Characteristics ...continued**

$V_{DDA(1V8)} = V_{DDD(1V8)} = 1.8\text{ V}$ ;  $V_{DDA(3V3)} = V_{DD(1O)(3V3)} = 3.3\text{ V}$ ; AGND, DGND and GNDIO shorted together;  
 $T_{amb} = -40\text{ °C to }+85\text{ °C}$ ; typical values measured at  $T_{amb} = 25\text{ °C}$ ;  $R_L = 50\text{ }\Omega$  differential;  $I_{O(fs)} = 20\text{ mA}$ ; PLL off unless otherwise specified.

| Symbol  | Parameter                            | Conditions                                 | Test <sup>[1]</sup> | Min                 | Typ                   | Max               | Unit                    |
|---|--------------------------------------|--|---------------------|---------------------|-----------------------|-------------------|-------------------------|
| <b>Clock inputs (CLKP and CLKN)<sup>[2]</sup></b>               |                                      |  |                     |                     |                       |                   |                         |
| $V_i$   | input voltage                        | CLKN $ V_{gpd}  < 50\text{ mV}$ or<br>CLKP | C                   | <sup>[3]</sup> 825  | -                     | 1575              | mV                      |
| $V_{idth}$  | input differential threshold voltage | $ V_{gpd}  < 50\text{ mV}$                 | C                   | <sup>[3]</sup> -100 | -                     | +100              | mV                      |
| $R_i$   | input resistance                     |  | D                   | -                   | 10                    | -                 | M $\Omega$              |
| $C_i$   | input capacitance                    |  | D                   | -                   | 0.5                   | -                 | pF                      |
| <b>Clock outputs (SYNCP and SYNCN)</b>                          |                                      |  |                     |                     |                       |                   |                         |
| $V_{o(cm)}$   | common-mode output voltage           |  | C                   | -                   | $V_{DDA(1V8)}$<br>0.3 | -                 | V                       |
| $V_{O(dif)}$  | differential output voltage          |  | C                   | -                   | 1.2                   | -                 | V                       |
| $R_o$   | output resistance                    |  | D                   | -                   | 80                    | -                 | $\Omega$                |
| <b>Digital inputs (I0 to I11, Q0 to Q11)</b>                    |                                      |  |                     |                     |                       |                   |                         |
| $V_{IL}$  | LOW-level input voltage              |  | C                   | GNDIO               | -                     | 0.8               | V                       |
| $V_{IH}$  | HIGH-level input voltage             |  | C                   | 1.6                 | -                     | $V_{DD(1O)(3V3)}$ | V                       |
| $I_{IL}$  | LOW-level input current              | $V_{IL} = 0.8\text{ V}$                    | I                   | -                   | 60                    | -                 | $\mu\text{A}$           |
| $I_{IH}$  | HIGH-level input current             | $V_{IH} = 2.3\text{ V}$                    | I                   | -                   | 80                    | -                 | $\mu\text{A}$           |
| <b>Digital inputs (SDO, SDIO, SCLK, SCS_N and RESET_N)</b>      |                                      |  |                     |                     |                       |                   |                         |
| $V_{IL}$  | LOW-level input voltage              |  | C                   | GNDIO               | -                     | 1.0               | V                       |
| $V_{IH}$  | HIGH-level input voltage             |  | C                   | 2.3                 | -                     | $V_{DD(1O)(3V3)}$ | V                       |
| $I_{IL}$  | LOW-level input current              | $V_{IL} = 1.0\text{ V}$                    | I                   | -                   | 20                    | -                 | nA                      |
| $I_{IH}$  | HIGH-level input current             | $V_{IH} = 2.3\text{ V}$                    | I                   | -                   | 20                    | -                 | nA                      |
| <b>Analog outputs (IOUTAP, IOUTAN, IOUTBP and IOUTBN)</b>       |                                      |  |                     |                     |                       |                   |                         |
| $I_{O(fs)}$   | full-scale output current            | register value = 00h                       | C                   | -                   | 1.6                   | -                 | mA                      |
|   |                                      | default register                           | C                   | -                   | 20                    | -                 | mA                      |
| $V_O$   | output voltage                       | compliance range                           | C                   | 1.8                 | -                     | $V_{DDA(3V3)}$    | V                       |
| $R_o$   | output resistance                    |  | D                   | -                   | 250                   | -                 | k $\Omega$              |
| $C_o$   | output capacitance                   |  | D                   | -                   | 3                     | -                 | pF                      |
| $\Delta E_O$  | offset error variation               |  | C                   | -                   | 6                     | -                 | ppm/ $^{\circ}\text{C}$ |
| $\Delta E_G$  | gain error variation                 |  | C                   | -                   | 18                    | -                 | ppm/ $^{\circ}\text{C}$ |
| <b>Reference voltage output (GAPOUT)</b>                        |                                      |  |                     |                     |                       |                   |                         |
| $V_{O(ref)}$  | reference output voltage             | $T_{amb} = 25\text{ }^{\circ}\text{C}$     | I                   | 1.24                | 1.29                  | 1.34              | V                       |
| $\Delta V_{O(ref)}$   | reference output voltage variation   |  | C                   | -                   | 117                   | -                 | ppm/ $^{\circ}\text{C}$ |
| $I_{O(ref)}$  | reference output current             | external voltage 1.25 V                    | D                   | -                   | 40                    | -                 | $\mu\text{A}$           |
| <b>Analog auxiliary outputs (AUXAP, AUXAN, AUXBP and AUXBN)</b> |                                      |  |                     |                     |                       |                   |                         |
| $I_{O(aux)}$  | auxiliary output current             | differential outputs                       | I                   | -                   | 2.2                   | -                 | mA                      |
| $V_{O(aux)}$  | auxiliary output voltage             | compliance range                           | C                   | 0                   | -                     | 2                 | V                       |
| $N_{DAC(aux)mon}$   | auxiliary DAC monotonicity           | guaranteed                                 | D                   | -                   | 10                    | -                 | bit                     |

Table 5. Characteristics ...continued

$V_{DDA(1V8)} = V_{DDD(1V8)} = 1.8\text{ V}$ ;  $V_{DDA(3V3)} = V_{DD(1O)(3V3)} = 3.3\text{ V}$ ; AGND, DGND and GNDIO shorted together;  
 $T_{amb} = -40\text{ °C to }+85\text{ °C}$ ; typical values measured at  $T_{amb} = 25\text{ °C}$ ;  $R_L = 50\ \Omega$  differential;  $I_{O(fs)} = 20\text{ mA}$ ; PLL off unless otherwise specified.

| Symbol                               | Parameter  | Conditions   | Test <sup>[1]</sup> | Min  | Typ     | Max | Unit  |
|--------------------------------------|--|--|---------------------|------|---------|-----|-------|
| <b>Input timing (see Figure 10)</b>  |  |  |                     |      |         |     |       |
| $f_{data}$                           | data rate  | Dual-port mode input   | C                   | -    | -       | 185 | MHz   |
| $t_{w(CLK)}$                         | CLK pulse width                                  |  | C                   | 40   | -       | 60  | %     |
| $t_{h(i)}$                           | input hold time                                  |  | C                   | 1.6  | -       | -   | ns    |
| $t_{su(i)}$                          | input set-up time                                |  | C                   | 0.8  | -       | -   | ns    |
| <b>SYNC signal</b>                   |  |  |                     |      |         |     |       |
| $t_d$                                | delay time                                       | $f_{SYNC} = f_s / 4$   | C                   | -    | 0.21    | -   | ns    |
|                                      |  | $f_{SYNC} = f_s / 8$   | C                   | -    | 0.3     | -   | ns    |
|                                      |  | variation  | C                   | -    | 0.27    | -   | ps/°C |
| <b>Output timing</b>                 |  |  |                     |      |         |     |       |
| $f_s$                                | sampling frequency                               |  | C                   | -    | -       | 750 | Msps  |
| $t_s$                                | settling time                                    | to $\pm 0.5$ LSB   | D                   | -    | 20      | -   | ns    |
| <b>NCO frequency range</b>           |  |  |                     |      |         |     |       |
| $f_{NCO}$                            | NCO frequency                                    | register values  |                     |      |         |     |       |
|                                      |  | 00000000h  | D                   | -    | 0       | -   | MHz   |
|                                      |  | FFFFFFFFh  | D                   | -    | 740     | -   | MHz   |
| $f_{step}$                           | step frequency                                   |  | D                   | -    | 0.172   | -   | Hz    |
| <b>Low-power NCO frequency range</b> |  |  |                     |      |         |     |       |
| $f_{NCO}$                            | NCO frequency                                    | register values  |                     |      |         |     |       |
|                                      |  | 00000000h  | D                   | -    | 0       | -   | MHz   |
|                                      |  | F8000000h  | D                   | -    | 716.875 | -   | MHz   |
| $f_{step}$                           | step frequency                                   |  | D                   | -    | 23.125  | -   | MHz   |
| <b>Dynamic performance</b>           |  |  |                     |      |         |     |       |
| SFDR                                 | spurious-free dynamic range                      | $f_s = 737.28\text{ Msps}$   |                     |      |         |     |       |
|                                      |  | $f_{data} = 92.16\text{ MHz}$ ; $B = f_{data} / 2$   |                     |      |         |     |       |
|                                      |  | $f_o = 4\text{ MHz}$ ; 0 dBFS  | C                   | -    | 77      | -   | dBc   |
|                                      |  | $f_{data} = 184.32\text{ MHz}$ ; $B = f_{data} / 2$  |                     |      |         |     |       |
| SFDR <sub>RBW</sub>                  | restricted bandwidth spurious-free dynamic range | $f_o = 19\text{ MHz}$ ; 0 dBFS   | I                   | -    | 74      | -   | dBc   |
|                                      |  | $f_o = 70\text{ MHz}$ ; 0 dBFS   | C                   | -    | 86      | -   | dBc   |
|                                      |  | $f_o = 153.6\text{ MHz}$ ; 0 dBFS; $f_{data} = 184.32\text{ MHz}$ ; $f_s = 737.28\text{ Msps}$ |                     |      |         |     |       |
|                                      |  | $B = 20\text{ MHz}$  | C                   | -    | 86      | -   | dBc   |
|                                      | $B = 100\text{ MHz}$                             | C  | -                   | 80.5 | -       | dBc |       |
|                                      | $B = 20\text{ MHz}$ ; 8-tone; 500 kHz spacing    | C  | -                   | 76   | -       | dBc |       |

**Table 5. Characteristics ...continued**

$V_{DDA(1V8)} = V_{DDD(1V8)} = 1.8\text{ V}$ ;  $V_{DDA(3V3)} = V_{DD(1O)(3V3)} = 3.3\text{ V}$ ; AGND, DGND and GNDIO shorted together;  
 $T_{amb} = -40\text{ °C to }+85\text{ °C}$ ; typical values measured at  $T_{amb} = 25\text{ °C}$ ;  $R_L = 50\text{ }\Omega$  differential;  $I_{O(fs)} = 20\text{ mA}$ ; PLL off unless otherwise specified.

| Symbol                                 | Parameter                              | Conditions   | Test <sup>[1]</sup>    | Min   | Typ  | Max | Unit    |   |         |
|--|--|--|------------------------|---|------|-----|---------|---|---------|
| IMD3                                   | third-order intermodulation distortion | $f_{data} = 184.32\text{ MHz}$ ; $f_s = 737.28\text{ Msps}$                            |                        |   |      |     |         |   |         |
|  |  | $f_{o1} = 95\text{ MHz}$ ;<br>$f_{o2} = 97\text{ MHz}$                                 | C                      | [4] -   | 77   | -   | dBc     |   |         |
|  |  | $f_{o1} = 137\text{ MHz}$ ;<br>$f_{o2} = 143\text{ MHz}$                               | C                      | [4] -   | 74   | -   | dBc     |   |         |
|  |  | $f_{o1} = 152.5\text{ MHz}$ ;<br>$f_{o2} = 153.5\text{ MHz}$                           | I                      | [4] -   | 74   | -   | dBc     |   |         |
| ACPR                                   | adjacent channel power ratio           | $f_{data} = 184.32\text{ MHz}$ ; $f_s = 737.28\text{ Msps}$ ; $f_o = 96\text{ MHz}$    |                        |   |      |     |         |   |         |
|  |  | 1-carrier; B = 5 MHz   | I                      | -   | 73   | -   | dBc     |   |         |
|  |  | 2-carrier; B = 10 MHz  | C                      | -   | 70   | -   | dBc     |   |         |
|  |  | 4-carrier; B = 20 MHz  | C                      | -   | 68   | -   | dBc     |   |         |
|  |  | $f_{data} = 184.32\text{ MHz}$ ; $f_s = 737.28\text{ Msps}$ ; $f_o = 153.6\text{ MHz}$ |                        |   |      |     |         |   |         |
|  |  | 1-carrier; B = 5 MHz   | C                      | -   | 72   | -   | dBc     |   |         |
|  |  | 2-carrier; B = 10 MHz  | C                      | -   | 69   | -   | dBc     |   |         |
|  |  | 4-carrier; B = 20 MHz  | C                      | -   | 66.5 | -   | dBc     |   |         |
|  |  | NSD  | noise spectral density | $f_{data} = 184.32\text{ MHz}$ ; $f_s = 737.28\text{ Msps}$ |      |     |         |   |         |
|  |  |  |                        | $f_o = 19\text{ MHz}$ ; 0 dBFS                              | C    | -   | -157    | - | dBFS/Hz |
| $f_o = 153.6\text{ MHz}$ ;<br>0 dBFS;  | C                                      |  |                        | -   | -155 | -   | dBFS/Hz |   |         |
| $f_o = 153.6\text{ MHz}$ ;<br>-10 dBFS | C                                      |  |                        | -   | -157 | -   | dBFS/Hz |   |         |

[1] D = guaranteed by design; C = guaranteed by characterization; I = 100 % industrially tested.

[2] CLKP and CLKN inputs are at differential LVDS levels. An external differential resistor with a value of between 80  $\Omega$  and 120  $\Omega$  should be connected across the pins (see Figure 8).

[3]  $|V_{gpd}|$  represents the ground potential difference voltage. This is the voltage that results from current flowing through the finite resistance and the inductance between the receiver and the driver circuit ground voltages.

[4] IMD3 rejection with -6 dBFS/tone.

## 10. Application information

### 10.1 General description

The DAC1205D750 is a dual 12-bit DAC which operates at up to 750 Msps. Each DAC consists of a segmented architecture, comprising a 6-bit thermometer sub-DAC and an 6-bit binary weighted sub-DAC.

The input data rate of up to 185 MHz combined with the maximum output sampling rate of 750 Msps make the DAC1205D750 extremely flexible in wide bandwidth and multi-carrier systems. The device's quadrature modulator and 32-bit NCO simplifies system frequency selection. This is also possible because the 4× and 8× interpolation filters remove undesired images.

A SYNC signal is provided to synchronize data when the PLL is in the off state.

Two modes are available for the digital input. In Dual-port mode, each DAC uses its own data input line. In Interleaved mode, both DACs use the same data input line.

The on-chip PLL enables generation of the internal clock signals for the digital circuitry and the DAC from a low speed clock. The PLL can be bypassed enabling the use of an external, high-speed clock.

Each DAC generates two complementary current outputs on pins IOUTAP/IOUTAN and IOUTBP/IOUTBN. This provides a full-scale output current ( $I_{O(fs)}$ ) up to 22 mA. An internal reference is available for the reference current which is externally adjustable using pin VIRES.

There are also some embedded features to provide an analog offset correction (auxiliary DACs) and digital offset control as well as for gain adjustment. All the functions can be set using the SPI.

The DAC1205D750 operates at both 3.3 V and 1.8 V each of which has separate digital and analog power supplies. The digital input is 1.8 V and 3.3 V compliant and the clock input is LVDS compliant.

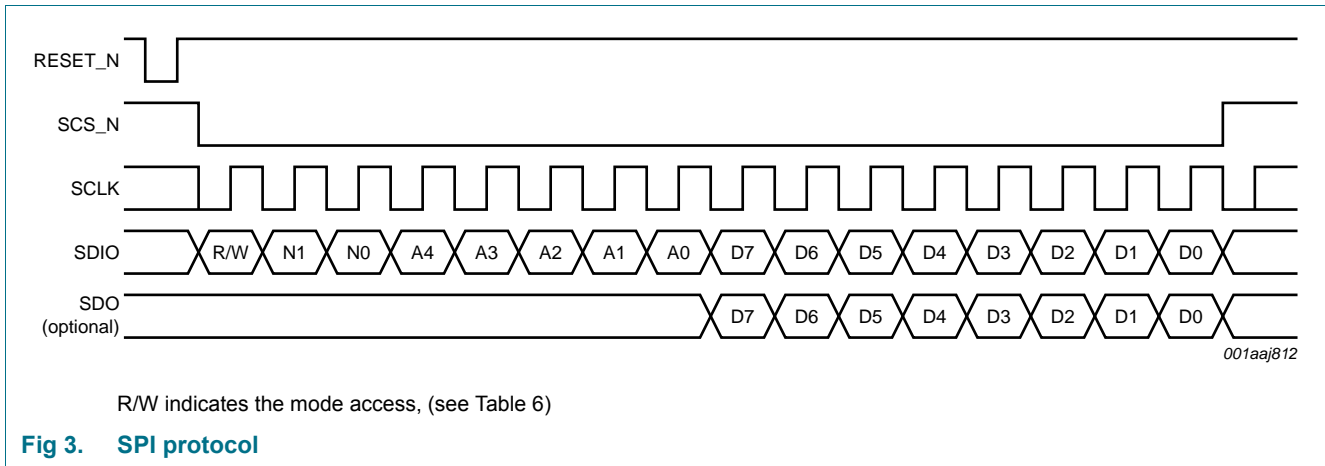
### 10.2 Serial peripheral interface

#### 10.2.1 Protocol description

The DAC1205D750 Serial Peripheral Interface (SPI) is a synchronous serial communication port allowing easy interfacing with many industry microprocessors. It provides access to the registers that define the operating modes of the chip in both write and read modes.

This interface can be configured as a 3-wire type (SDIO as a bidirectional pin) or a 4-wire type (SDIO and SDO as unidirectional pins, input and output port respectively). In both configurations, SCLK acts as the serial clock and SCS\_N acts as the serial chip select bar. If several DAC1205D750 devices are connected to an application on the same SPI-bus, only a 3-wire type can be used.

Each read/write operation is sequenced by the SCS\_N signal and enabled by a LOW assertion to drive the chip with 1 to 4 bytes, depending on the content of the instruction byte (see Table 7).



**Table 6. Read or Write mode access description**

| R/W | Description          |
|-----|----------------------|
| 0   | Write mode operation |
| 1   | Read mode operation  |

In Table 7 N1 and N0 indicate the number of bytes transferred after the instruction byte.

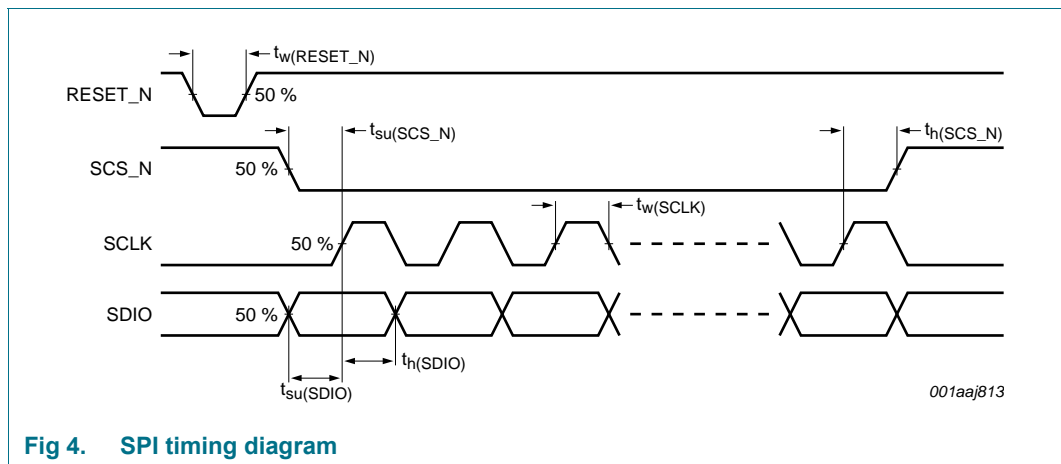
**Table 7. Number of bytes transferred**

| N1 | N0 | Number of bytes     |
|----|----|---------------------|
| 0  | 0  | 1 byte transferred  |
| 0  | 1  | 2 bytes transferred |
| 1  | 0  | 3 bytes transferred |
| 1  | 1  | 4 bytes transferred |

A0 to A4: indicate which register is being addressed. In the case of a multiple transfer, this address concerns the first register after which the next registers follow directly in a decreasing order according to Table 9 “Register allocation map”.

**10.2.2 SPI timing description**

The interface can operate at a frequency of up to 15 MHz. The SPI timing is shown in Figure 4.



**Fig 4. SPI timing diagram**

The SPI timing characteristics are given in Table 8.

**Table 8. SPI timing characteristics**

| Symbol                   | Parameter           | Min | Typ | Max | Unit |
|--------------------------|---------------------|-----|-----|-----|------|
| $f_{\text{SCLK}}$        | SCLK frequency      | -   | -   | 15  | MHz  |
| $t_{\text{w(SCLK)}}$     | SCLK pulse width    | 30  | -   | -   | ns   |
| $t_{\text{su(SCS\_N)}}$  | SCS_N set-up time   | 20  | -   | -   | ns   |
| $t_{\text{h(SCS\_N)}}$   | SCS_N hold time     | 20  | -   | -   | ns   |
| $t_{\text{su(SDIO)}}$    | SDIO set-up time    | 10  | -   | -   | ns   |
| $t_{\text{h(SDIO)}}$     | SDIO hold time      | 5   | -   | -   | ns   |
| $t_{\text{w(RESET\_N)}}$ | RESET_N pulse width | 30  | -   | -   | ns   |

### 10.2.3 Detailed descriptions of registers

An overview of the details for all registers is provided in Table 9.

Table 9. Register allocation map

| Address |     | Register name | R/W | Bit definition         |             |                   |                      |                    |        |                    |        |          | Default   |             |          |   |    |
|---------|-----|---------------|-----|------------------------|-------------|-------------------|----------------------|--------------------|--------|--------------------|--------|----------|-----------|-------------|----------|---|----|
| Dec     | Hex |               |     | Bit 7                  | Bit 6       | Bit 5             | Bit 4                | Bit 3              | Bit 2  | Bit 1              | Bit 0  | Bin      | Dec       | Hex         |          |   |    |
| 0       | 00h | COMMon        | R/W | 3W_SPI                 | SPI_RST     | CLK_SEL           | -                    | MODE_SEL           | CODING | IC_PD              | GAP_PD | 10000000 | 128       | 80          |          |   |    |
| 1       | 01h | TXCFG         | R/W | NCO_ON                 | NCO_LP_SEL  | INV_SIN_SEL       | MODULATION[2:0]      |                    |        | INTERPOLATION[1:0] |        | 10000111 | 135       | 87          |          |   |    |
| 2       | 02h | PLLCFG        | R/W | PLL_PD                 | -           | PLL_DIV_PD        | PLL_DIV[1:0]         | DAC_CLK_DELAY[1:0] |        | DAC_CLK_POL        |        | 00010000 | 16        | 10          |          |   |    |
| 3       | 03h | FREQNCO_LSB   | R/W | FREQ_NCO[7:0]          |             |                   |                      |                    |        |                    |        |          | 01100110  | 102         | 66       |   |    |
| 4       | 04h | FREQNCO_LISB  | R/W | FREQ_NCO[15:8]         |             |                   |                      |                    |        |                    |        |          | 01100110  | 102         | 66       |   |    |
| 5       | 05h | FREQNCO_UISB  | R/W | FREQ_NCO[23:16]        |             |                   |                      |                    |        |                    |        |          | 01100110  | 102         | 66       |   |    |
| 6       | 06h | FREQNCO_MSB   | R/W | FREQ_NCO[31:24]        |             |                   |                      |                    |        |                    |        |          | 00100110  | 38          | 26       |   |    |
| 7       | 07h | PHINCO_LSB    | R/W | PH_NCO[7:0]            |             |                   |                      |                    |        |                    |        |          | 00000000  | 0           | 00       |   |    |
| 8       | 08h | PHINCO_MSB    | R/W | PH_NCO[15:8]           |             |                   |                      |                    |        |                    |        |          | 00000000  | 0           | 00       |   |    |
| 9       | 09h | DAC_A_Cfg_1   | R/W | DAC_A_PD               | DAC_A_SLEEP | DAC_A_OFFSET[4:0] |                      |                    |        |                    | -      | 00000000 | 0         | 00          |          |   |    |
| 10      | 0Ah | DAC_A_Cfg_2   | R/W | DAC_A_GAIN_COARSE[1:0] |             |                   | DAC_A_GAIN_FINE[5:0] |                    |        |                    |        | 01000000 | 64        | 40          |          |   |    |
| 11      | 0Bh | DAC_A_Cfg_3   | R/W | DAC_A_GAIN_COARSE[3:2] |             |                   | DAC_A_OFFSET[10:5]   |                    |        |                    |        | 11000000 | 192       | C0          |          |   |    |
| 12      | 0Ch | DAC_B_Cfg_1   | R/W | DAC_B_PD               | DAC_B_SLEEP | DAC_B_OFFSET[4:0] |                      |                    |        |                    | -      | 00000000 | 0         | 00          |          |   |    |
| 13      | 0Dh | DAC_B_Cfg_2   | R/W | DAC_B_GAIN_COARSE[1:0] |             |                   | DAC_B_GAIN_FINE[5:0] |                    |        |                    |        | 01000000 | 64        | 40          |          |   |    |
| 14      | 0Eh | DAC_B_Cfg_3   | R/W | DAC_B_GAIN_COARSE[3:2] |             |                   | DAC_B_OFFSET[10:5]   |                    |        |                    |        | 11000000 | 192       | C0          |          |   |    |
| 15      | 0Fh | DAC_Cfg       | R/W | -                      |             |                   |                      |                    |        |                    |        |          | MINUS_3DB | NOISE_SHPER | 00000000 | 0 | 00 |
| 16      | 10h | SYNC_Cfg      | R/W | SYNC_DIV               | SYNC_SEL    | -                 |                      |                    |        |                    |        |          |           |             | 00000000 | 0 | 00 |
| 26      | 1Ah | DAC_A_Aux_MSB | R/W | AUX_A[9:2]             |             |                   |                      |                    |        |                    |        |          | 10000000  | 128         | 80       |   |    |
| 27      | 1Bh | DAC_A_Aux_LSB | R/W | AUX_A_PD               | -           |                   |                      |                    |        | AUX_A[1:0]         |        | 00000000 | 0         | 00          |          |   |    |
| 28      | 1Ch | DAC_B_Aux_MSB | R/W | AUX_B[9:2]             |             |                   |                      |                    |        |                    |        |          | 10000000  | 128         | 80       |   |    |
| 29      | 1Dh | DAC_B_Aux_LSB | R/W | AUX_B_PD               | -           |                   |                      |                    |        | AUX_B[1:0]         |        | 00000000 | 0         | 00          |          |   |    |



### 10.2.4 Detailed register descriptions

Please refer to Table 9 for the register overview and relevant default values. In the following tables, all the values shown in bold are the default values.

**Table 10. COMMON register (address 00h) bit description**

*Default settings are shown highlighted.*

| Bit | Symbol   | Access | Value    | Description  |
|-----|----------|--------|----------|--|
| 7   | 3W_SPI   | R/W    |          | serial interface bus type                                      |
|     |          |        | 0        | 4 wire SPI   |
|     |          |        | <b>1</b> | <b>3 wire SPI</b>  |
| 6   | SPI_RST  | R/W    |          | serial interface reset   |
|     |          |        | <b>0</b> | <b>no reset</b>  |
|     |          |        | 1        | performs a reset on all registers except 00h                   |
| 5   | CLK_SEL  | R/W    |          | data input latch   |
|     |          |        | <b>0</b> | <b>at CLK rising edge</b>                                      |
|     |          |        | 1        | at CLK falling edge  |
| 4   | -        | -      | -        | reserved   |
| 3   | MODE_SEL | R/W    |          | input data mode  |
|     |          |        | <b>0</b> | <b>dual port</b>   |
|     |          |        | 1        | interleaved  |
| 2   | CODING   | R/W    |          | coding   |
|     |          |        | <b>0</b> | <b>binary</b>  |
|     |          |        | 1        | two's compliment   |
| 1   | IC_PD    | R/W    |          | power-down   |
|     |          |        | <b>0</b> | <b>disabled</b>  |
|     |          |        | 1        | all circuits (digital and analog, except SPI) are switched off |
| 0   | GAP_PD   | R/W    |          | internal bandgap power-down                                    |
|     |          |        | <b>0</b> | <b>power-down disabled</b>                                     |
|     |          |        | 1        | internal bandgap references are switched off                   |

**Table 11. TXCFG register (address 01h) bit description**

*Default settings are shown highlighted.*

| Bit | Symbol      | Access | Value    | Description  |
|-----|-------------|--------|----------|--|
| 7   | NCO_ON      | R/W    |          | NCO  |
|     |             |        | 0        | disabled (the NCO phase is reset to 0)   |
|     |             |        | <b>1</b> | <b>enabled</b>   |
| 6   | NCO_LP_SEL  | R/W    |          | low-power NCO  |
|     |             |        | <b>0</b> | <b>disabled</b>  |
|     |             |        | 1        | NCO frequency and phase given by the five MSBs of the registers 06h and 08h respectively |
| 5   | INV_SIN_SEL | R/W    |          | x / (sin x) function   |
|     |             |        | <b>0</b> | <b>disabled</b>  |
|     |             |        | 1        | enabled  |

Table 11. TXCFG register (address 01h) bit description ...continued

Default settings are shown highlighted.

| Bit    | Symbol             | Access | Value      | Description   |
|--------|--------------------|--------|------------|---|
| 4 to 2 | MODULATION[2:0]    | R/W    |            | modulation  |
|        |                    |        | 000        | dual DAC: no modulation                             |
|        |                    |        | <b>001</b> | <b>positive upper single sideband up-conversion</b> |
|        |                    |        | 010        | positive lower single sideband up-conversion        |
|        |                    |        | 011        | negative upper single sideband up-conversion        |
|        |                    |        | 100        | negative lower single sideband up-conversion        |
| 1 to 0 | INTERPOLATION[1:0] | R/W    |            | interpolation                                       |
|        |                    |        | 01         | reserved  |
|        |                    |        | 10         | 4×  |
|        |                    |        | <b>11</b>  | <b>8×</b>   |

Table 12. PLLCFG register (address 02h) bit description

Default settings are shown highlighted.

| Bit    | Symbol             | Access | Value     | Description                 |                     |
|--------|--------------------|--------|-----------|-----------------------------|---------------------|
|        |                    |        |           | PLL ON                      | PLL OFF             |
| 7      | PLL_PD             | R/W    |           | PLL                         |                     |
|        |                    |        | <b>0</b>  | <b>switched on</b>          |                     |
|        |                    |        | 1         | switched off                |                     |
| 6      | -                  | -      |           | reserved                    |                     |
| 5      | PLL_DIV_PD         | R/W    |           | PLL divider                 | undefined           |
|        |                    |        | <b>0</b>  | <b>switched on</b>          | <b>X</b>            |
|        |                    |        | 1         | switched off                | X                   |
| 4 to 3 | PLL_DIV[1:0]       | R/W    |           | PLL divider factor          | Digital clock delay |
|        |                    |        | 00        | 2                           | 130 ps              |
|        |                    |        | 01        | 4                           | 280 ps              |
|        |                    |        | <b>10</b> | <b>8</b>                    | <b>430 ps</b>       |
|        |                    |        | 11        | <b>X</b>                    | 580 ps              |
| 2 to 1 | DAC_CLK_DELAY[1:0] | R/W    |           | phase shift ( $f_s$ )       | undefined           |
|        |                    |        | <b>00</b> | <b>0°</b>                   | <b>X</b>            |
|        |                    |        | 01        | 120°                        | X                   |
|        |                    |        | 10        | 240°                        | X                   |
| 0      | DAC_CLK_POL        | R/W    |           | clock edge of DAC ( $f_s$ ) | undefined           |
|        |                    |        | <b>0</b>  | <b>normal</b>               | <b>X</b>            |
|        |                    |        | 1         | inverted                    | X                   |

Table 13. FREQNCO\_LSB register (address 03h) bit description

| Bit    | Symbol        | Access | Value | Description                                |
|--------|---------------|--------|-------|--|
| 7 to 0 | FREQ_NCO[7:0] | R/W    | -     | lower 8 bits for the NCO frequency setting |

Table 14. **FREQNCO\_LISB register (address 04h) bit description**

| Bit    | Symbol         | Access | Value | Description   |
|--------|----------------|--------|-------|---|
| 7 to 0 | FREQ_NCO[15:8] | R/W    | -     | lower intermediate 8 bits for the NCO frequency setting |

Table 15. **FREQNCO\_UISB register (address 05h) bit description**

| Bit    | Symbol          | Access | Value | Description   |
|--------|-----------------|--------|-------|---|
| 7 to 0 | FREQ_NCO[23:16] | R/W    | -     | upper intermediate 8 bits for the NCO frequency setting |

Table 16. **FREQNCO\_MSB register (address 06h) bit description**

| Bit    | Symbol          | Access | Value | Description   |
|--------|-----------------|--------|-------|---|
| 7 to 0 | FREQ_NCO[31:24] | R/W    | -     | most significant 8 bits for the NCO frequency setting |

Table 17. **PHINCO\_LSB register (address 07h) bit description**

| Bit    | Symbol      | Access | Value | Description                            |
|--------|-------------|--------|-------|--|
| 7 to 0 | PH_NCO[7:0] | R/W    | -     | lower 8 bits for the NCO phase setting |

Table 18. **PHINCO\_MSB register (address 08h) bit description**

| Bit    | Symbol       | Access | Value | Description                                       |
|--------|--------------|--------|-------|---|
| 7 to 0 | PH_NCO[15:8] | R/W    | -     | most significant 8 bits for the NCO phase setting |

Table 19. **DAC\_A\_Cfg\_1 register (address 09h) bit description**

Default settings are shown highlighted.

| Bit    | Symbol            | Access | Value    | Description                       |
|--------|-------------------|--------|----------|-----------------------------------|
| 7      | DAC_A_PD          | R/W    |          | DAC A power                       |
|        |                   |        | <b>0</b> | <b>on</b>                         |
|        |                   |        | 1        | off                               |
| 6      | DAC_A_SLEEP       | R/W    |          | DAC A Sleep mode                  |
|        |                   |        | <b>0</b> | <b>disabled</b>                   |
|        |                   |        | 1        | enabled                           |
| 5 to 1 | DAC_A_OFFSET[4:0] | R/W    | -        | lower 5 bits for the DAC A offset |

Table 20. **DAC\_A\_Cfg\_2 register (address 0Ah) bit description**

| Bit    | Symbol                 | Access | Value | Description   |
|--------|------------------------|--------|-------|---|
| 7 to 6 | DAC_A_GAIN_COARSE[1:0] | R/W    | -     | lower 2 bits for the DAC A gain setting for coarse adjustment |
| 5 to 0 | DAC_A_GAIN_FINE[5:0]   | R/W    | -     | lower 6 bits for the DAC A gain setting for fine adjustment   |

**Table 21. DAC\_A\_Cfg\_3 register (address 0Bh) bit description**

| Bit    | Symbol                 | Access | Value | Description  |
|--------|------------------------|--------|-------|--|
| 7 to 6 | DAC_A_GAIN_COARSE[3:2] | R/W    | -     | most significant 2 bits for the DAC A gain setting for coarse adjustment |
| 5 to 0 | DAC_A_OFFSET[10:5]     | R/W    | -     | most significant 6 bits for the DAC A offset                             |

**Table 22. DAC\_B\_Cfg\_1 register (address 0Ch) bit description**

Default settings are shown highlighted.

| Bit    | Symbol            | Access | Value    | Description                      |
|--------|-------------------|--------|----------|----------------------------------|
| 7      | DAC_B_PD          | R/W    |          | DAC B power                      |
|        |                   |        | <b>0</b> | <b>on</b>                        |
|        |                   |        | 1        | off                              |
| 6      | DAC_B_SLEEP       | R/W    |          | DAC B Sleep mode                 |
|        |                   |        | <b>0</b> | <b>disabled</b>                  |
|        |                   |        | 1        | enabled                          |
| 5 to 1 | DAC_B_OFFSET[4:0] | R/W    | -        | lower 5bits for the DAC B offset |

**Table 23. DAC\_B\_Cfg\_2 register (address 0Dh) bit description**

| Bit    | Symbol                 | Access | Value | Description  |
|--------|------------------------|--------|-------|--|
| 7 to 6 | DAC_B_GAIN_COARSE[1:0] | R/W    | -     | less significant 2 bits for the DAC B gain setting for coarse adjustment |
| 5 to 0 | DAC_B_GAIN_FINE[5:0]   | R/W    | -     | the 6 bits for the DAC B gain setting for fine adjustment                |

**Table 24. DAC\_B\_Cfg\_3 register (address 0Eh) bit description**

| Bit    | Symbol                 | Access | Value | Description  |
|--------|------------------------|--------|-------|--|
| 7 to 6 | DAC_B_GAIN_COARSE[3:2] | R/W    | -     | most significant 2 bits for the DAC B gain setting for coarse adjustment |
| 5 to 0 | DAC_B_OFFSET[10:5]     | R/W    | -     | most significant 6 bits for the DAC B offset                             |

**Table 25. DAC\_Cfg register (address 0Fh) bit description**

Default settings are shown highlighted.

| Bit    | Symbol      | Access | Value    | Description     |
|--------|-------------|--------|----------|-----------------|
| 7 to 2 | -           | -      | -        | reserved        |
| 1      | MINUS_3DB   | R/W    |          | NCO gain        |
|        |             |        | <b>0</b> | <b>unity</b>    |
|        |             |        | 1        | -3 dB           |
| 0      | NOISE_SHPER | R/W    |          | noise shaper    |
|        |             |        | <b>0</b> | <b>disabled</b> |
|        |             |        | 1        | enabled         |

**Table 26. SYNC\_Cfg register (address 10h) bit description***Default settings are shown highlighted.*

| Bit    | Symbol   | Access | Value    | Description      |
|--------|----------|--------|----------|------------------|
| 7      | SYNC_DIV | R/W    |          | $f_s$ divided by |
|        |          |        | <b>0</b> | <b>4</b>         |
|        |          |        | 1        | 8                |
| 6      | SYNC_SEL | R/W    |          | SYNC selection   |
|        |          |        | <b>0</b> | <b>disabled</b>  |
|        |          |        | 1        | enabled          |
| 5 to 0 | -        | -      | -        | reserved         |

**Table 27. DAC\_A\_Aux\_MSB register (address 1Ah) bit description**

| Bit    | Symbol     | Access | Value | Description                                     |
|--------|------------|--------|-------|---|
| 7 to 0 | AUX_A[9:2] | R/W    | -     | most significant 8 bits for the auxiliary DAC A |

**Table 28. DAC\_A\_Aux\_LSB register (address 1Bh) bit description***Default settings are shown highlighted.*

| Bit    | Symbol     | Access | Value    | Description                          |
|--------|------------|--------|----------|--------------------------------------|
| 7      | AUX_A_PD   | R/W    |          | auxiliary DAC A power                |
|        |            |        | <b>0</b> | <b>on</b>                            |
|        |            |        | 1        | off                                  |
| 6 to 1 | -          | -      | -        | reserved                             |
| 1 to 0 | AUX_A[1:0] | R/W    | -        | lower 2 bits for the auxiliary DAC A |

**Table 29. DAC\_B\_Aux\_MSB register (address 1Ch) bit description**

| Bit    | Symbol     | Access | Value | Description                                     |
|--------|------------|--------|-------|---|
| 7 to 0 | AUX_B[9:2] | R/W    | -     | most significant 8 bits for the auxiliary DAC B |

**Table 30. DAC\_B\_Aux\_LSB register (address 1Dh) bit description***Default settings are shown highlighted.*

| Bit    | Symbol     | Access | Value    | Description                          |
|--------|------------|--------|----------|--------------------------------------|
| 7      | AUX_B_PD   | R/W    |          | auxiliary DAC B power                |
|        |            |        | <b>0</b> | <b>on</b>                            |
|        |            |        | 1        | off                                  |
| 6 to 1 | -          | -      | -        | reserved                             |
| 1 to 0 | AUX_B[1:0] | R/W    | -        | lower 2-bits for the auxiliary DAC B |

### 10.2.5 Recommended configuration

It is recommended that the following additional settings are used to obtain optimum performance at up to 750 Msp/s

**Table 31. Recommended configuration**

| Address |     | Value    |            |     |
|---------|-----|----------|------------|-----|
| Dec     | Hex | Bin      | Dec        | Hex |
| 17      | 11h | 00001010 | 10         | 0Ah |
| 19      | 13h | 01101100 | <b>108</b> | 6Ch |
| 20      | 14h | 01101100 | 108        | 6Ch |

## 10.3 Input data

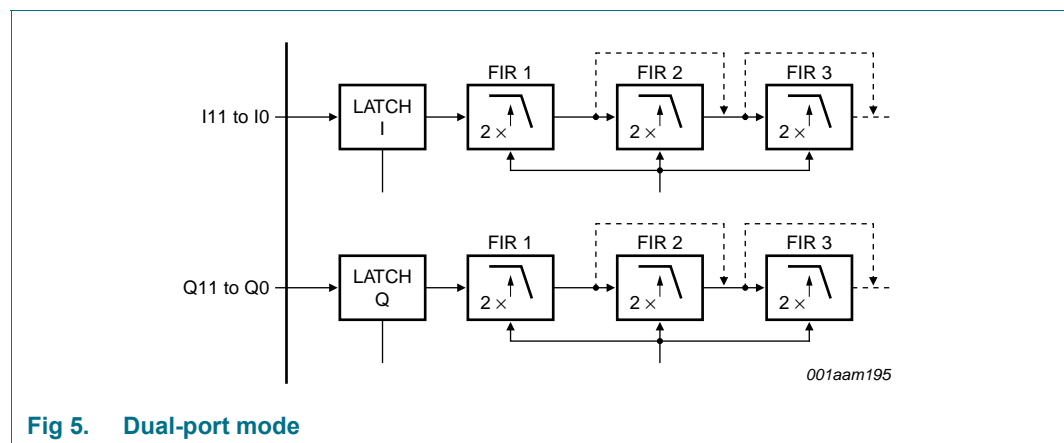
The setting applied to MODE\_SEL (register 00h[3]; see Table 10 on page 17) defines whether the DAC1205D750 operates in the Dual-port mode or in Interleaved mode (see Table 32).

**Table 32. Mode selection**

| Bit 3 setting | Function         | I11 to I0 | Q11 to Q0 | Pin 41 |
|---------------|------------------|-----------|-----------|--------|
| 0             | Dual port mode   | active    | active    | Q11    |
| 1             | Interleaved mode | active    | off       | SELIQ  |

### 10.3.1 Dual-port mode

The data input for Dual-port mode operation is shown in Figure 5 “Dual-port mode”. Each DAC has its own independent data input. The data enters the input latch on the rising edge of the internal clock signal and is transferred to the DAC latch.



### 10.3.2 Interleaved mode

The data input for the Interleaved mode operation is illustrated in Figure 6 “Interleaved mode operation”.

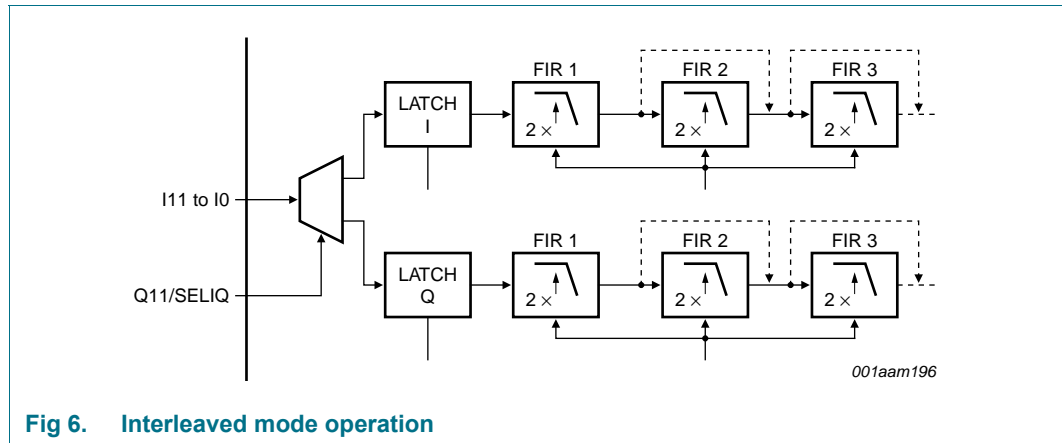


Fig 6. Interleaved mode operation

In Interleaved mode, both DACs use the same data input at twice the Dual-port mode frequency. Data enters the latch on the rising edge of the internal clock signal. The data is sent to either latch I or latch Q, depending on the SELIQ signal.

The SELIQ input (pin 41) allows the synchronization of the internally demultiplexed I and Q channels; see Figure 7.

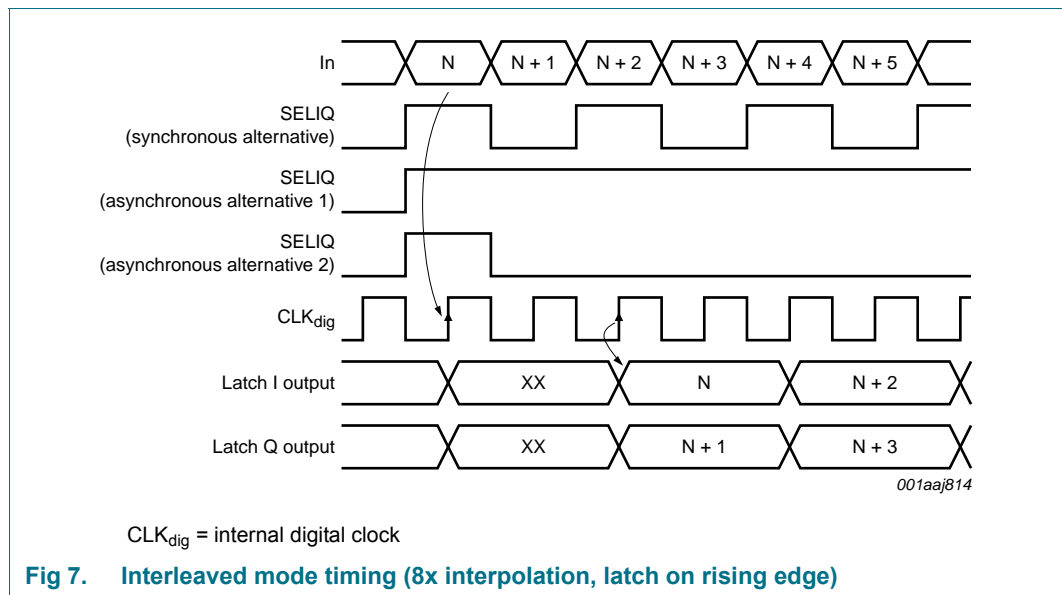


Fig 7. Interleaved mode timing (8x interpolation, latch on rising edge)

The SELIQ signal can be either synchronous or asynchronous (single rising edge, single pulse). The first data following the SELIQ rising edge is sent in channel I and following data is sent in channel Q. After this, data is distributed alternately between these channels.

### 10.4 Input clock

The DAC1205D750 can operate at the following clock frequencies:

**PLL on:** up to 185 MHz in Dual-port mode and up to 370 MHz in Interleaved mode

**PLL off:** up to 750 MHz

The input clock is LVDS compliant (see Figure 8) but it can also be interfaced with CML differential sine wave signal (see Figure 9).

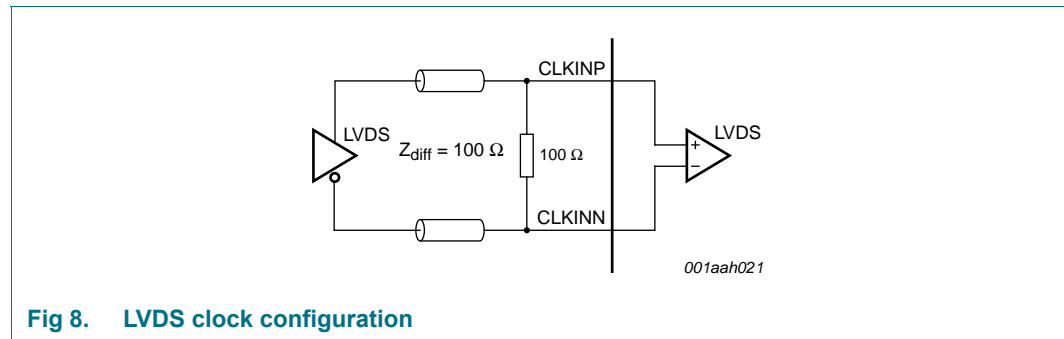


Fig 8. LVDS clock configuration

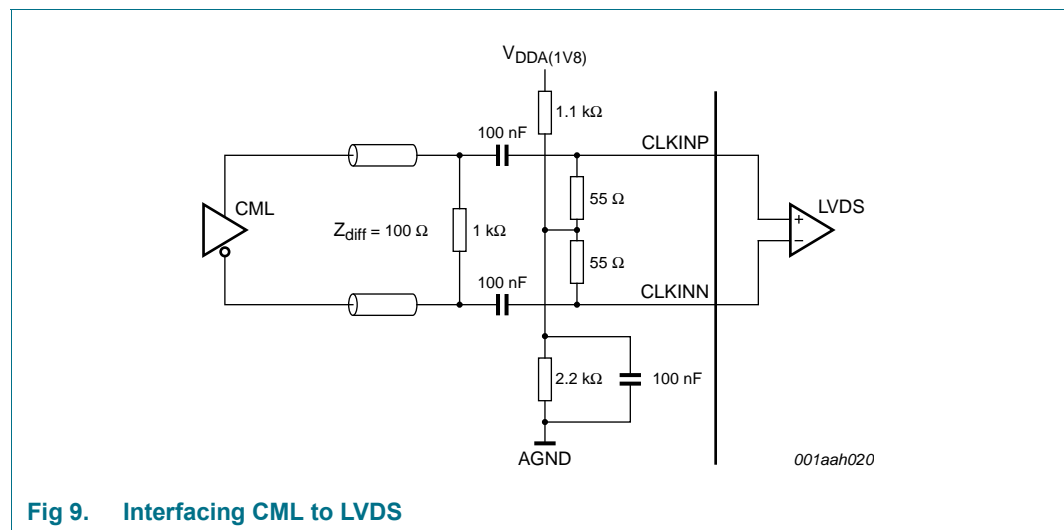


Fig 9. Interfacing CML to LVDS

### 10.5 Timing

The DAC1205D750 can operate at a sampling frequency ( $f_s$ ) up to 750 Mps with an input data rate ( $f_{data}$ ) up to 185 MHz. When using the internal PLL, the input data is referenced to the CLK signal. When the internal PLL is bypassed, the SYNC signal is used as a reference. The input timing in the second case is shown in Figure 10.



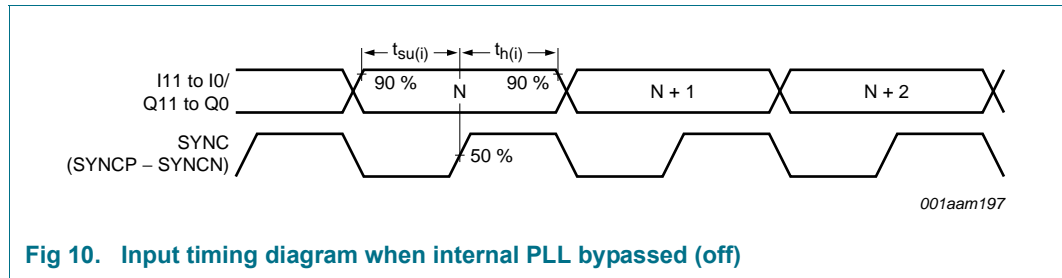


Fig 10. Input timing diagram when internal PLL bypassed (off)

### 10.5.1 Timing when using the internal PLL (PLL on)

In Table 33, the links between internal and external clocking are defined. The setting applied to PLL\_DIV[1:0] (register 02h[4:3]; see Table 9 “Register allocation map”) allows the frequency between the digital part and the DAC core to be adjusted.

Table 33. Frequencies

| Mode        | CLK input (MHz) | Input data rate (MHz) | Interpolation | Update rate (Msps) | PLL_DIV[1:0] |
|-------------|-----------------|-----------------------|---------------|--------------------|--------------|
| Dual Port   | 185             | 185                   | 4x            | 740                | 01 (/ 4)     |
| Dual Port   | 92.5            | 92.5                  | 8x            | 740                | 10 (/ 8)     |
| Interleaved | 370             | 370                   | 4x            | 740                | 00 (/ 2)     |
| Interleaved | 185             | 185                   | 8x            | 740                | 01 (/ 4)     |

The settings applied to DAC\_CLK\_DELAY[1:0] (register 02h[2:1]) and DAC\_CLK\_POL (register 02h[0]), allow adjustment of the phase and polarity of the sampling clock. This occurs at the input of the DAC core and depends mainly on the sampling frequency. Some examples are given in Table 34.

Table 34. Sample clock phase and polarity examples

| Mode      | Input data rate (MHz) | Interpolation | Update rate (Msps) | DAC_CLK_DELAY [1:0] | DAC_CLK_POL |
|-----------|-----------------------|---------------|--------------------|---------------------|-------------|
| Dual Port | 92.5                  | 4x            | 370                | 01                  | 0           |
| Dual Port | 92.5                  | 8x            | 740                | 01                  | 0           |

### 10.5.2 Timing when using an external PLL (PLL off)

It is recommended that a delay of 280 ps is used on the internal digital clock (CLK<sub>dig</sub>) to obtain optimum device performance up to 750 Msps.

Table 35. Optimum external PLL timing settings

| Address |     | Register name | Value               |          |     |     |
|---------|-----|---------------|---------------------|----------|-----|-----|
| Dec     | Hex |               | Digital clock delay | Bin      | Dec | Hex |
| 2       | 02h | PLLCFG        | 280 ps              | 10001000 | 136 | 88h |

## 10.6 FIR filters

The DAC1205D750 integrates three selectable Finite Impulse Response (FIR) filters which enables the device to use 4x or 8x interpolation rates. All three interpolation filters have a stop-band attenuation of at least 80 dBc and a pass-band ripple of less than 0.0005 dB. The coefficients of the interpolation filters are given in Table 36 “Interpolation filter coefficients”.

Table 36. Interpolation filter coefficients

| First interpolation filter |       |       | Second interpolation filter |       |       | Third interpolation filter |       |       |
|----------------------------|-------|-------|-----------------------------|-------|-------|----------------------------|-------|-------|
| Lower                      | Upper | Value | Lower                       | Upper | Value | Lower                      | Upper | Value |
| H(1)                       | H(55) | -4    | H(1)                        | H(23) | -2    | H(1)                       | H(15) | -39   |
| H(2)                       | H(54) | 0     | H(2)                        | H(22) | 0     | H(2)                       | H(14) | 0     |
| H(3)                       | H(53) | 13    | H(3)                        | H(21) | 17    | H(3)                       | H(13) | 273   |
| H(4)                       | H(52) | 0     | H(4)                        | H(20) | 0     | H(4)                       | H(12) | 0     |
| H(5)                       | H(51) | -34   | H(5)                        | H(19) | -75   | H(5)                       | H(11) | -1102 |
| H(6)                       | H(50) | 0     | H(6)                        | H(18) | 0     | H(6)                       | H(10) | 0     |
| H(7)                       | H(49) | 72    | H(7)                        | H(17) | 238   | H(7)                       | H(9)  | 4964  |
| H(8)                       | H(48) | 0     | H(8)                        | H(16) | 0     | H(8)                       | -     | 8192  |
| H(9)                       | H(47) | -138  | H(9)                        | H(15) | -660  | -                          | -     | -     |
| H(10)                      | H(46) | 0     | H(10)                       | H(14) | 0     | -                          | -     | -     |
| H(11)                      | H(45) | 245   | H(11)                       | H(13) | 2530  | -                          | -     | -     |
| H(12)                      | H(44) | 0     | H(12)                       | -     | 4096  | -                          | -     | -     |
| H(13)                      | H(43) | -408  | -                           | -     | -     | -                          | -     | -     |
| H(14)                      | H(42) | 0     | -                           | -     | -     | -                          | -     | -     |
| H(15)                      | H(41) | 650   | -                           | -     | -     | -                          | -     | -     |
| H(16)                      | H(40) | 0     | -                           | -     | -     | -                          | -     | -     |
| H(17)                      | H(39) | -1003 | -                           | -     | -     | -                          | -     | -     |
| H(18)                      | H(38) | 0     | -                           | -     | -     | -                          | -     | -     |
| H(19)                      | H(37) | 1521  | -                           | -     | -     | -                          | -     | -     |
| H(20)                      | H(36) | 0     | -                           | -     | -     | -                          | -     | -     |
| H(21)                      | H(35) | -2315 | -                           | -     | -     | -                          | -     | -     |
| H(22)                      | H(34) | 0     | -                           | -     | -     | -                          | -     | -     |
| H(23)                      | H(33) | 3671  | -                           | -     | -     | -                          | -     | -     |
| H(24)                      | H(32) | 0     | -                           | -     | -     | -                          | -     | -     |
| H(25)                      | H(31) | -6642 | -                           | -     | -     | -                          | -     | -     |
| H(26)                      | H(30) | 0     | -                           | -     | -     | -                          | -     | -     |
| H(27)                      | H(29) | 20756 | -                           | -     | -     | -                          | -     | -     |
| H(28)                      |       | 32768 | -                           | -     | -     | -                          | -     | -     |

## 10.7 Quadrature modulator and Numerically Controlled Oscillator (NCO)

The quadrature modulator allows the 12-bit I and Q-data to be mixed with the carrier signal generated by the NCO.

The frequency of the Numerically Controlled Oscillator (NCO) is programmed over 32-bit and allows the sign of the sine component to be inverted in order to operate positive or negative, lower or upper single sideband up-conversion.

### 10.7.1 NCO in 32-bit

When using the NCO, the frequency can be set by the four registers `FREQNCO_LSB`, `FREQNCO_LISB`, `FREQNCO_UISB` and `FREQNCO_MSB` over 32 bits.

The frequency for the NCO in 32-bit is calculated as follows:

$$f_{NCO} = \frac{M \times f_s}{2^{32}} \quad (1)$$

where M is the decimal representation of `FREQ_NCO[31:0]`.

The phase of the NCO can be set from 0° to 360° by both registers `PHINCO_LSB` and `PHINCO_MSB` over 16 bits.

### 10.7.2 Low-power NCO

When using the low-power NCO, the frequency can be set by the 5 MSB of register `FREQNCO_MSB`.

The frequency for the low-power NCO is calculated as follows:

$$f_{NCO} = \frac{M \times f_s}{2^5} \quad (2)$$

where M is the decimal representation of `FREQ_NCO[31:27]`.

The phase of the low-power NCO can be set by the 5 MSB of the register `PHINCO_MSB`.

### 10.7.3 Minus\_3dB function

During normal use, a full-scale pattern will also be full scale at the output of the DAC. Nevertheless, when the I and Q data are simultaneously close to full scale, some clipping can occur and the `Minus_3dB` function can be used to reduce the gain by 3 dB in the modulator. This is to keep a full-scale range at the output of the DAC without added interferers.

## 10.8 x / (sin x)

Due to the roll-off effect of the DAC, a selectable FIR filter is inserted to compensate for the `x / (sin x)` effect. This filter introduces a DC loss of 3.4 dB. The coefficients are represented in Table 37.

**Table 37. Inversion filter coefficients**

| First interpolation filter |       |       |
|----------------------------|-------|-------|
| Lower                      | Upper | Value |
| H(1)                       | H(9)  | 2     |
| H(2)                       | H(8)  | -4    |
| H(3)                       | H(7)  | 10    |
| H(4)                       | H(6)  | -35   |
| H(5)                       | -     | 401   |

## 10.9 DAC transfer function

The full-scale output current for each DAC is the sum of the two complementary current outputs:

$$I_{O(fs)} = I_{IOUTP} + I_{IOUTN} \quad (3)$$

The output current depends on the digital input data:

$$I_{IOUTP} = I_{O(fs)} \times \left( \frac{DATA}{4095} \right) \quad (4)$$

$$I_{IOUTN} = I_{O(fs)} \times \left( \frac{4095 - DATA}{4095} \right) \quad (5)$$

The setting applied to CODING (register 00h[2]; see Table 9 “Register allocation map”) defines whether the DAC1205D750 operates with a binary input or a two’s complement input.

Table 38 shows the output current as a function of the input data, when  $I_{O(fs)} = 20$  mA.

**Table 38. DAC transfer function**

| Data  | I11 to I0 and Q11 to Q0 |                  | IOUTP (mA) | IOUTN (mA) |
|-------|-------------------------|------------------|------------|------------|
|       | Binary                  | Two’s complement |            |            |
| 0     | 0000 0000 0000          | 1000 0000 0000   | 0          | 20         |
| ...   | ...                     | ...              | ...        | ...        |
| 8192  | 1000 0000 0000          | 0000 0000 0000   | 10         | 10         |
| ...   | ...                     | ...              | ...        | ...        |
| 16383 | 1111 1111 1111          | 0111 1111 1111   | 20         | 0          |

## 10.10 Full-scale current

### 10.10.1 Regulation

The DAC1205D750 reference circuitry integrates an internal bandgap reference voltage which delivers a 1.29 V reference to the GAPOUT pin. It is recommended to decouple pin GAPOUT using a 100 nF capacitor.

The reference current is generated via an external resistor of 953  $\Omega$  (1 %) connected to pin VIRES. A control amplifier sets the appropriate full-scale output current ( $I_{O(fs)}$ ) for both DACs (see Figure 11).

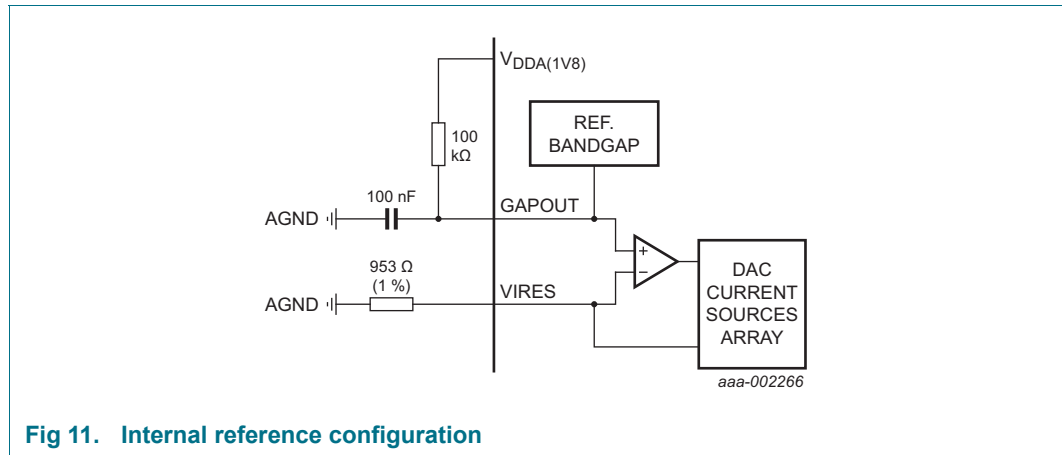


Fig 11. Internal reference configuration

This configuration is optimum for temperature drift compensation because the bandgap reference voltage can be matched to the voltage across the feedback resistor.

The DAC current can also be set by applying an external reference voltage to the non-inverting input pin GAPOUT and disabling the internal bandgap reference voltage with GAP\_PD (register 00h[0]; see Table 10 “COMMON register (address 00h) bit description”).

### 10.10.2 Full-scale current adjustment

The default full-scale current ( $I_{O(fs)}$ ) is 20 mA but further adjustments can be made by the user to both DACs independently via the serial interface from 1.6 mA to 22 mA,  $\pm 10\%$ .

The settings applied to DAC\_A\_GAIN\_COARSE[3:0] (see Table 20 “DAC\_A\_Cfg\_2 register (address 0Ah) bit description” and Table 21 “DAC\_A\_Cfg\_3 register (address 0Bh) bit description”) and to DAC\_B\_GAIN\_COARSE[3:0] (see Table 23 “DAC\_B\_Cfg\_2 register (address 0Dh) bit description” and Table 24 “DAC\_B\_Cfg\_3 register (address 0Eh) bit description”) define the coarse variation of the full-scale current (see Table 39).

Table 39.  $I_{O(fs)}$  coarse adjustment

Default settings are shown highlighted.

| DAC_GAIN_COARSE[3:0] |        | $I_{O(fs)}$ (mA) |
|----------------------|--------|------------------|
| Decimal              | Binary |                  |
| 0                    | 0000   | 1.6              |
| 1                    | 0001   | 3.0              |
| 2                    | 0010   | 4.4              |
| 3                    | 0011   | 5.8              |
| 4                    | 0100   | 7.2              |
| 5                    | 0101   | 8.6              |
| 6                    | 0110   | 10.0             |
| 7                    | 0111   | 11.4             |
| 8                    | 1000   | 12.8             |
| 9                    | 1001   | 14.2             |
| 10                   | 1010   | 15.6             |
| 11                   | 1011   | 17.0             |

**Table 39.  $I_{O(fs)}$  coarse adjustment ...continued**  
 Default settings are shown highlighted.

| DAC_GAIN_COARSE[3:0] |             | $I_{O(fs)}$ (mA) |
|----------------------|-------------|------------------|
| Decimal              | Binary      |                  |
| 12                   | 1100        | 18.5             |
| <b>13</b>            | <b>1101</b> | <b>20.0</b>      |
| 14                   | 1110        | 21.0             |
| 15                   | 1111        | 22.0             |

The settings applied to DAC\_A\_GAIN\_FINE[5:0] (see Table 20 “DAC\_A\_Cfg\_2 register (address 0Ah) bit description”) and to DAC\_B\_GAIN\_FINE[5:0] (see Table 23 “DAC\_B\_Cfg\_2 register (address 0Dh) bit description”) define the fine variation of the full-scale current (see Table 40).

**Table 40.  $I_{O(fs)}$  fine adjustment**  
 Default settings are shown highlighted.

| DAC_GAIN_FINE[5:0] |                  | Delta $I_{O(fs)}$ |
|--------------------|------------------|-------------------|
| Decimal            | Two's complement |                   |
| -32                | 10 0000          | -10.3 %           |
| ...                | ...              | ...               |
| <b>0</b>           | <b>00 0000</b>   | <b>0</b>          |
| ...                | ...              | ...               |
| 31                 | 01 1111          | +10 %             |

The coding of the fine gain adjustment is two's complement.

## 10.11 Digital offset adjustment

When the DAC1205D750 analog output is DC connected to the next stage, the digital offset correction can be used to adjust the common-mode level at the output of the DAC. It adds an offset at the end of the digital part, just before the DAC.

The settings applied to DAC\_A\_OFFSET[11:0] (see Table 19 “DAC\_A\_Cfg\_1 register (address 09h) bit description” and Table 21 “DAC\_A\_Cfg\_3 register (address 0Bh) bit description”) and to “DAC\_B\_OFFSET[11:0]” (see Table 22 “DAC\_B\_Cfg\_1 register (address 0Ch) bit description” and Table 24 “DAC\_B\_Cfg\_3 register (address 0Eh) bit description”) define the range of variation of the digital offset (see Table 41).

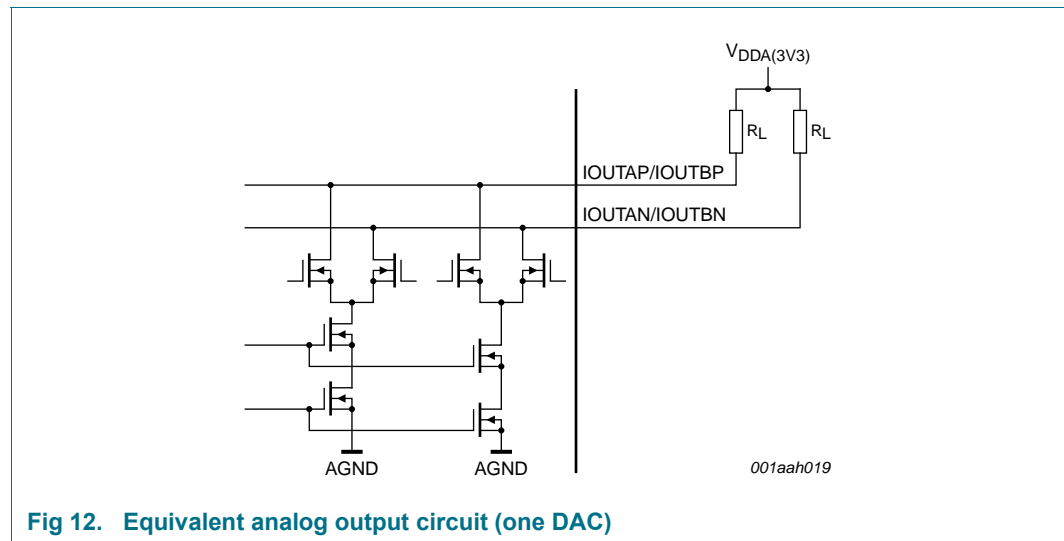
**Table 41. Digital offset adjustment**  
 Default settings are shown highlighted.

| DAC_OFFSET[11:0] |                      | Offset applied |
|------------------|----------------------|----------------|
| Decimal          | Two's complement     |                |
| -1024            | 100 0000 0000        | -1024          |
| -1023            | 100 0000 0001        | -1023          |
| ...              | ...                  | ...            |
| -1               | 111 1111 1111        | -1             |
| <b>0</b>         | <b>000 0000 0000</b> | <b>0</b>       |
| +1               | 000 0000 0001        | +1             |
| ...              | ...                  | ...            |
| +1022            | 011 1111 1110        | +1022          |
| +1023            | 011 1111 1111        | +1023          |

**10.12 Analog output**

The DAC1205D750 has two output channels each of which produces two complementary current outputs. These allow the even-order harmonics and noise to be reduced. The pins are IOUTAP/IOUTAN and IOUTBP/IOUTBN, respectively and need to be connected via a load resistor  $R_L$  to the 3.3 V analog power supply ( $V_{DDA(3V3)}$ ).

Refer to Figure 12 for the equivalent analog output circuit of one DAC. This circuit consists of a parallel combination of NMOS current sources, and their associated switches, for each segment.



**Fig 12. Equivalent analog output circuit (one DAC)**

The cascode source configuration increases the output impedance of the source, thus improving the dynamic performance of the DAC by introducing less distortion.

The device can provide an output level of up to  $2 V_{O(p-p)}$  depending on the application, the following stages and the targeted performances.

### 10.13 Auxiliary DACs

The DAC1205D750 integrates 2 auxiliary DACs that can be used to compensate for any offset between the DAC and the next stage in the transmission path.

Both auxiliary DACs have a resolution of 10-bit and are current sources (referenced to ground).

$$I_{O(AUX)} = I_{AUXP} + I_{AUXN} \tag{6}$$

The output current depends on the auxiliary DAC data:

$$AUXP = I_{O(AUX)} \times \left( \frac{AUX[9:0]}{1023} \right) \tag{7}$$

$$AUXN = I_{O(AUX)} \times \left( \frac{1023 - AUX[9:0]}{1023} \right) \tag{8}$$

Table 42 shows the output current as a function of the auxiliary DAC data.

**Table 42. Auxiliary DAC transfer function**

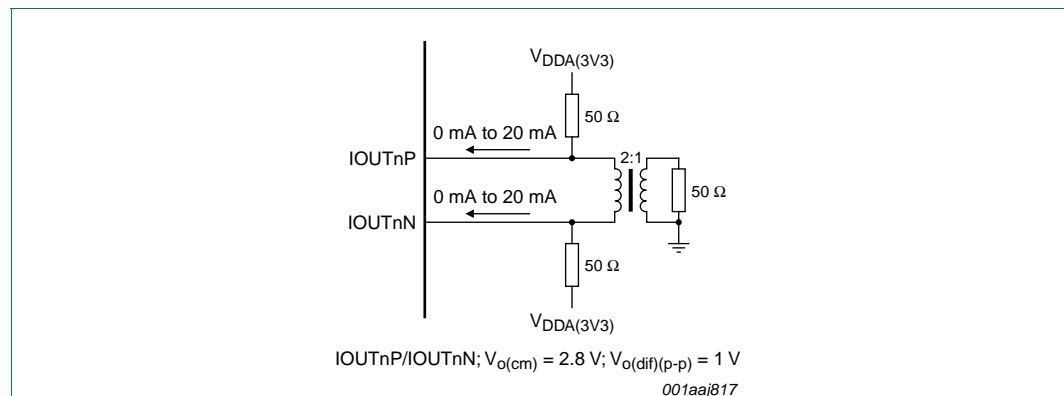
*Default settings are shown highlighted.*

| Data       | AUX[9:0] (binary)   | I <sub>AUXP</sub> (mA) | I <sub>AUXN</sub> (mA) |
|------------|---------------------|------------------------|------------------------|
| 0          | 00 0000 0000        | 0                      | 2.2                    |
| ...        | ...                 | ...                    | ...                    |
| <b>512</b> | <b>10 0000 0000</b> | <b>1.1</b>             | <b>1.1</b>             |
| ...        | ...                 | ...                    | ...                    |
| 1023       | 11 1111 1111        | 2.2                    | 0                      |

### 10.14 Output configuration

#### 10.14.1 Basic output configuration

The use of a differentially-coupled transformer output provides optimum distortion performance (see Figure 13). In addition, it helps to match the impedance and provides electrical isolation.



**Fig 13. 1 V<sub>o(p-p)</sub> differential output with transformer**



The DAC1205D750 differential outputs can operate up to  $2 V_{O(p-p)}$ . In this configuration, it is recommended to connect the center tap of the transformer to a  $62 \Omega$  resistor connected to the 3.3 V analog power supply, in order to adjust the DC common-mode to approximately 2.7 V (see Figure 14).

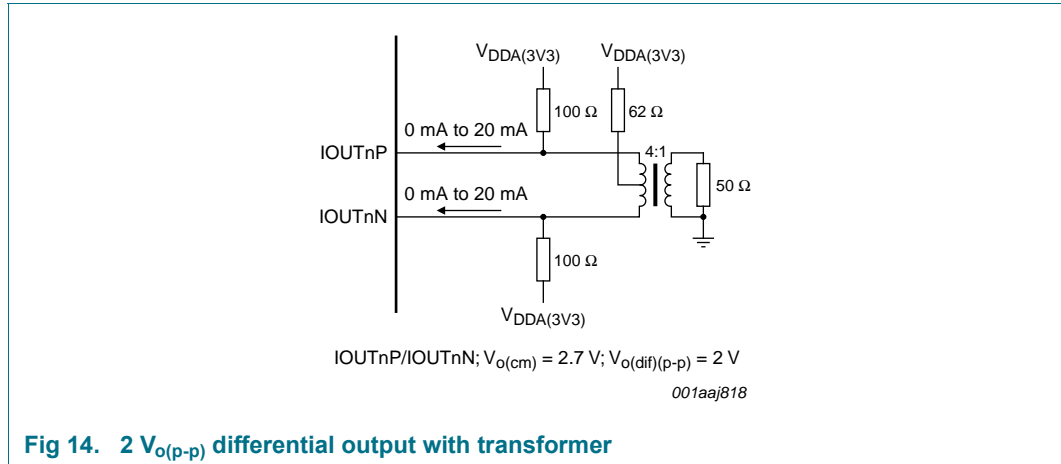


Fig 14.  $2 V_{O(p-p)}$  differential output with transformer

10.14.2 DC interface to an Analog Quadrature Modulator (AQM)

When the system operation requires to keep the DC component of the spectrum, the DAC1205D750 can use a DC interface to connect to an AQM. In this case, the offset compensation for LO cancellation can be made with the use of the digital offset control in the DAC.

Figure 15 provides an example of a connection to an AQM with a  $1.7 V_{I(cm)}$  common-mode input level.

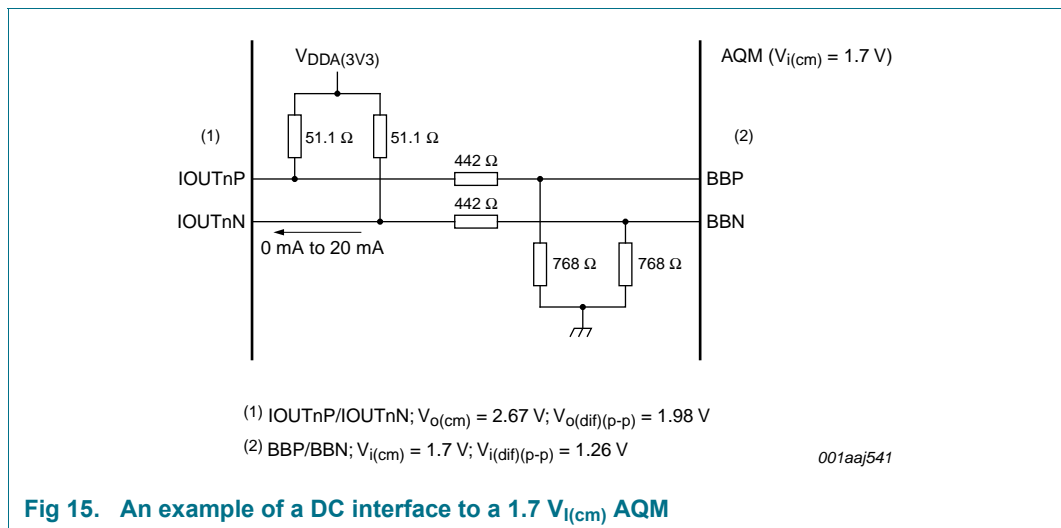


Fig 15. An example of a DC interface to a  $1.7 V_{I(cm)}$  AQM

Figure 16 provides an example of a connection to an AQM with a 3.3 V<sub>I(cm)</sub> common-mode input level.

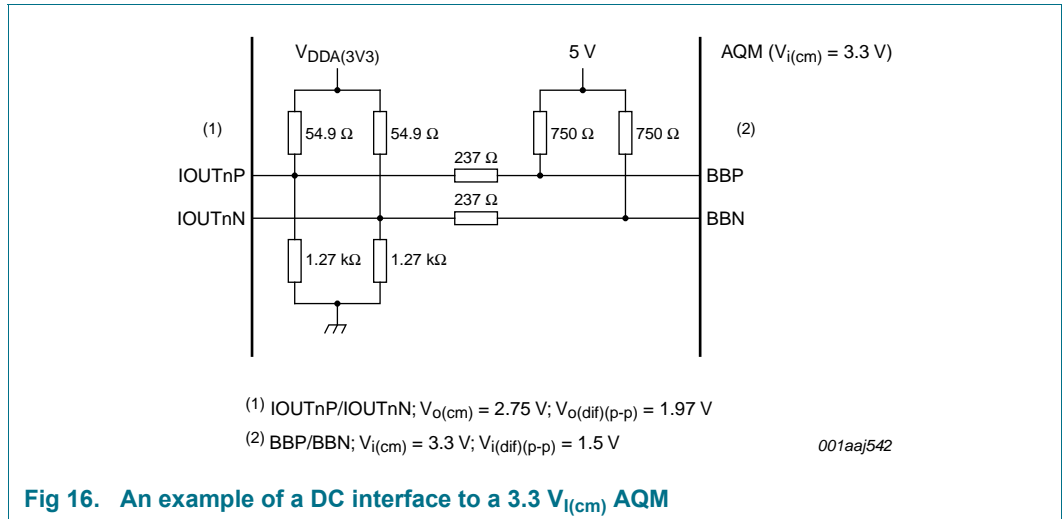


Fig 16. An example of a DC interface to a 3.3 V<sub>I(cm)</sub> AQM

The auxiliary DACs can be used to control the offset in a precise range or with precise steps.

Figure 17 provides an example of a DC interface with the auxiliary DACs to an AQM with a 1.7 V<sub>I(cm)</sub> common-mode input level.

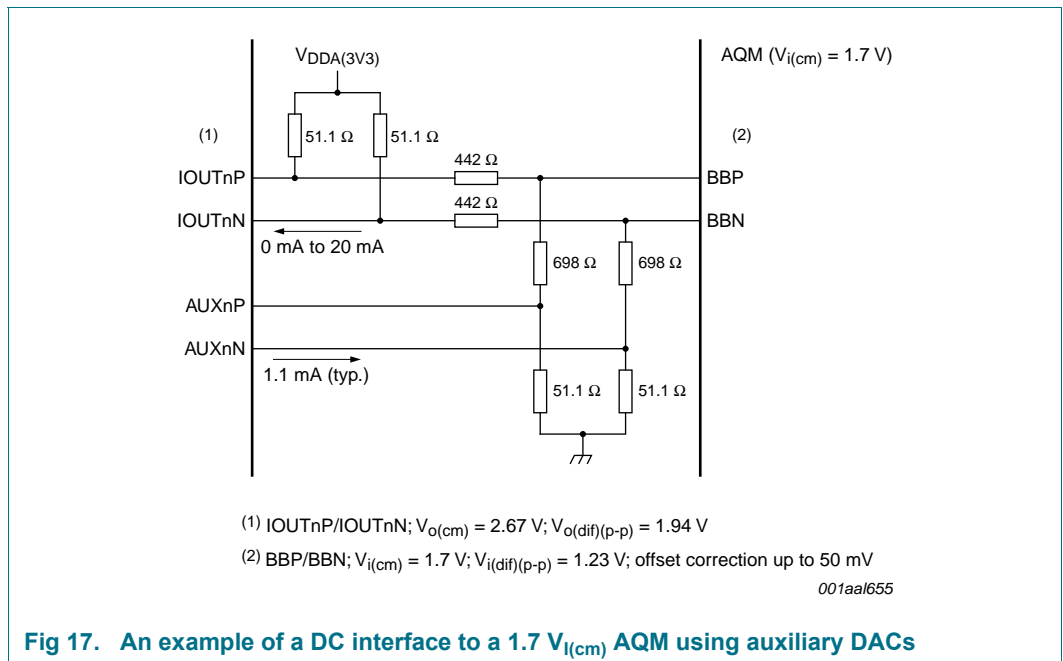
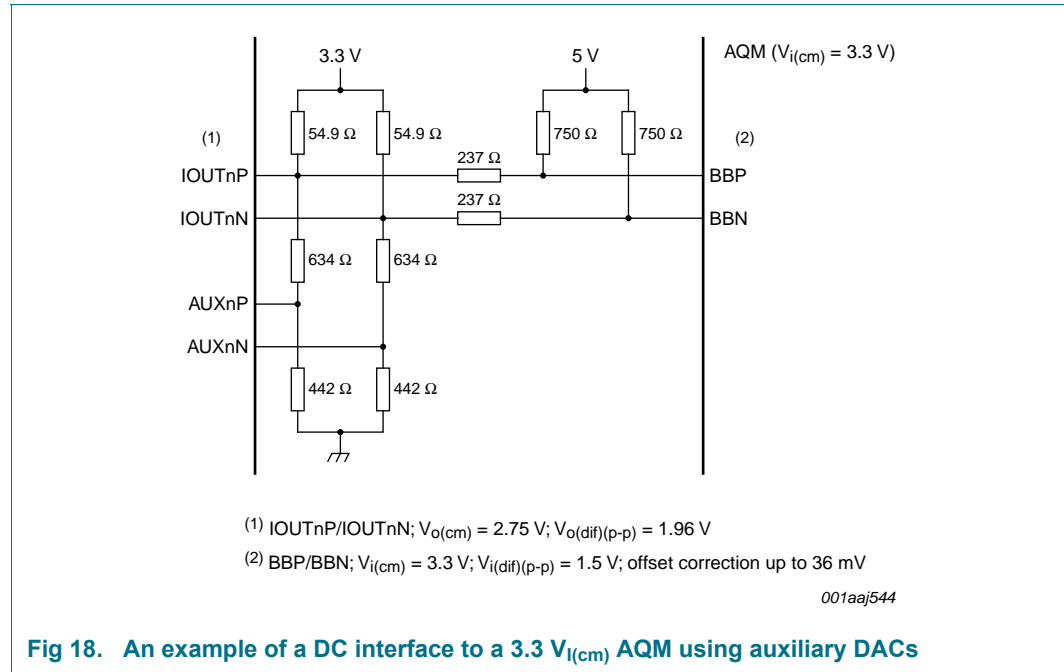


Fig 17. An example of a DC interface to a 1.7 V<sub>I(cm)</sub> AQM using auxiliary DACs

Figure 18 provides an example of a DC interface with the auxiliary DACs to an AQM with a 3.3 V<sub>I(cm)</sub> common-mode input level.



The constraints to adjust the interface are the output compliance range of the DAC and the auxiliary DACs, the input common-mode level of the AQM, and the range of offset correction.

**10.14.3 AC interface to an Analog Quadrature Modulator (AQM)**

When the AQM common-mode voltage is close to ground, the DAC1205D750 must be AC-coupled and the auxiliary DACs are needed for offset correction.

Figure 19 provides an example of a connection to an AQM with a 0.5 V<sub>I(cm)</sub> common-mode input level using auxiliary DACs.

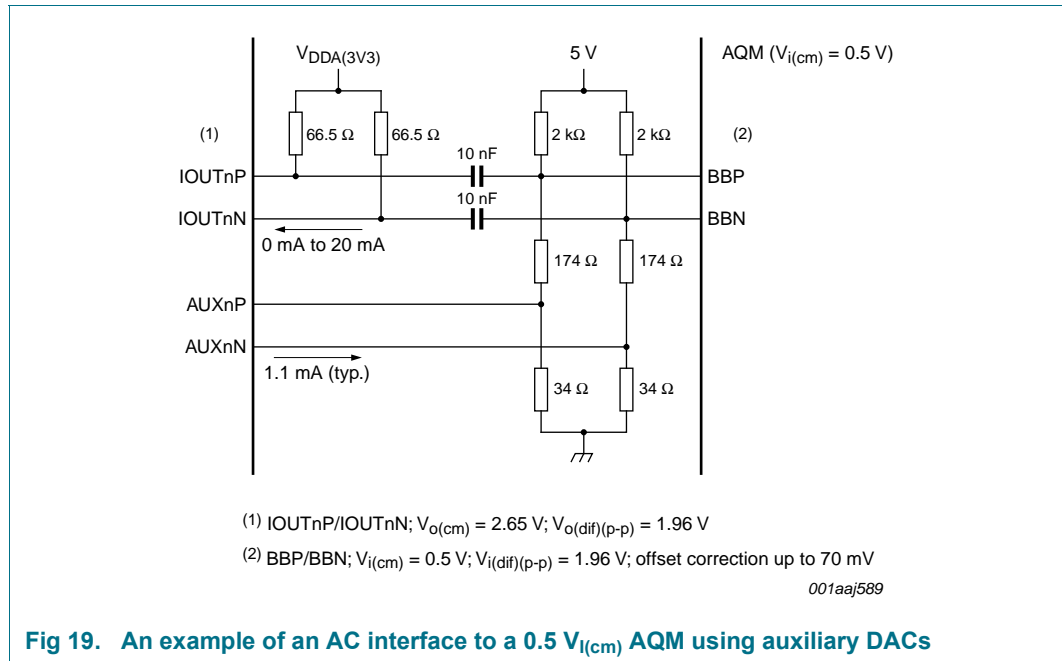


Fig 19. An example of an AC interface to a 0.5  $V_{I(cm)}$  AQM using auxiliary DACs

### 10.15 Power and grounding

In order to obtain optimum performance, it is recommended that the 1.8 V analog power supplies on pins 5, 11, 71, 77 and 99 should not be connected with the ones on pins 6, 70, 79, 81, 83, 93, 95 and 97 on the top layer.

To optimize the decoupling, the power supplies should be decoupled with the following ground pins:

- $V_{DD(1V8)}$ : pin 26 with 27; pin 32 with 33; pin 36 with 37; pin 40 with 39; pin 44 with 43 and pin 50 with 49.
- $V_{DD(10)(3V3)}$ : pin 16 with 17 and pin 60 with 59.
- $V_{DDA(1V8)}$ : pin 5 with 4; pin 6 with 7; pin 11 with 10; pin 71 with 72; pin 77 with 78; pins 79, 81, 83 with 80, 82, 84; pins 93, 95, 97 with 92, 94, 96 and pin 99 with 98.
- $V_{DDA(3V3)}$ : pin 1 with 100 and pin 75 with 76.

11. Package outline

HTQFP100: plastic thermal enhanced thin quad flat package; 100 leads; body 14 x 14 x 1 mm; exposed die pad

SOT638-1

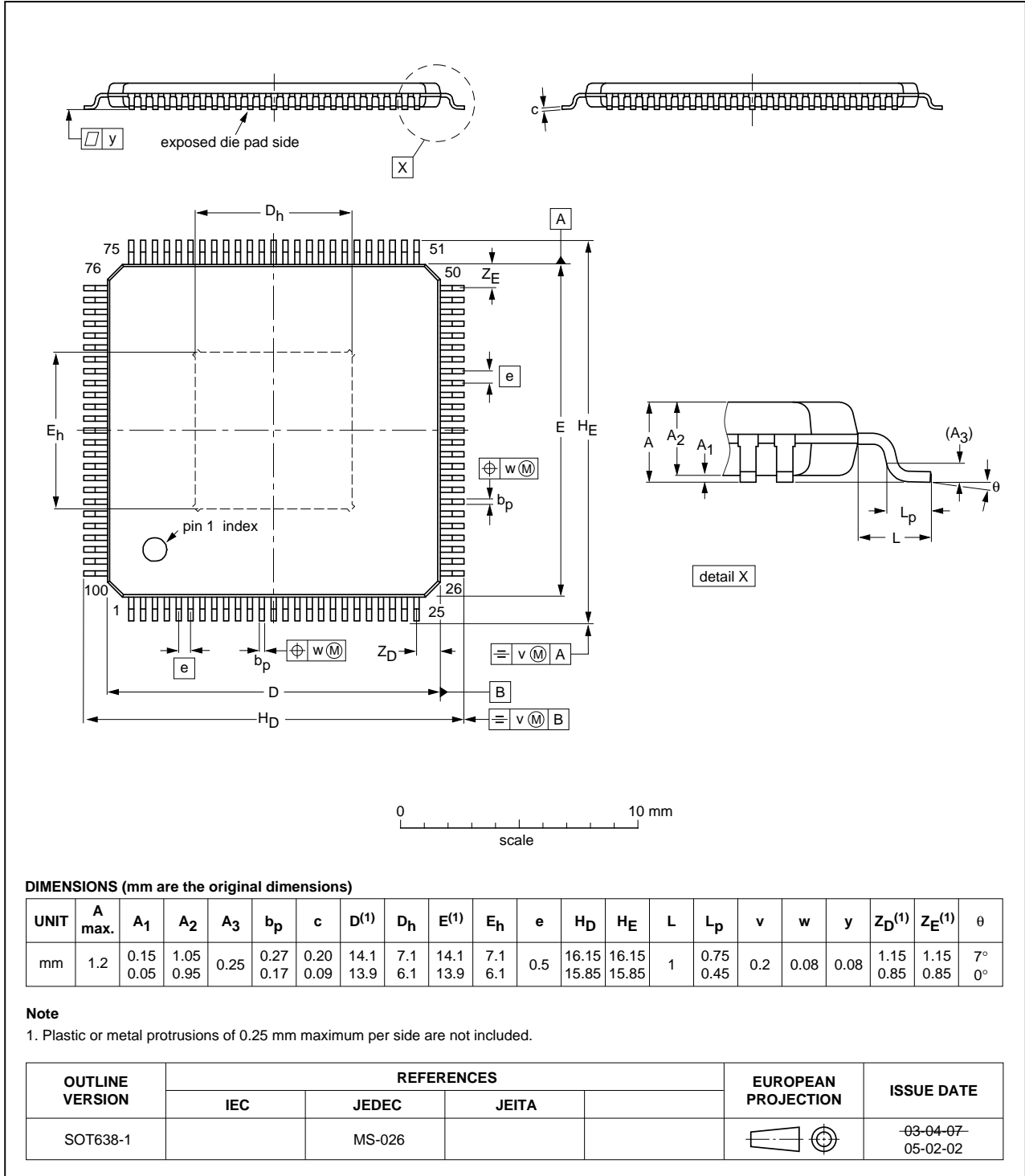


Fig 20. Package outline SOT638-1 (HTQFP100)

## 12. Abbreviations

**Table 43. Abbreviations**

| Acronym  | Description   |
|----------|---|
| B        | Bandwidth   |
| CDMA     | Code Division Multiple Access                           |
| CML      | Current Mode Logic                                      |
| CMOS     | Complementary Metal-Oxide Semiconductor                 |
| DAC      | Digital-to-Analog Converter                             |
| FIR      | Finite Impulse Response                                 |
| GSM      | Global System for Mobile communications                 |
| IF       | Intermediate Frequency                                  |
| IMD3     | Third-order InterModulation Distortion                  |
| LISB     | Lower Intermediate Significant Byte                     |
| LMDS     | Local Multipoint Distribution Service                   |
| LSB      | Least Significant Bit                                   |
| LTE      | Long Term Evolution                                     |
| LVDS     | Low-Voltage Differential Signaling                      |
| MMDS     | Multichannel Multipoint Distribution Service            |
| MSB      | Most Significant Bit                                    |
| NCO      | Numerically Controlled Oscillator                       |
| NMOS     | Negative Metal-Oxide Semiconductor                      |
| PLL      | Phase-Locked Loop                                       |
| SFDR     | Spurious-Free Dynamic Range                             |
| SPI      | Serial Peripheral Interface                             |
| TD-SCDMA | Time Division-Synchronous Code Division Multiple Access |
| UISB     | Upper Intermediate Significant Byte                     |
| WCDMA    | Wideband Code Division Multiple Access                  |
| WiMAX    | Worldwide Interoperability for Microwave Access         |

## 13. Glossary

---

**Spurious-Free Dynamic Range (SFDR):** — The ratio between the RMS value of the reconstructed output sine wave and the RMS value of the largest spurious observed (harmonic and non-harmonic, excluding DC component) in the frequency domain.

**Intermodulation Distortion (IMD):** — From a dual-tone digital input sine wave (these two frequencies being close together), the intermodulation distortion products IMD2 and IMD3 (respectively, second and third-order components) are defined below.

**IMD2** — The ratio of the RMS value of either tone to the RMS value of the worst second order intermodulation product.

**IMD3** — The ratio of the RMS value of either tone to the RMS value of the worst third order intermodulation product.

**Restricted Bandwidth Spurious Free Dynamic Range** — The ratio of the RMS value of the reconstructed output sine wave to the RMS value of the noise, including the harmonics, in a given bandwidth centered around  $f_{\text{offset}}$ .

## 14. Revision history

Table 44. Revision history

| Document ID     | Release date | Data sheet status   | Change notice | Supersedes      |
|-----------------|--------------|---|---------------|-----------------|
| DAC1205D750 v.5 | 20120702     | Product data sheet  | -             | DAC1205D750 v.4 |
| DAC1205D750 v.4 | 20120131     | Product data sheet  | -             | DAC1205D750 v.3 |
| Modifications:  |              | <ul style="list-style-type: none"> <li>Section 2 “Features and benefits” has been updated.</li> <li>The values for <math>V_{O(\text{ref})}</math> in Table 5 “Characteristics” have been updated.</li> <li>Section 10.2.1 “Protocol description” has been updated.</li> <li>Section 10.10.1 “Regulation” has been updated.</li> </ul> |               |                 |
| DAC1205D750 v.3 | 20110607     | Product data sheet  | -             | DAC1205D750 v.2 |
| DAC1205D750 v.2 | 20100910     | Product data sheet  | -             | DAC1205D750 v.1 |
| DAC1205D750 v.1 | 20100802     | Product data sheet  | -             | -               |

## 15. Contact information

For more information or sales office addresses, please visit: <http://www.idt.com>



## 16. Contents

|           |   |           |                |   |           |
|-----------|---|-----------|----------------|---|-----------|
| <b>1</b>  | <b>General description</b> . . . . .                  | <b>1</b>  | <b>10.7</b>    | <b>Quadrature modulator and Numerically Controlled Oscillator (NCO)</b> . . . . . | <b>26</b> |
| <b>2</b>  | <b>Features and benefits</b> . . . . .                | <b>1</b>  | <b>10.7.1</b>  | <b>NCO in 32-bit</b> . . . . .  | <b>27</b> |
| <b>3</b>  | <b>Applications</b> . . . . .                         | <b>2</b>  | <b>10.7.2</b>  | <b>Low-power NCO</b> . . . . .  | <b>27</b> |
| <b>4</b>  | <b>Ordering information</b> . . . . .                 | <b>2</b>  | <b>10.7.3</b>  | <b>Minus_3dB function</b> . . . . .   | <b>27</b> |
| <b>5</b>  | <b>Block diagram</b> . . . . .                        | <b>3</b>  | <b>10.8</b>    | <b><math>x / (\sin x)</math></b> . . . . .  | <b>27</b> |
| <b>6</b>  | <b>Pinning information</b> . . . . .                  | <b>4</b>  | <b>10.9</b>    | <b>DAC transfer function</b> . . . . .  | <b>28</b> |
| 6.1       | Pinning . . . . .                                     | 4         | <b>10.10</b>   | <b>Full-scale current</b> . . . . .   | <b>28</b> |
| 6.2       | Pin description . . . . .                             | 5         | <b>10.10.1</b> | <b>Regulation</b> . . . . .   | <b>28</b> |
| <b>7</b>  | <b>Limiting values</b> . . . . .                      | <b>8</b>  | <b>10.10.2</b> | <b>Full-scale current adjustment</b> . . . . .                                    | <b>29</b> |
| <b>8</b>  | <b>Thermal characteristics</b> . . . . .              | <b>8</b>  | <b>10.11</b>   | <b>Digital offset adjustment</b> . . . . .  | <b>30</b> |
| <b>9</b>  | <b>Characteristics</b> . . . . .                      | <b>9</b>  | <b>10.12</b>   | <b>Analog output</b> . . . . .  | <b>31</b> |
| <b>10</b> | <b>Application information</b> . . . . .              | <b>13</b> | <b>10.13</b>   | <b>Auxiliary DACs</b> . . . . .   | <b>32</b> |
| 10.1      | General description . . . . .                         | 13        | <b>10.14</b>   | <b>Output configuration</b> . . . . .   | <b>32</b> |
| 10.2      | Serial peripheral interface . . . . .                 | 13        | <b>10.14.1</b> | <b>Basic output configuration</b> . . . . .                                       | <b>32</b> |
| 10.2.1    | Protocol description . . . . .                        | 13        | <b>10.14.2</b> | <b>DC interface to an Analog Quadrature Modulator (AQM)</b> . . . . .             | <b>33</b> |
| 10.2.2    | SPI timing description . . . . .                      | 14        | <b>10.14.3</b> | <b>AC interface to an Analog Quadrature Modulator (AQM)</b> . . . . .             | <b>35</b> |
| 10.2.3    | Detailed descriptions of registers . . . . .          | 15        | <b>10.15</b>   | <b>Power and grounding</b> . . . . .  | <b>36</b> |
| 10.2.4    | Detailed register descriptions . . . . .              | 17        | <b>11</b>      | <b>Package outline</b> . . . . .  | <b>37</b> |
| 10.2.5    | Recommended configuration . . . . .                   | 22        | <b>12</b>      | <b>Abbreviations</b> . . . . .  | <b>38</b> |
| 10.3      | Input data . . . . .                                  | 22        | <b>13</b>      | <b>Glossary</b> . . . . .   | <b>39</b> |
| 10.3.1    | Dual-port mode . . . . .                              | 22        | <b>14</b>      | <b>Revision history</b> . . . . .   | <b>40</b> |
| 10.3.2    | Interleaved mode . . . . .                            | 22        | <b>15</b>      | <b>Contact information</b> . . . . .  | <b>40</b> |
| 10.4      | Input clock . . . . .                                 | 24        | <b>16</b>      | <b>Contents</b> . . . . .   | <b>41</b> |
| 10.5      | Timing . . . . .                                      | 24        |                |   |           |
| 10.5.1    | Timing when using the internal PLL (PLL on) . . . . . | 25        |                |   |           |
| 10.5.2    | Timing when using an external PLL (PLL off) . . . . . | 25        |                |   |           |
| 10.6      | FIR filters . . . . .                                 | 25        |                |   |           |