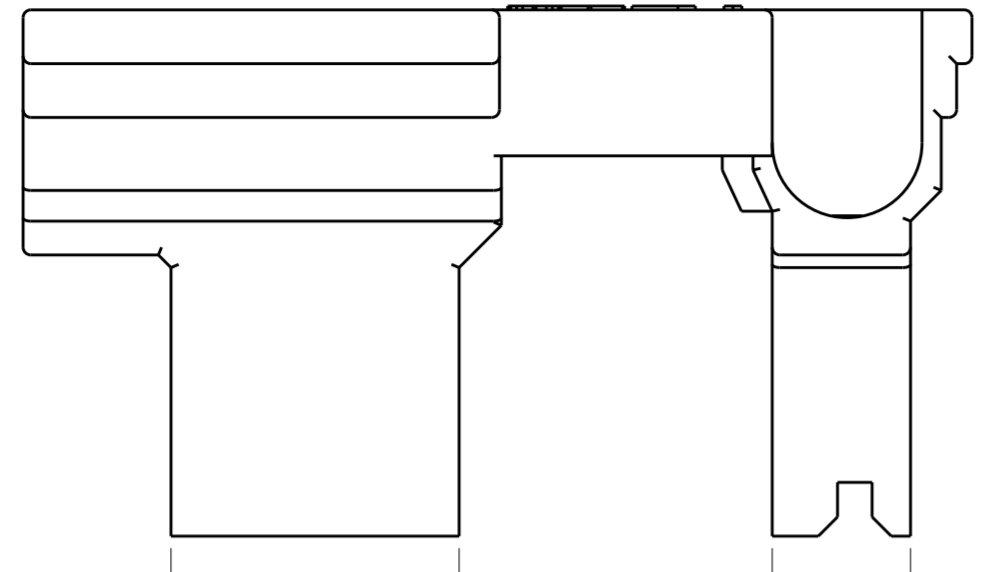


THIS DRAWING IS UNPUBLISHED. RELEASED FOR PUBLICATION 20  
 © COPYRIGHT 20 BY - ALL RIGHTS RESERVED.

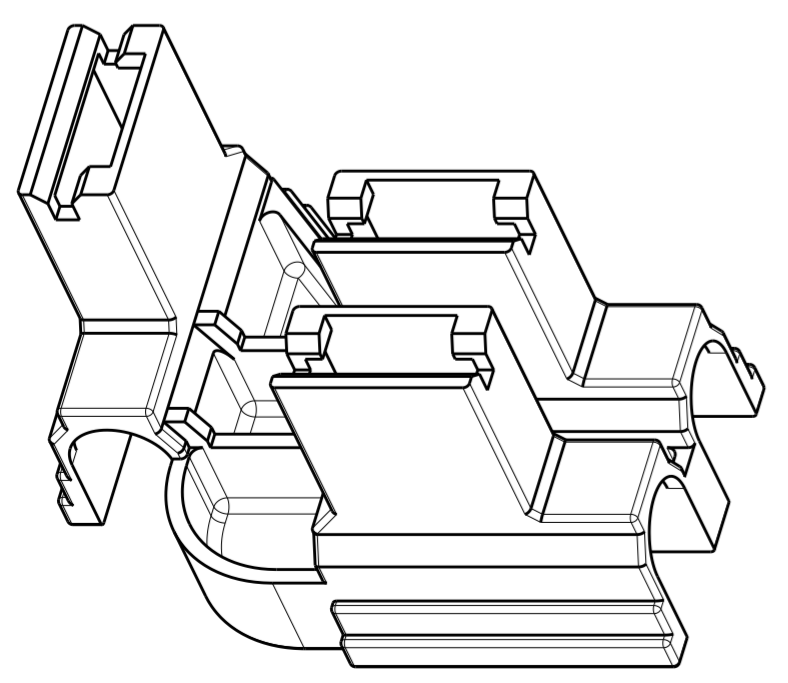
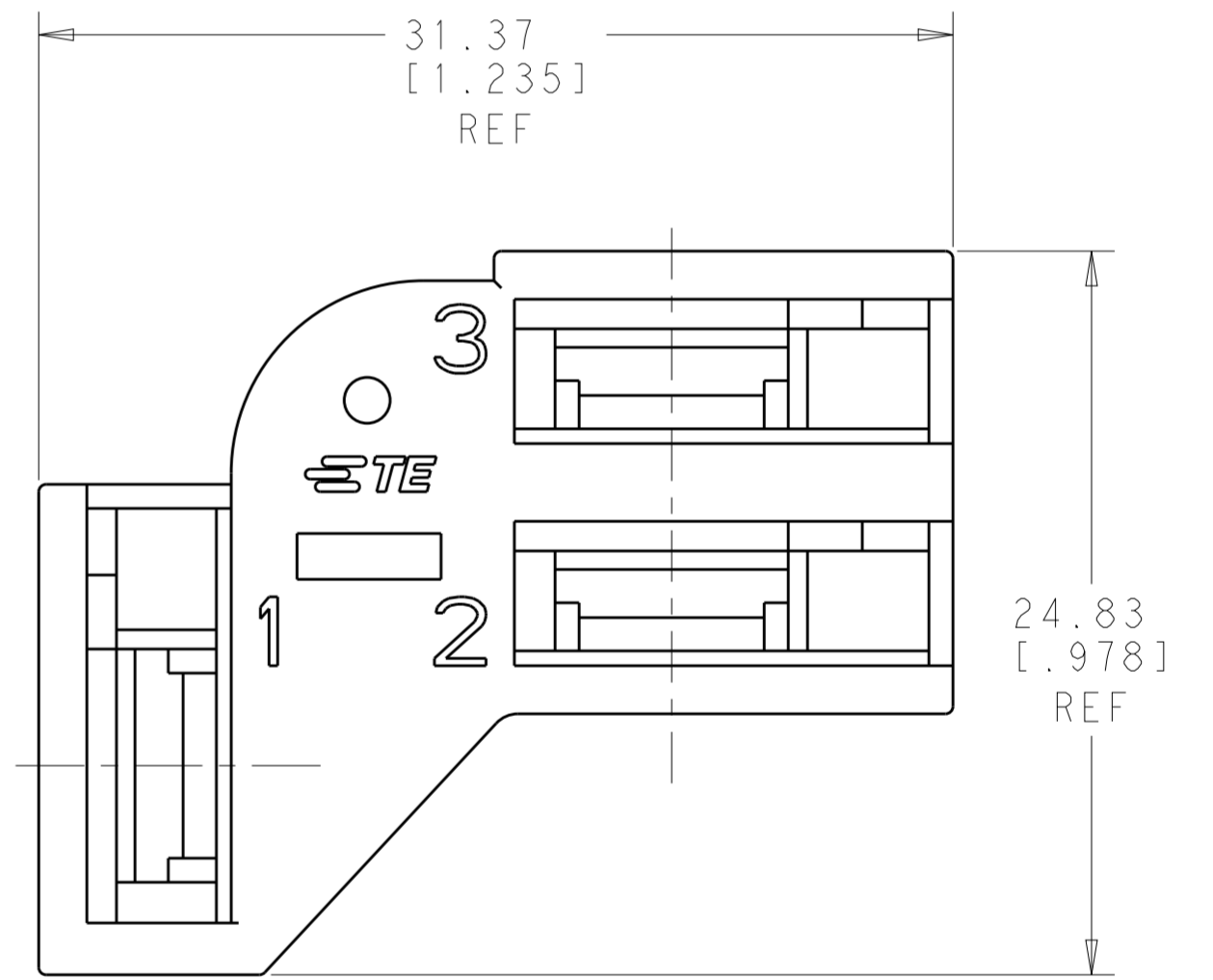
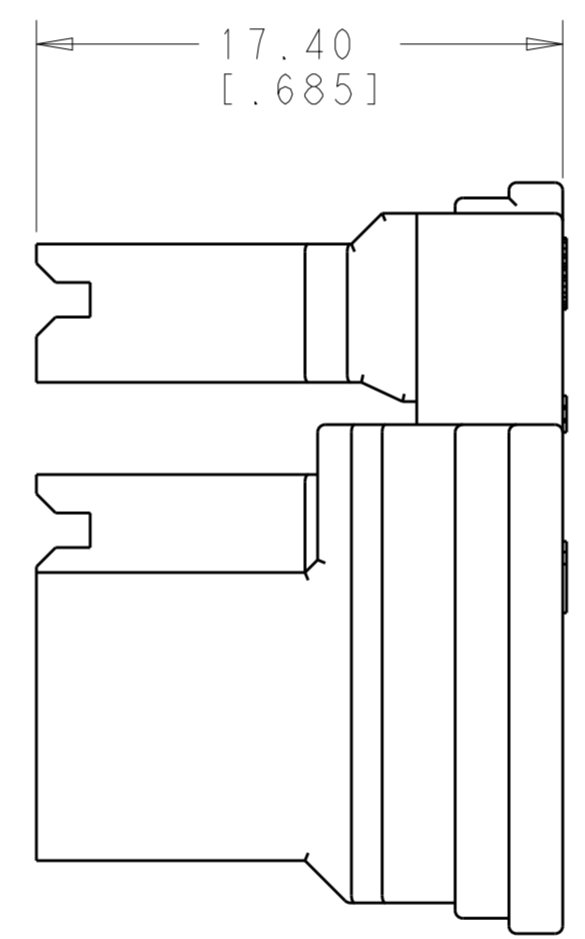
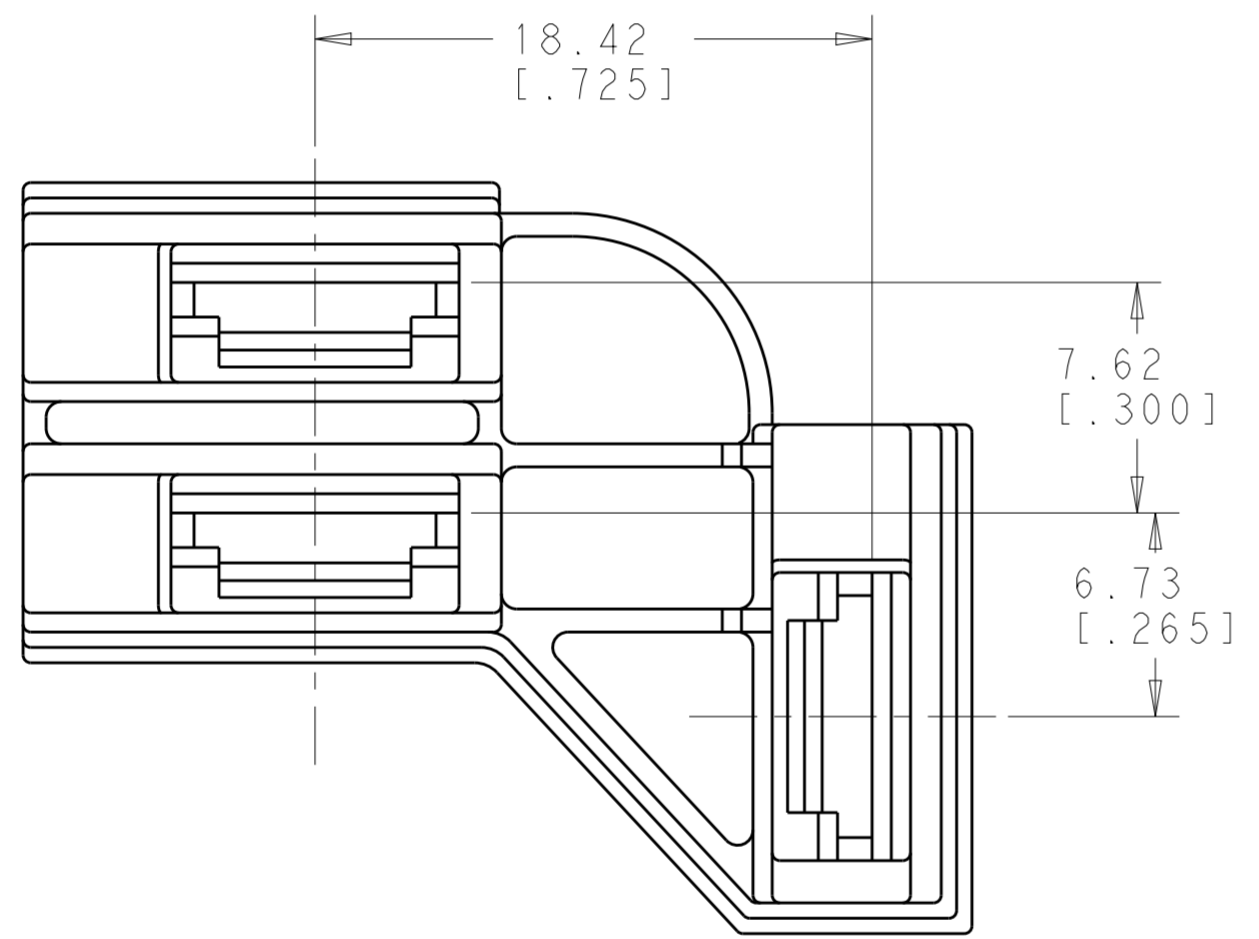
REVISIONS				
P	LTR	DESCRIPTION	DATE	APVD
B		REVISED PER ECR-18-006282	28MAY2018	BDA DS



- 1 THIS PART ACCEPTS TERMINAL 63009 OR 63963 18-14 GAUGE WIRE.
- 2 FOR PROPER ENGAGEMENT THE MATING TAB MUST HAVE A MIN OF .315 USEABLE LENGTH.
- 3 NOT FOR PRODUCTION: AGENCY APPROVAL IS PENDING.
- 4 OBSOLETE PARTS

9.53  
[.375]

4.57  
[.180]



SCALE 3:1

	NATURAL	66 Nylon V0 Natural	1-1969705-1
4	SUPERSEDED BY 1-1969705-1	-	<del>1969705-1</del>
	COLOR	MATERIAL	PART NO.

THIS DRAWING IS A CONTROLLED DOCUMENT.		DWN JR RUTH 17OCT14	<b>STE</b> TE Connectivity	
DIMENSIONS: mm [INCHES]		CHK DAVE HUMPHREY 17OCT14		
TOLERANCES UNLESS OTHERWISE SPECIFIED:		APVD DAVE HUMPHREY 17OCT14	NAME HOUSING, RECEPTACLE, FLAG FASTON, 6.35 [.250] SERIES, 3 POSITION	
0 PLC ±		PRODUCT SPEC	SIZE CAGE CODE DRAWING NO RESTRICTED TO	
1 PLC ±		APPLICATION SPEC	A200779 C-1969705	
2 PLC ±0.25 [.010]		WEIGHT	SCALE 4:1 SHEET 1 OF 1 REV B	
3 PLC ±				
4 PLC ±				
ANGLES ±				
FINISH				
MATERIAL NYLON, V0 NO DRIP				
COLOR-NATURAL				