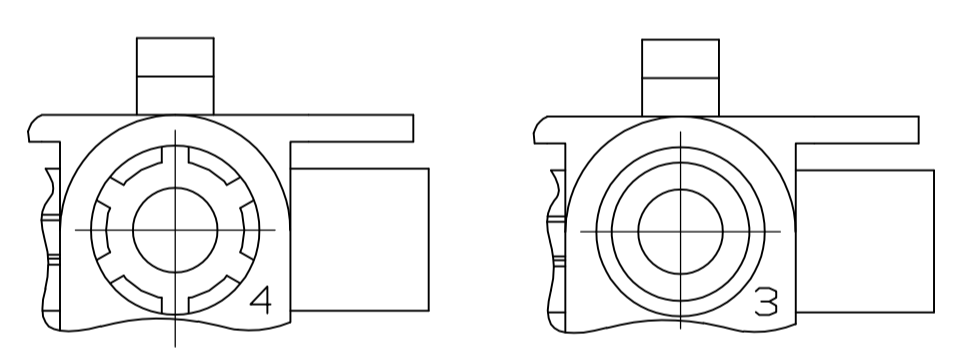
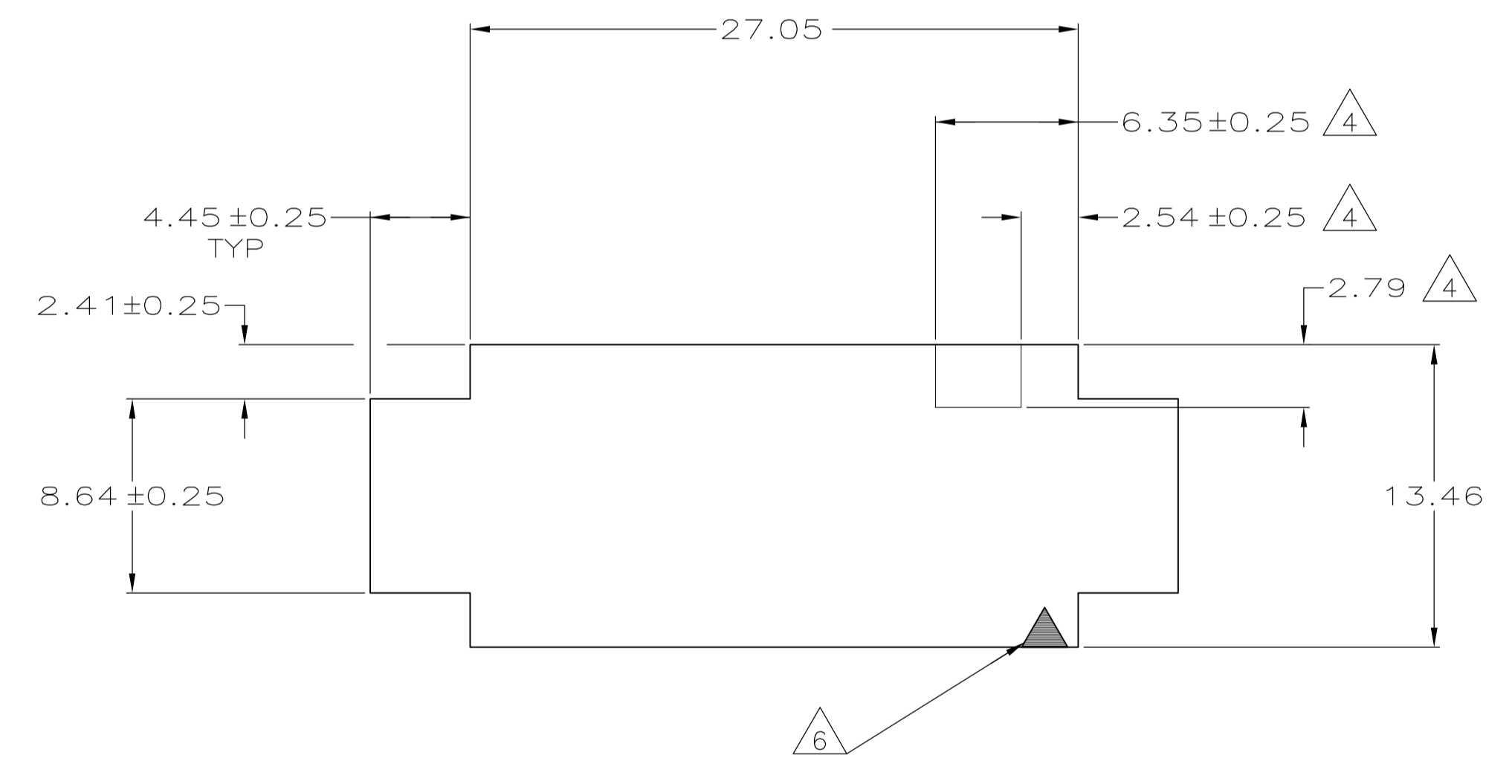
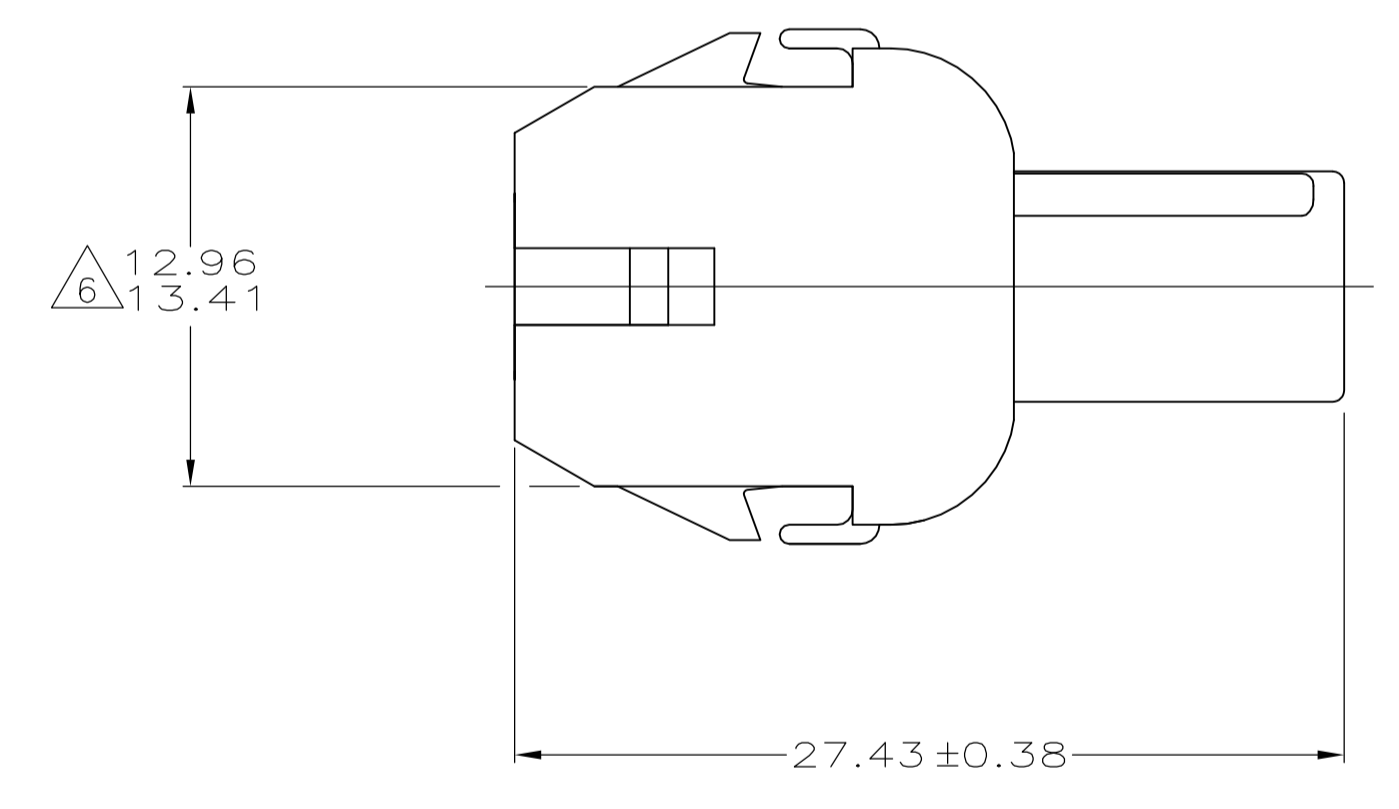


SEE DETAIL A

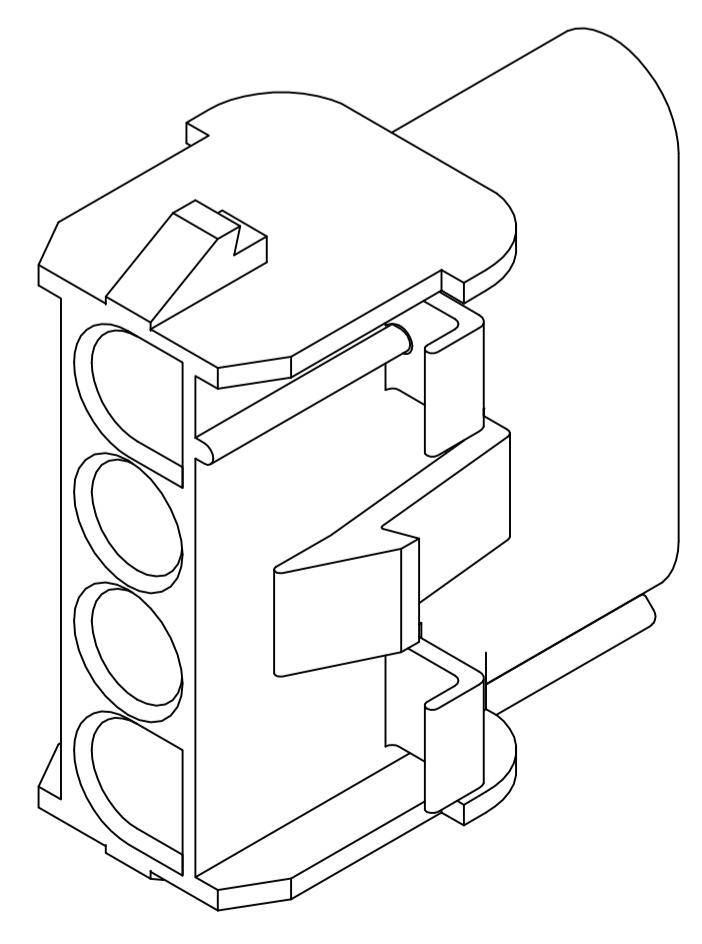
- 1 MATES WITH APPROPRIATE UNIVERSAL MATE-N-LOK™ PLUG.
- 2 RECOMMENDED PANEL THICKNESS 0.76 - 2.29.
- 3 PANEL MUST BE PUNCHED SO THAT THE HOUSING ENTERS THE PANEL IN THE SAME DIRECTION AS THE PUNCH.
- 4 OPTIONAL FOR KEYING HOUSING IN PANEL.
- 5 CIRCUIT NUMBER 1 LOCATION.
- 6 UPPER DIMENSION REPRESENTS POTENTIAL MAXIMUM GROWTH DUE TO MOISTURE ABSORPTION.
- 7 FOUR RIBS EQUALLY SPACED, NO SPECIFIC ORIENTATION, NO RIBS OR SIX RIBS EQUALLY SPACED, NO SPECIFIC ORIENTATION, OPTIONAL.
- 8 UNDERWRITERS RECOGNIZED COMPONENT LOGO AND CSA CERTIFICATION LOGO TO BE LOCATED ONCE EACH ON SIDE OF HOUSING.
- 9 150° C TEMPERATURE RATING FOR THIS HOUSING IS FOR SHORT TERM DURATION. MAX OPERATING TEMPERATURE REMAINS 125° C.
- 10 PHOSPHOR BRONZE CONTACTS SHOULD ALWAYS BE USED WITH THIS HOUSING.



DETAIL A
OPTIONAL CONSTRUCTIONS



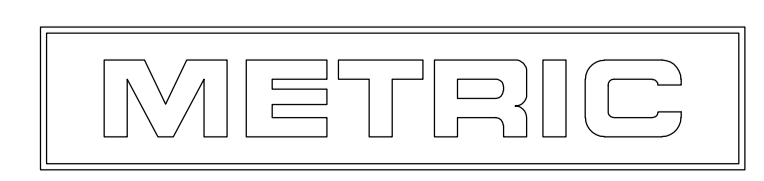
RECOMMENDED PANEL CUT OUT



3-DIMENSIONAL MODEL
NTS

7.62	.300	27.43	1.080
6.35	.250	27.10	1.067
4.45	.175	27.05	1.065
2.79	.110	26.67	1.050
2.54	.100	13.46	.530
2.41	.095	13.41	.528
2.29	.090	12.96	.510
0.76	.030	8.64	.340
0.38	.015	8.13	.320
MM	IN	MM	IN

CONVERSION TABLE



THIS DRAWING IS A CONTROLLED DOCUMENT.		DIN K. WHITAKER 15-NOV-2001	Tyco Electronics Corporation Harrisburg, PA 17105-3608
DIMENSIONS: mm		CHK S. RIDGILL 15-NOV-2001	
TOLERANCES UNLESS OTHERWISE SPECIFIED: 0. PLC ± - 1. PLC ± - 2. PLC ± 0.13 3. PLC ± - 4. PLC ± - ANGLES ± 0° 30'		APVD S. RIDGILL 15-NOV-2001	NAME CAP, 4 CIRCUIT, UNIVERSAL MATE-N-LOK™ TM
MATERIAL NYLON, UL 94-2, BLACK		FINISH -	SIZE A1
CUSTOMER DRAWING		SCALE 4:1	RESTRICTED TO SHEET 1 OF 1 REV A1

794707-1
PART NUMBER