

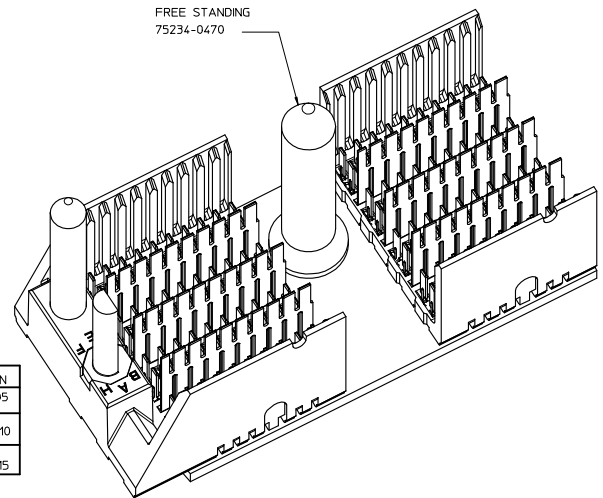
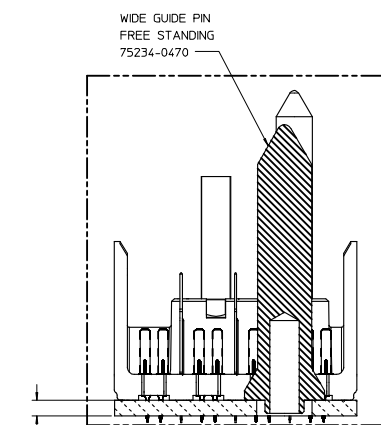
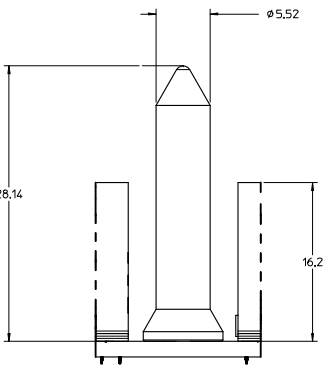
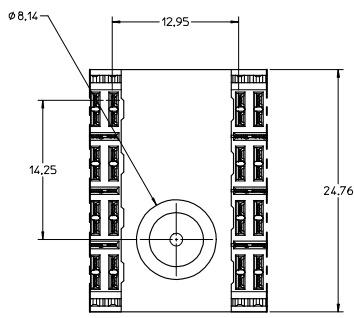
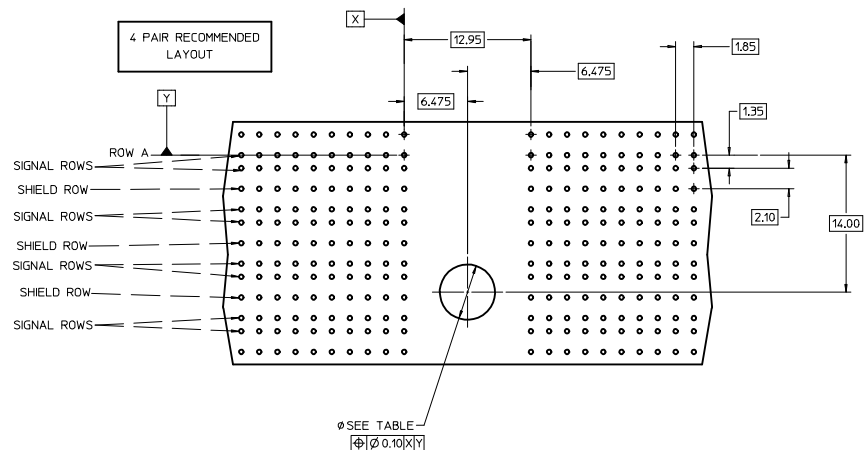
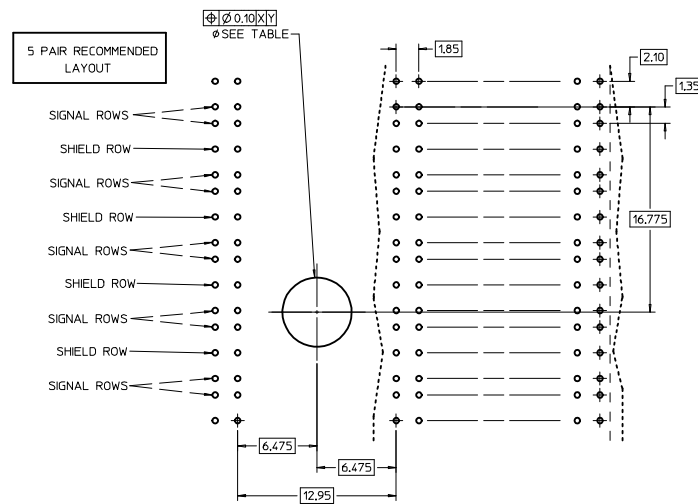
- NOTES:
 1. REFER TO BACKPLANE SALES DRAWINGS FOR ROW AND COLUMN ASSIGNMENTS.
 2. INSTALLATION TORQUE SPECIFICATIONS = 7.8 - 8.5 IN-LBS.
 3. PLATED THRU HOLE TO CONNECT TO CHASSIS FOR GROUNDED GUIDE MODULE OPTION.
 4. REFER TO PS-75221-999 FOR GBX PRODUCT SPECIFICATION.

TABLE #1 - HOLE SPECIFICATIONS

FINISHED HOLE SIZE	GROUNDING	UNGROUNDING
	Ø5.58-5.73	Ø5.58-5.73
PAD	Ø 8.5	N/A
PLATED	YES	NO
DRILL (mm)	5.79mm	5.61mm
DRILL (IN)	0.228"	0.221"

TABLE #2 - SCREW SPECIFICATIONS

SCREW P/N	DESCRIPTION	BOARD THICKNESS
73774-3005	#6-32 x 0.375" LONG SQUARE CONICAL MACHINE SCREW	1.6-4.0 mm
73774-3010	#6-32 x 0.500" LONG SQUARE CONICAL MACHINE SCREW	4.0-7.5 mm
73774-3015	#6-32 x 0.625" LONG SQUARE CONICAL MACHINE SCREW	7.5-10.0 mm



KIT P/N	BOARD THICKNESS	GUIDE PIN P/N	SCREW P/N
75234-1470	1.6 - 5.0mm	75234-0470	73774-3005
75234-2470	5.0-8.0 mm	75234-0470	73774-3010
75234-3470	8.0-10.0 mm	75234-0470	73774-3015

MINOR REVISION EC NO: UCP2007-3172 DRAWN: BINGHAM 2007/06/18 CHKD: 2007/06/18 APPR: SREED 2007/06/20 REV A2	QUALITY SYMBOLS -0 -0 DRAFT WHERE APPLICABLE MUST REMAIN WITHIN DIMENSIONS	GENERAL TOLERANCES (UNLESS SPECIFIED) .mm INCH		SCALE 4:1 DESIGN UNITS METRIC DIMENSION STYLE MM ONLY	THIRD ANGLE PROJECTION REVISE ON CAD ONLY
		4 PLACES ± --- ± --- 3 PLACES ± --- ± --- 2 PLACES ± --- ± --- 1 PLACE ± --- ± --- ANGULAR ± ---°	DRAWN BY NMARTIN CHECKED BY JLAURX APPROVED BY SREED	DATE 2004/08/04 DATE 2004/08/04 DATE 2004/08/04	TITLE GBX BACKPLANE WIDE GUIDE PIN FREE STANDING BOARD LAYOUT DRAWING
		MATERIAL NO. SEE CHART DOCUMENT NO. SD-75234-110		MOLEX MOLEX INCORPORATED	SHEET NO. 1 OF 1
		THIS DRAWING CONTAINS INFORMATION THAT IS PROPRIETARY TO MOLEX INCORPORATED AND SHOULD NOT BE USED WITHOUT WRITTEN PERMISSION			