

NOTES:

1. METALSHELLS: STEEL; min. 315µm TIN over 40-80µm NICKEL
2. INSULATORS: PBT GF UL 94 V-0; BLACK
3. CONTACTS: COPPER ALLOY; PLATING (SEE PART NO):
 - PLEASE ADD A for GOLD FLASH over NICKEL (PREFERRED TYPE)
 - PLEASE ADD B for 20µm HARD GOLD over min. 50µm NICKEL
 - PLEASE ADD C for 30µm HARD GOLD over min. 50µm NICKEL
4. MOUNTING BRACKET: PBT GF UL 94 V-0; BLACK
5. THREADED LOCKS: COPPER ALLOY; min. 200µm TIN over 80µm NICKEL
6. GROUNDING CLIPS: COPPER ALLOY; min. 200µm TIN over 80µm NICKEL
PCB-HOLE: Ø3.1±0.1; PCB THICKNESS 1.6mm
7. P.C.B. HOLE DRILLINGS ON SHEET 2
8. MAXIMUM TORQUE VALUE FOR THREAD: 6 in.LB
9. CONNECTOR IS PART MARKED: **164□13109X CONEC ABC** (see note 3)

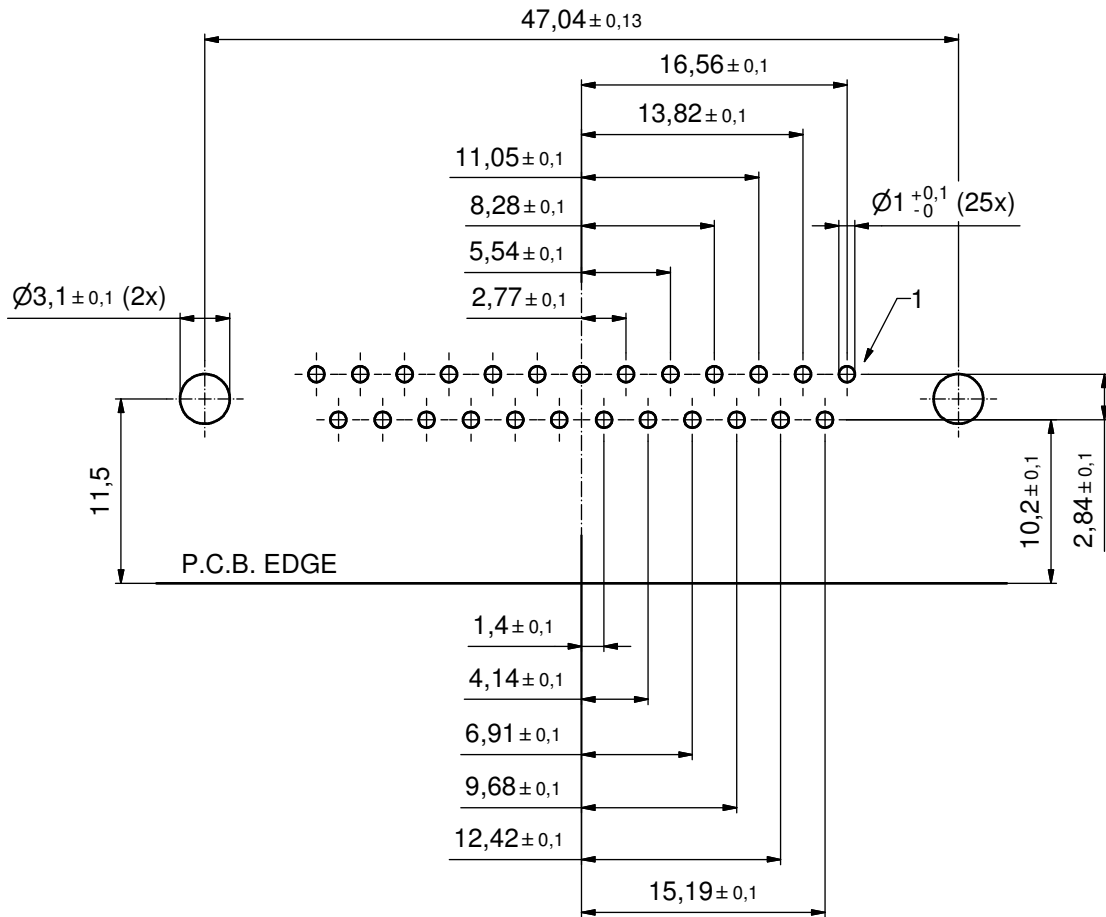
Directive 2002/95/EC RoHS compliant

| | | | | | | | | |
|---|--------------------|---|------|--------------------------------------|----------|------------------|---------------------|--|
| THIS DRAWING MAY NOT BE COPIED OR REPRODUCED IN ANY WAY, AND MAY NOT BE PASSED ON TO A THIRD PARTY WITHOUT WRITTEN PERMISSION. OWNERSHIP AND COPYRIGHT OF CONEC GmbH DO NOT ALTER CAD DRAWING BY HAND | | | | tolerance | | dim. in mm | scale: 2:1 (5:1) | |
| | | | | date | | | material: SEE NOTES | |
| | | | | name | | title: | | |
| | | | | drawn | 11.07.14 | D-SUB FEMALE 90° | | |
| appd. | 18.07.14 | 25pos. SOLDER PIN ANGLED 0.370inch | | | | | | |
| norm | | threaded lock, mounting bracket, grounding clip | | | | | | |
| d-old | 16K11GLA/16K1A1148 | dwg no: | | | | | | |
| 4 x b | A5273 | 11.07.2014 | K.H. | DIN-A3 | | | | |
| a | Original | | | sh: 1/2 | | | | |
| rev. | description | date | name | part no: (b) 16K1A3482 | | | | |
| | | | | part no: (b) 164□13109X (see note 3) | | | | |



P.C.B. HOLE DRILLINGS

(P.C.B. TOP SIDE)



| | | | | | | | |
|---|------|-------------|------|---------------------------|-----------------------|--|---------|
| THIS DRAWING MAY NOT BE COPIED OR REPRODUCED IN ANY WAY, AND MAY NOT BE PASSED ON TO A THIRD PARTY WITHOUT WRITTEN PERMISSION. OWNERSHIP AND COPYRIGHT OF CONEC GmbH DO NOT ALTER CAD DRAWING BY HAND | | | | tolerance | | scale: 3:1 | |
| | | | | dim. in mm | | material: SEE SHEET 1 | |
| | | | | date | name | title: P.C.B. HOLE DRILLINGS D-SUB FEMALE 90° 25pos. threaded lock,mounting bracket,grounding clip | |
| | | | | drawn | 11.07.14 Henneboel | | |
| | | | | appd. | 18.07.14 Lehmenkühler | | |
| | | | | norm | | | |
| | | | | d-old | | dwg no: | |
| | a | Original | | CONEC [®] | | 16K1A3482 | DIN-A3 |
| | rev. | description | date | | | name | sh: 2/2 |
| | | | | | | part no: SEE SHEET 1 | |