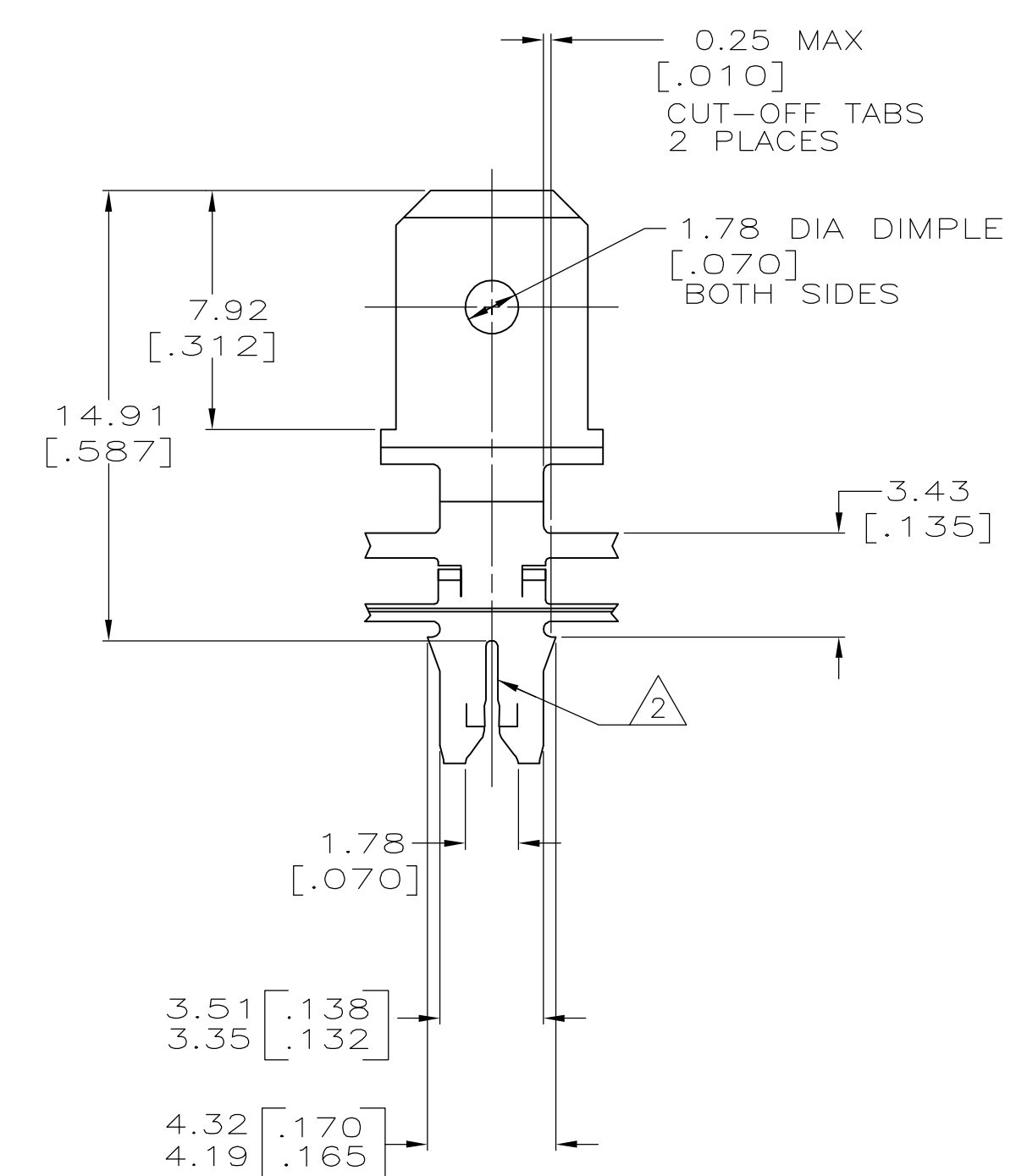
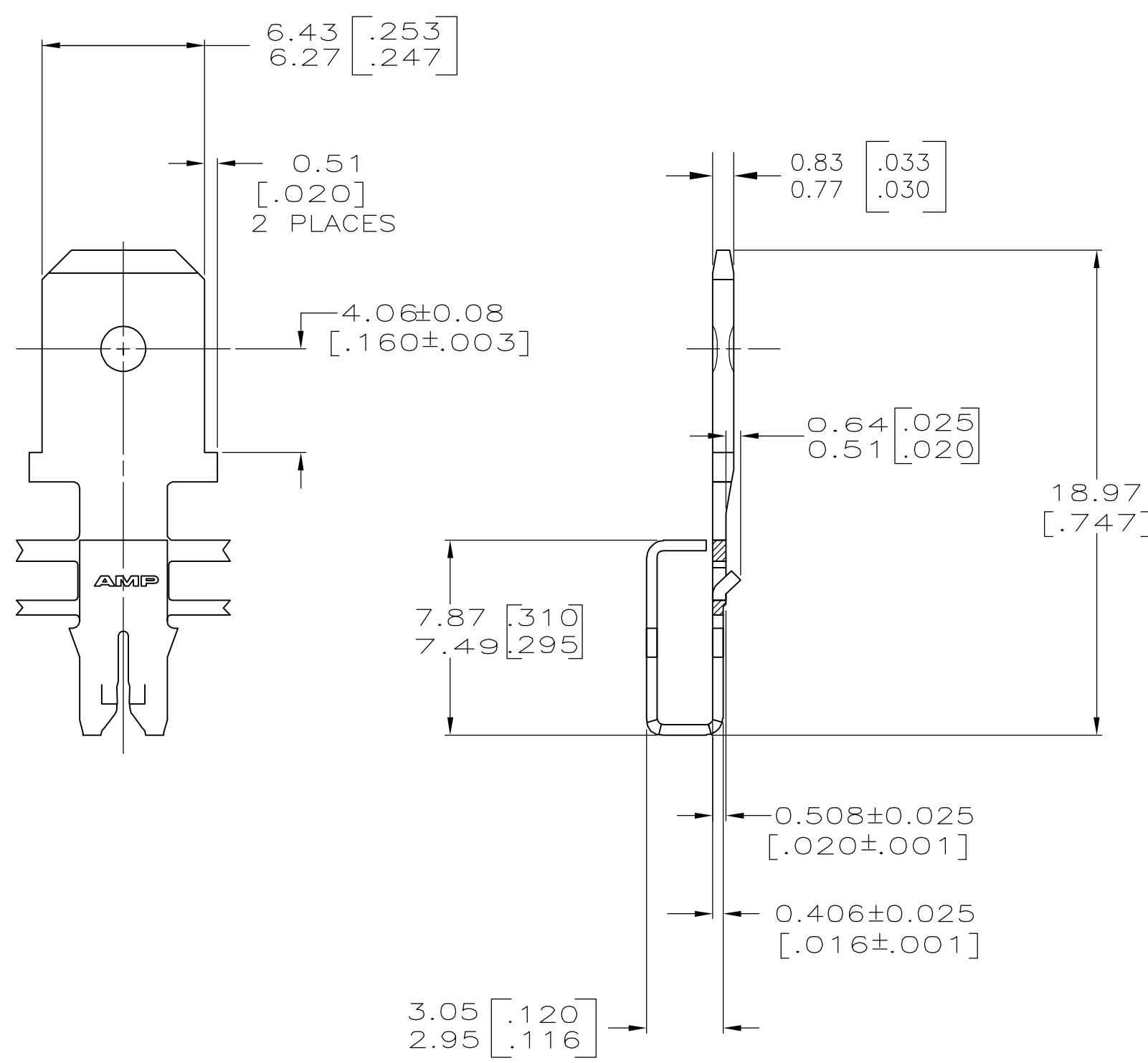


THIS DRAWING IS UNPUBLISHED. RELEASED FOR PUBLICATION
 © COPYRIGHT BY TYCO ELECTRONICS CORPORATION. ALL RIGHTS RESERVED.

LOC		DIST		REVISIONS			
P	LTR	DESCRIPTION		DATE	DWN	APVD	
AF	50	B	REVISED PER ECR-06-010412	02NOV06	HMR	KR	



- 1 CONTINUOUS STRIP ON REELS WITH TERMINALS LOCATED ON 8.38±0.08 [.330±.003] CENTERS.
- 2 SLOT ACCEPTS A SINGLE COPPER MAGNET WIRE. WIRE RANGE: 0.57-0.81mm [#23-#20] AWG.



1217870-1
PART NUMBER

THIS DRAWING IS A CONTROLLED DOCUMENT.		DWN MICHAEL S. FEHER	30AUG2002		Tyco Electronics Corporation Harrisburg, PA 17105-3608																			
DIMENSIONS: mm [INCHES]		CHK KURT A. RANDOLPH	30AUG2002		NAME KURT A. RANDOLPH																			
TOLERANCES UNLESS OTHERWISE SPECIFIED:		APVD KURT A. RANDOLPH	30AUG2002	PRODUCT SPEC 108-2012																				
<table border="1"> <tr><td>0 PLC</td><td>±</td><td>-</td></tr> <tr><td>1 PLC</td><td>±</td><td>-</td></tr> <tr><td>2 PLC</td><td>±</td><td>0.25[.010]</td></tr> <tr><td>3 PLC</td><td>±</td><td>-</td></tr> <tr><td>4 PLC</td><td>±</td><td>-</td></tr> <tr><td>ANGLES</td><td>±</td><td>-</td></tr> </table>		0 PLC	±	-	1 PLC	±	-	2 PLC	±	0.25[.010]	3 PLC	±	-	4 PLC	±	-	ANGLES	±	-	APPLICATION SPEC 114-2067		SIZE A2	CAGE CODE 00779	DRAWING NO 1217870
0 PLC	±	-																						
1 PLC	±	-																						
2 PLC	±	0.25[.010]																						
3 PLC	±	-																						
4 PLC	±	-																						
ANGLES	±	-																						
MATERIAL 082 PRE-MILLED	FINISH 0.002032[.000080]	WEIGHT -	CUSTOMER DRAWING		RESTRICTED TO -																			
SCALE 5:1				SHEET 1 of 1	REV B																			