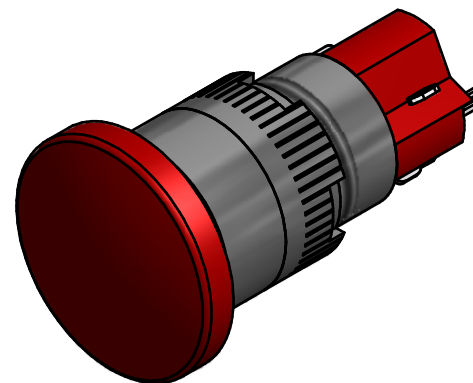
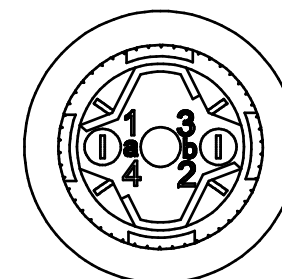
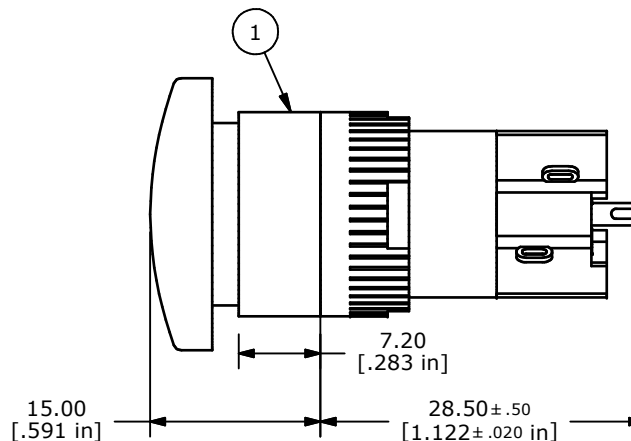
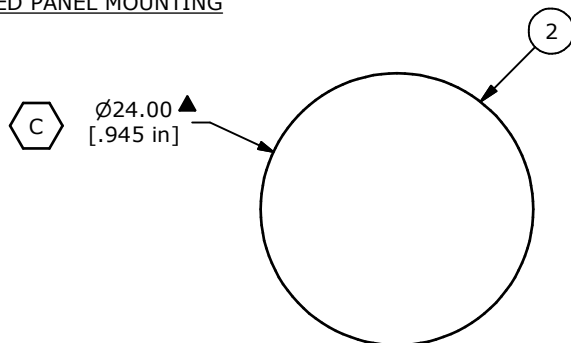


CONTACT CONFIGURATION  
(a AND b ARE NOT USED)



RECOMMENDED PANEL MOUNTING



NOTE:

1. ALL DIMENSIONS IN MM [INCH].
2. GENERAL TOLERANCE: X.X=±0.4  
X.XX=±0.25
3. TERMINAL NUMBERS FOR REF ONLY.
- ▲ 4. CONTACT RATING: 5A @ 250VAC,  
8A @ 125VAC,  
6A @ 24VDC
5. ELECTRICAL LIFE: 50,000 OPERATIONS
6. INSULATION RESISTANCE: 1,000 MEGA-OHM MIN.
7. CONTACT MATERIAL: SILVER PLATED COPPER ALLOY
- ▲ 8. ACTUATION FORCE: 300g / POLE
9. OPERATING TEMP.: -25°C to +55°C
10. ▲ DENOTES CRITICAL PARAMETER.
11. 2002/95/EC (ROHS) COMPLIANT

PARTS LIST

ITEM	QTY	PART NUMBER	DESCRIPTION
1	1	F040006	D16EER11
2	1	F051202	50-012-02 OPAQUE RED LENS



C	21572	CORRECT BUTTON DIAMETER	9/8/14	EBP
B	19788	DRAWING CLEAN UP / UPDATE	3/23/11	BGL
REV	PCR NO	DESCRIPTION	DATE	BY

TITLE D16EER10RED				
SCALE	DATE	DR	DWG	REV
1.5:1	3/23/2011	BGL	XF0339P	C

THE INFORMATION CONTAINED IN THIS DOCUMENT IS PROPRIETARY TO E-SWITCH AND IS NOT TO BE COPIED OR TRANSFERRED