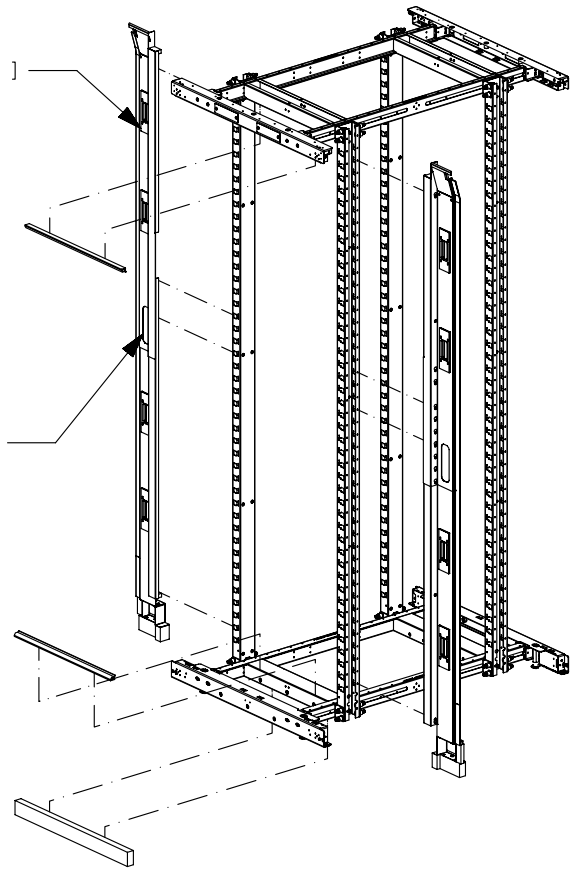


THIS COPY IS PROVIDED ON A RESTRICTED BASIS AND IS NOT TO BE USED IN ANY WAY DETRIMENTAL TO THE INTERESTS OF PANDUIT CORP.

(4) 38 [1.5] X 127 [5]
PASS THRU OPENINGS
PER SIDE FOR 42-48RU
APPLICATIONS

(5) 38 [1.5] X 127 [5]
PASS THRU OPENINGS
PER SIDE FOR 51RU
APPLICATIONS



NOTE:
(2) ADDITIONAL CABLE
PROTECTION BEZELS,
CTCN1X5, TO BE PURCHASED
SEPARATELY WHEN NVBP IS
EXPANDED TO 51RU.

APPLICATION VIEW -
CABINET NOT INCLUDED

PANDUIT PART NO.	WEIGHT
NVBP	18.8 LBS/EACH 8.5 Kg/EACH

- VISIT OUR ON-LINE CATALOG AT WWW.PANDUIT.COM FOR A LIST OF CURRENT PARTS APPLICABLE FOR USE WITH THIS PRODUCT.
- DIMENSIONS IN PARENTHESES ARE INCHES [in].
- VERTICAL BLANKING PANELS BLOCK BYPASS AIR AND DIRECT COLD AIRFLOW THROUGH EQUIPMENT.
- PARTS SUPPLIED:
1- 42-51RU RIGHT VERTICAL BLANKING PANEL
1- 42-51RU LEFT VERTICAL BLANKING PANEL
1- HARDWARE AND SEAL KIT
1- INSTRUCTION SHEET
- FULLY BONDED STRUCTURE WHEN ASSEMBLED PER INSTRUCTIONS.
- COMPATIBLE WITH CTGN1X5 COOL BOOT.

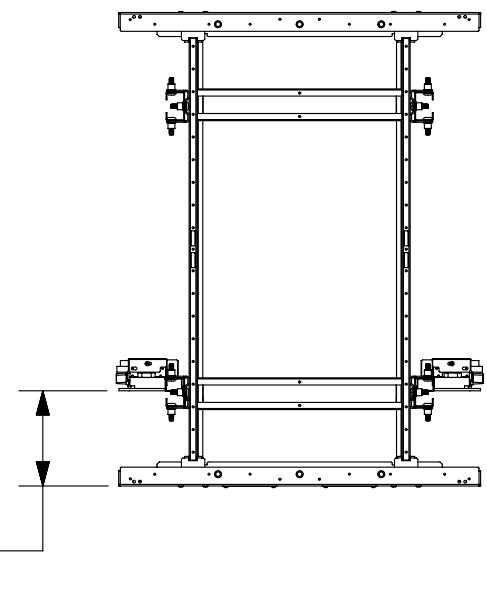
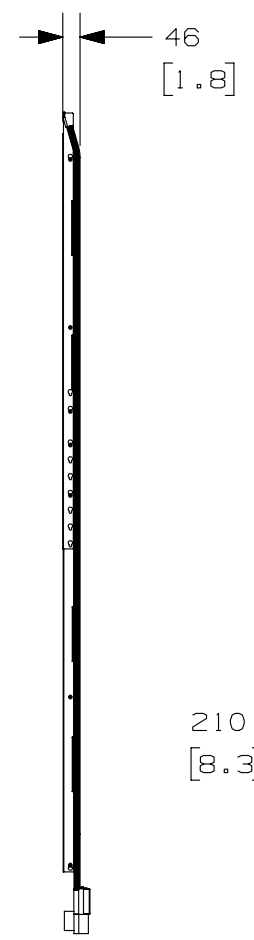
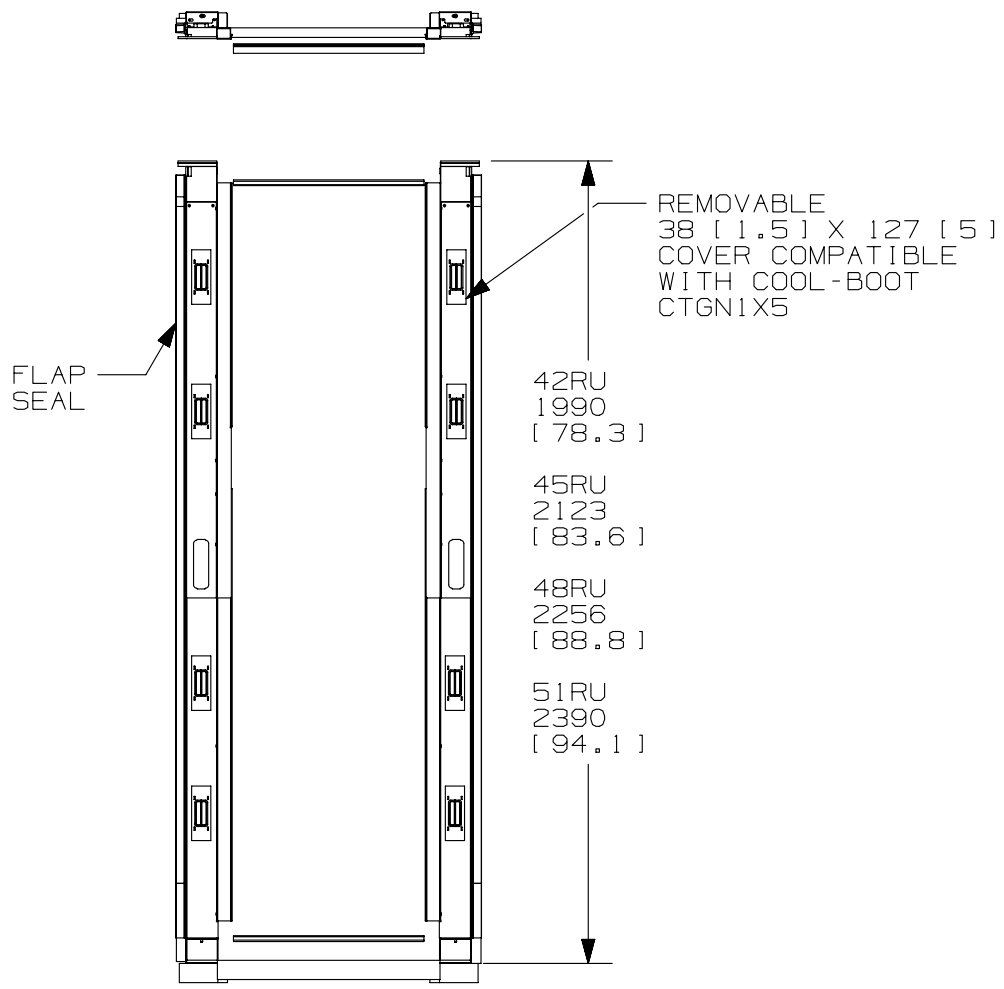
REV	DATE	BY	CHK	APR	DESCRIPTION	ECN
04A	10-10-14	ROJC	ROJC	TCN	UPDATED MODEL	12V343CT_DC

TITLE		VERTICAL BLANKING PANELS FOR N-TYPE CABINETS NVBP	
CUSTOMER DRAWING			
ITEM REVISION NAME	12V343CT/04	PANDUIT	
DATASET FILE NAME	12V343CT_DC/04A		
UNLESS OTHERWISE SPECIFIED, DIMENSIONAL TOLERANCES ARE:		MATERIAL:	N/A
DRAWING NUMBER:		12V343CT_DC	
DRAWN BY	DATE	CHK	SCALE
TWV	12-14-12	BSN	NONE
SHT 1 OF 2		A	

THIS COPY IS PROVIDED ON A RESTRICTED BASIS AND IS NOT TO BE USED IN ANY WAY DETRIMENTAL TO THE INTERESTS OF PANDUIT CORP.

2

1



B

B

A

A

TITLE		VERTICAL BLANKING PANELS FOR N-TYPE CABINETS NVBP		
CUSTOMER DRAWING				
ITEM REVISION NAME	12V343CT/04		PANDUIT	
DATASET FILE NAME	12V343CT_DC/04A			
UNLESS OTHERWISE SPECIFIED, DIMENSIONAL TOLERANCES ARE:			MATERIAL: N/A	
DRAWING NUMBER: 12V343CT_DC				
DRAWN BY T WV		DATE 12-14-12	CHK BSN	SCALE NONE
SHT 2 OF 2		A		

04A	10-10-14	ROJC	ROJC	TCN	SEE SHEET 1 FOR REVISIONS	12V343CT_DC
REV	DATE	BY	CHK	APR	DESCRIPTION	ECN

2

1