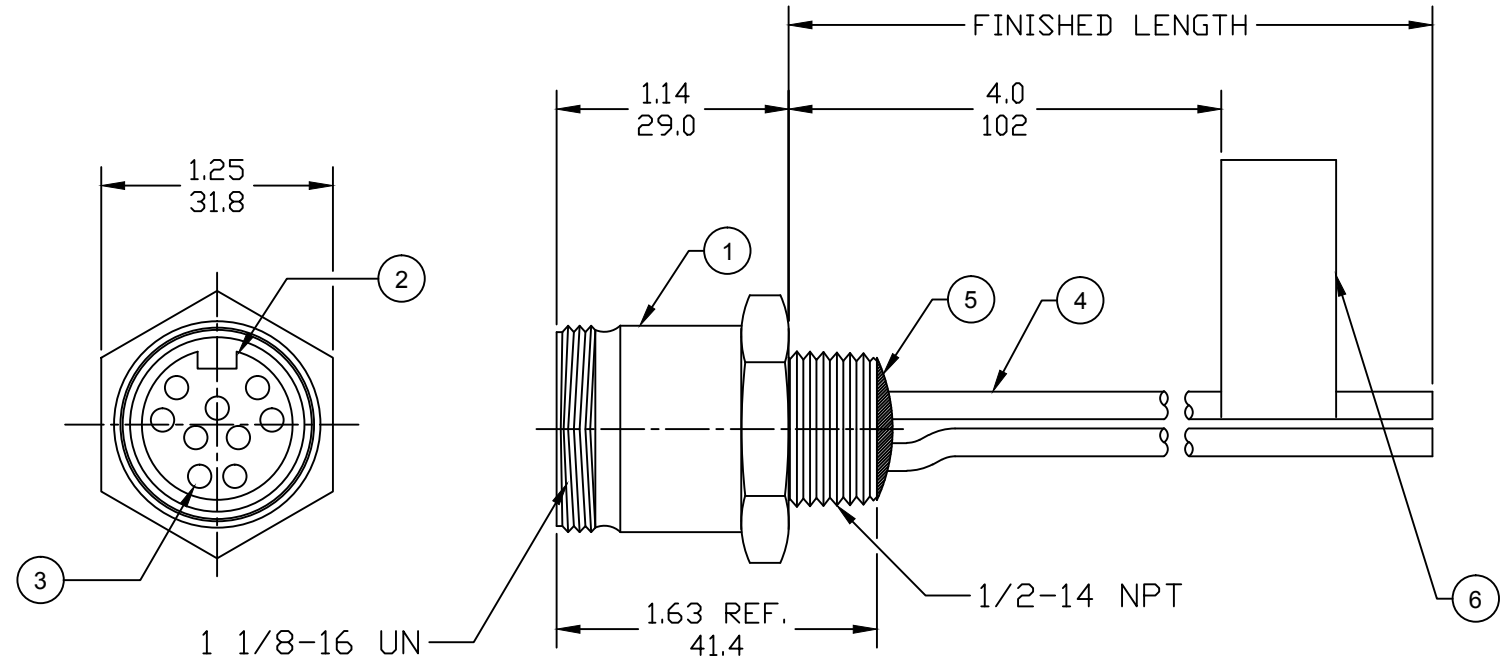


FACE VIEW-MALE INSERT		
1 ORANGE 2 BLUE 3 RED/BLACK 4 GREEN/BLACK 5 WHITE 6 RED 7 GREEN/YELLOW 8 WHITE/BLACK 9 BLACK	1 ORANGE 2 BLUE 3 WHITE/BLACK 4 RED/BLACK 5 GREEN/BLACK 6 ORANGE/BLACK 7 RED 8 GREEN/YELLOW 9 BLACK 10 WHITE	1 ORANGE 2 BLUE 3 WHITE/BLACK 4 RED/BLACK 5 GREEN/BLACK 6 ORANGE/BLACK 7 BLUE/BLACK 8 BLACK/WHITE 9 GREEN/YELLOW 10 RED 11 WHITE 12 BLACK



- NOTES:**
- MATERIAL: AS NOTED
 - FINISH: AS NOTED
 - ELECTRICAL:
 VOLTAGE: 250V PER IEC60664
 600V PER UL2238
 CURRENT: 9 POLE: 7A
 10 POLE: 7A
 12 POLE: 5A
 - TEMP RATING: -20°TO +105°C
 - PROTECTION: IP67 (WHEN MATED)
 - DIMS ARE FOR REFERENCE UNLESS OTHERWISE NOTED

PART NUMBER LEGEND

3R1006A20F0101

- POLES: 9= 9 POLES, 1=10 POLES, 2=12 POLES
- LENGTH: A120= 12 INCHES, F001= .1 FT, F020= 2 FT, F200= 20 FT, M005= 0.5 METER, M010= 1 METER, M100= 10 METER
- COUPLING: BLANK= STD (SEE BOM), 1= 303 STAINLESS ST.

ITEM	DESCRIPTION	MATERIAL	FINISH
6	FLAG LABEL	VINYL	BLACK/YELLOW
5	POTTING MATERIAL	EPOXY	
4	WIRE, 16 AWG UL (1015)	PVC INSULATION	SEE CHART
3	CONTACT PIN	COPPER ALLOY	GOLD PLATED
2	MALE INSERT (C-SIZE)	PVC	YELLOW
1	RECEPTACLE SHELL	ZINC DIE-CAST	BLACK

EC NO: IPG2017-0578 DRWN: RSTONE 2016/12/08 CHKD: K COX 2016/12/15 APPR: BWOODMAN 2017/02/02	DESCRIPTION REV	QUALITY SYMBOLS	GENERAL TOLERANCES (UNLESS SPECIFIED) mm INCH 4 PLACES ±--- ±--- 3 PLACES ±--- ±--- 2 PLACES ±--- ±--- 1 PLACE ±--- ±--- ANGULAR ±2° DRAFT WHERE APPLICABLE MUST REMAIN WITHIN DIMENSIONS	DIMENSION STYLE	SCALE --- DESIGN UNITS INCH THIRD ANGLE PROJECTION	DRAWN BY DATE RSTONE 2016/12/08		TITLE MINI-CHANGE RECEPTACLE 9, 10, & 12P MALE 16 AWG MOLEX INCORPORATED DOCUMENT NO. SD-130015-027 SHEET NO. 1 OF 1
		CHECKED BY DATE K COX 2016/12/15						
		APPROVED BY DATE BWOODMAN 2017/02/02						
		MATERIAL NO. ---						
THIS DRAWING CONTAINS INFORMATION THAT IS PROPRIETARY TO MOLEX INCORPORATED AND SHOULD NOT BE USED WITHOUT WRITTEN PERMISSION								