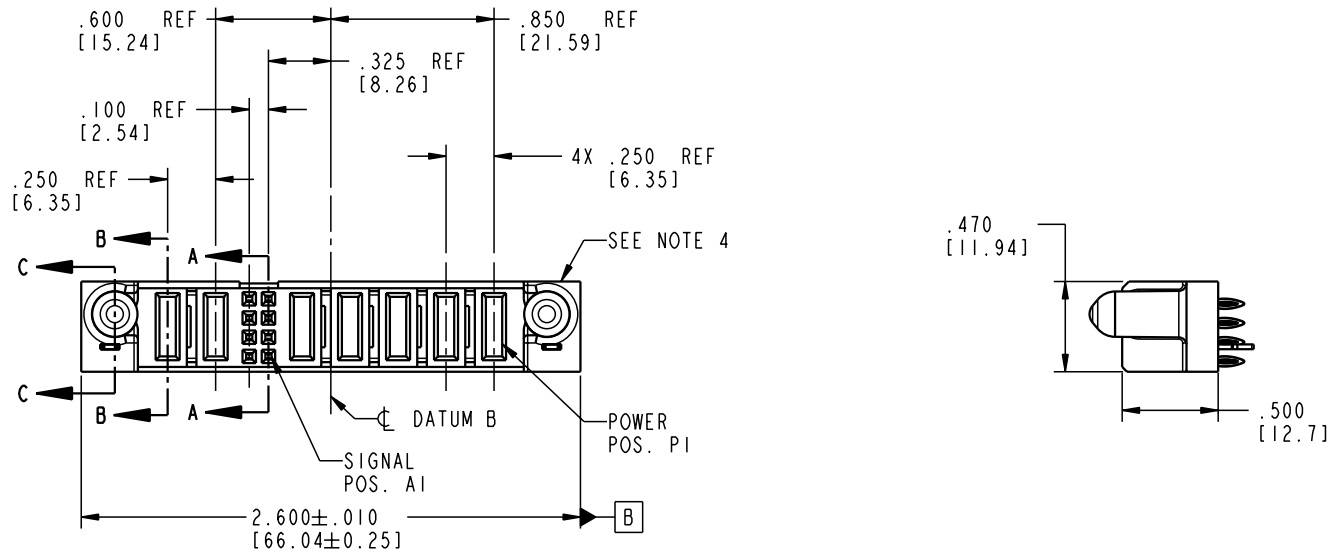


Tous droits strictement réservés. Reproduction ou communication o des liens interdite sous quelque forme que ce soit sans autorisation écrite du propriétaire. Propriété de c FCI. Droits de reproduction FCI.

All rights strictly reserved. Reproduction or issue to third parties in any form, whenever is not permitted without written authority from the proprietor. Property of FCI. Copyright FCI.

PRODUCT NO.	ROWS	POWER		SIG		POWER					E1	
		E2	P7	P6	2	1	P5	P4	P3	P2		P1
51750-054	D C B A		PF	PC			PC	PF	PC	PF	PC	



CODE	DIM "M" MATING LENGTH	CONTACT TYPE
F	N/A [N/A]	SIGNAL
PC	.042 [1.07]	POWER
PF	.092 [2.34]	POWER
HA	N/A [N/A]	HOLD-DOWN

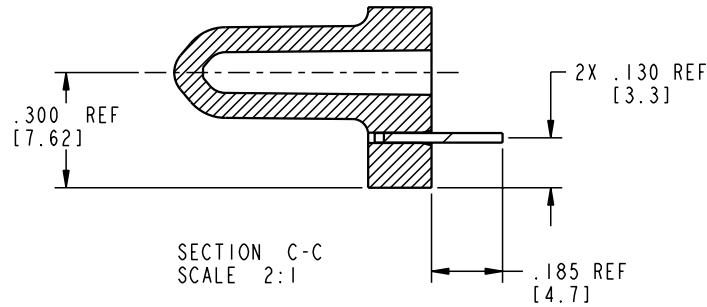
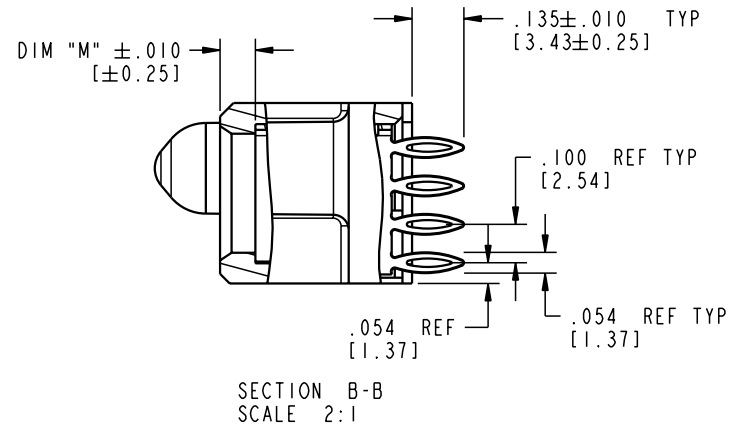
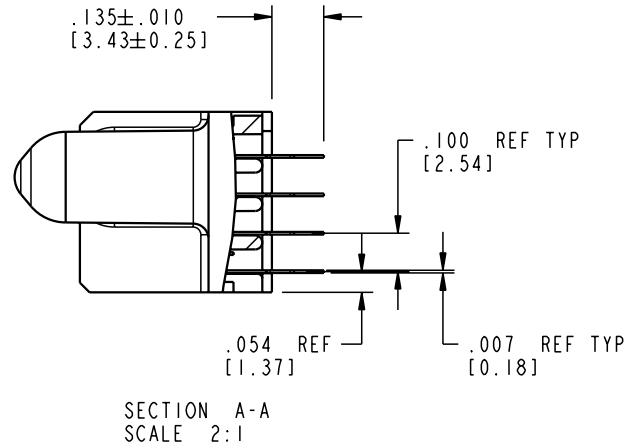
mat'l code				SEE NOTE 2		tolerances unless otherwise specified		CUSTOMER		 www.fciconnect.com	
ltr	ecn no.	dr	date	linear	.XX ± .01/0.X ± 0.3		COPY		title		
A	V04-0067	TAB	01/21/04		.XXX ± .005/0.XX ± 0.13		projection		5P + 8S + 2P		
				angles	.XXX ± .0020/0.XX ± 0.051		 INCH/MM		VERTICAL PRESS-FIT RECEPT		
					dr	T. BRUNGARD	01/21/04	product family		PwrBlade	
				engr	M. GRAY	01/21/04	size		dwg no		213
				chr	M. GRAY	01/21/04	scale		A 51750-054		sheet
				appd	M. GRAY	01/21/04	1:1				1 of 4
sheet index		revision sheet		A	A	A	A				
1		2		3	4						

Pro/E 3 cage code 22526 4

Tous droits strictement réservés. Reproduction ou communication o des tiers interdite sous quelque forme que ce soit sans autorisation écrite du propriétaire. Propriete de c FCI. Droits de reproduction FCI.

All rights strictly reserved. Reproduction or issue to third parties in any form, whatever is not permitted without written authority from the proprietor. Property of FCI. Copyright FCI.

PRODUCT NUMBER
51750-054



mat'l code				SEE NOTE 2		tolerances unless otherwise specified		CUSTOMER		 www.fciconnect.com	
ltr	ecn no.	dr	date	linear	.XX±.01/0.X±0.3		COPY		 title 5P + 8S + 2P VERTICAL PRESS-FIT RECEIPT		
A					.XXX±.005/0.XX±0.13		projection		product family PwrBlade code 213		
					.XXXX±.0020/0.XXX±0.051		 INCH/MM		size dwg no A 51750-054 sheet 2 of 4		
					° ±°		scale 1:1				
					dr	T. BRUNGARD	01/21/04				
				enr	M. GRAY	01/21/04					
				chr	M. GRAY	01/21/04					
				appd	M. GRAY	01/21/04					
sheet index	revision sheet										

Pro/E

cage code 22526

PDM: Rev:A

STATUS: Released

Printed: Dec 20, 2010

Tous droits strictement réservés. Reproduction ou communication o des tiers interdite sous quelque forme que ce soit sans autorisation écrite du propriétaire. Propriété de c FCI. Droits de reproduction FCI.

A
FCI

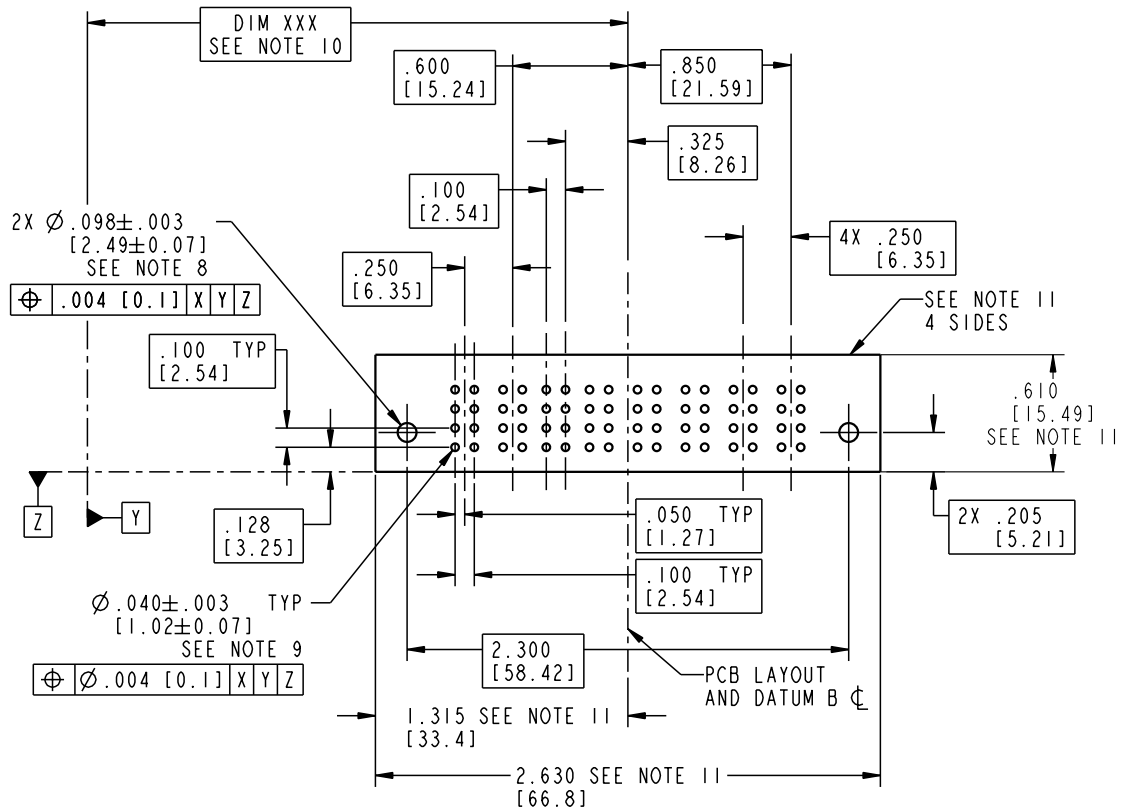
All rights strictly reserved. Reproduction or issue to third parties in any form, whenever is not permitted without written authority from the proprietor. Property of FCI. Copyright FCI.

A

A
FCI

B

PRODUCT NUMBER
51750-054



A

A
FCI

B

mat'l code				SEE NOTE 2		tolerances unless otherwise specified		CUSTOMER		 www.fciconnect.com	
ltr	ecn no.	dr	date	linear	.XX±.01/0.X±0.3	projection		COPY		title	
A				angles	.XXX±.005/0.XX±0.13					5P + 8S + 2P	
				dr	.XXX±.0020/0.XXX±0.051					VERTICAL PRESS-FIT RECEPT	
				enr	0° ± 2°	INCH/MM		product family		code	
				chr	T. BRUNGARD 01/21/04	scale		PwrBlade		213	
				appd	M. GRAY 01/21/04	1:1		size		sheet	
					M. GRAY 01/21/04			A		3 of 4	
sheet index		revision sheet									

cage code 22526

Pro/E

PDM: Rev:A

STATUS: Released

Printed: Dec 20, 2010

Tous droits strictement réservés. Reproduction ou communication o des tiers interdite sous quelque forme que ce soit sans autorisation écrite du propriétaire. Propriete de c FCI. Droits de reproduction FCI.

A
FCI

All rights strictly reserved. Reproduction or issue to third parties in any form, whatever is not permitted without written authority from the proprietor. Property of FCI. Copyright FCI.

A

B

PRODUCT NUMBER
51750-054

NOTES:

1. DIMENSIONS AND TOLERANCES ARE IN ACCORDANCE WITH ASME Y14.5M, 1994 UNLESS OTHERWISE SPECIFIED.

CONNECTOR NOTES:

- 2 HOUSING MATERIAL: UL 94 V-0 GLASS FILLED
HIGH-TEMP THERMOPLASTIC
POWER CONTACT MATERIAL: COPPER ALLOY
SIGNAL PIN MATERIAL: COPPER ALLOY
- 3. PLATING:
SIGNAL PINS: 30u"/0.76um Au OVER 50u"/1.27um Ni
POWER CONTACTS: 50u"/1.27um Ni UNDER ALL
WITH 30u"/0.76um Au ON CONTACT AREA
AND SnPb ON PCB INTERFACE

4 MANUFACTURER'S NAME, P/N, AND DATE CODE TO APPEAR ON THIS SURFACE.

5. PRODUCT SPECIFICATION GS-12-149.
APPLICATION SPECIFICATION BUS-20-067.

6. PACKAGED IN TRAYS.

PCB NOTES:


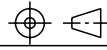
7. ALL HOLE DIAMETERS ARE FINISHED HOLE SIZE.

8 MOUNTING HOLES, WHERE APPLICABLE, ARE UNPLATED.

9 $\varnothing .0453 \pm .0010$ [1.151 \pm 0.025] DRILLED HOLES PLATED WITH .0003 [0.008] MIN SnPb OVER .001 [0.03] TO .003 [0.08] Cu PLATING TO ACHIEVE $\varnothing .040 \pm .003$ [1.02 \pm .07] HOLE.

10 "DIM XXX" TO BE DETERMINED BY THE CUSTOMER.

11 CONNECTOR KEEP-OUT ZONE.

mat'l code				SEE NOTE 2		tolerances unless otherwise specified		CUSTOMER		 FCI www.fciconnect.com	
ltr	ecn no.	dr	date	linear	.XX±.01/0.X±0.3		COPY		title		
A					.XXX±.005/0.XX±0.13		projection		5P + 8S + 2P		
					.XXX±.0020/0.XXX±0.051				VERTICAL PRESS-FIT RECEPT		
				angles	0° ± 2°		INCH/MM		product family		code
				dr	T. BRUNGARD	01/21/04	scale		PwrBlade		213
				enr	M. GRAY	01/21/04	1:1		size		sheet
				chr	M. GRAY	01/21/04			A		4 of 4
				appd	M. GRAY	01/21/04			51750-054		
sheet index		revision sheet							cage code		
									22526		

A

B

1 | 2

3 |

4

1 | 2

Pro/E

3 |

cage code 22526

4