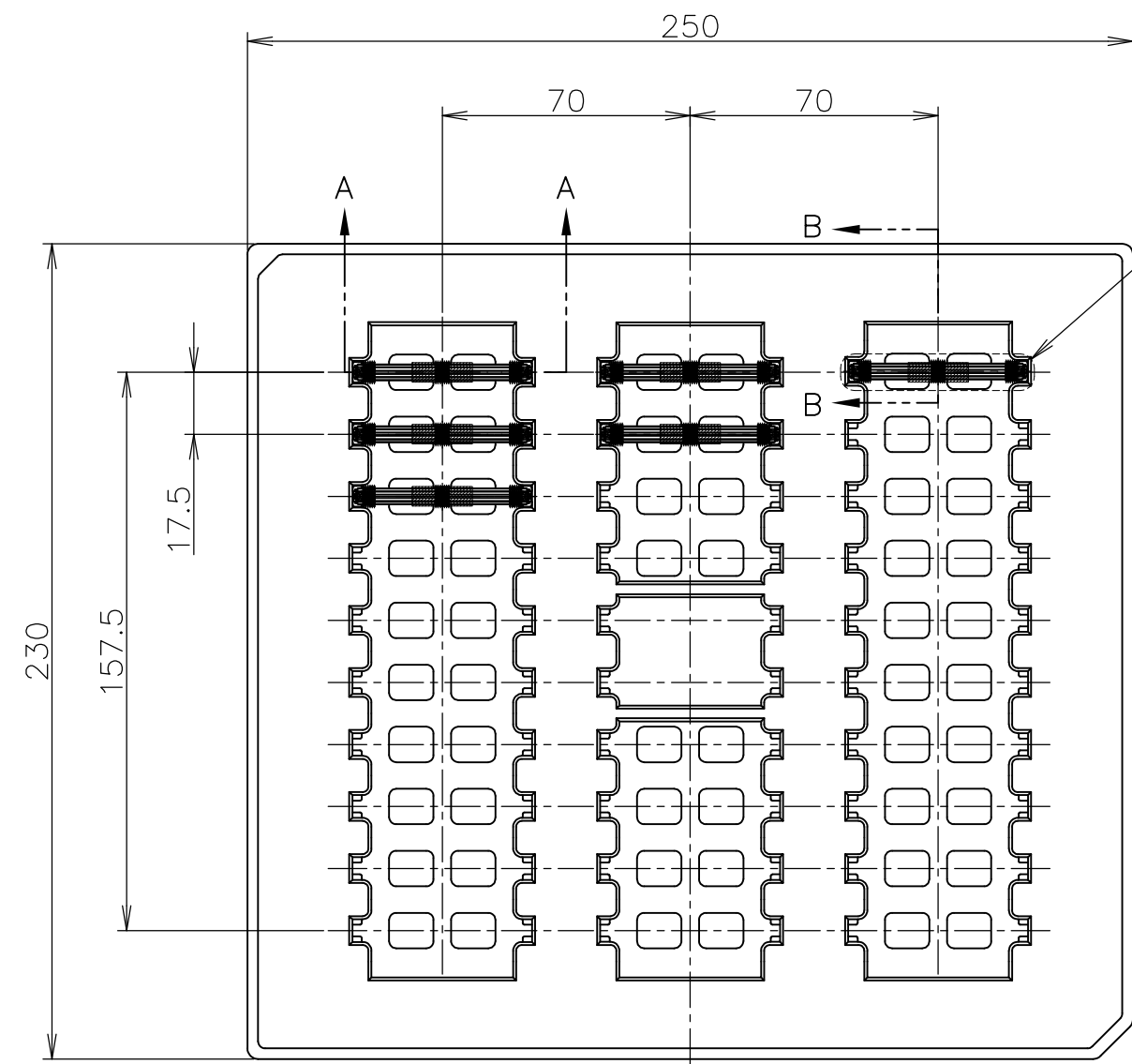
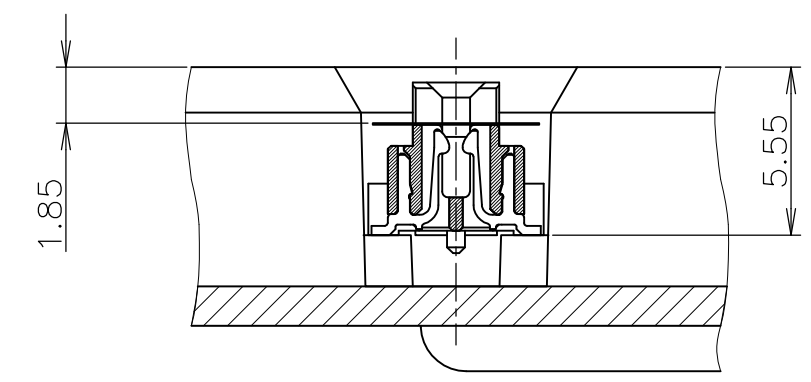


THIS DRAWING IS UNPUBLISHED. RELEASED FOR PUBLICATION JUL ,2004.  
 © COPYRIGHT 2004 By - ALL RIGHTS RESERVED.

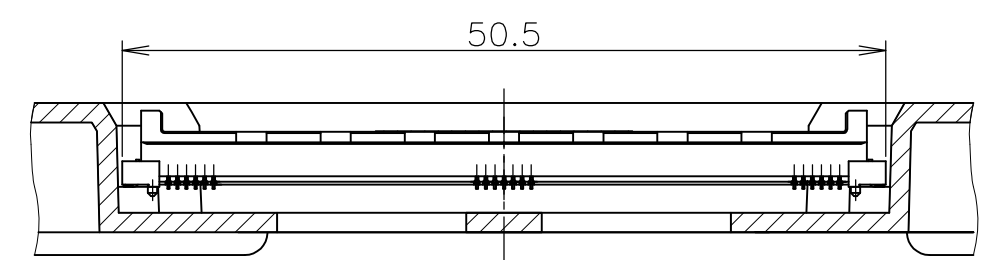
LOC	DIST	REVISIONS 変更			
P	LTR	DESCRIPTION	DATE	DWN	APVD
J		A1	REVISED PER ECO-11-005030	11MAR11	RK HMR



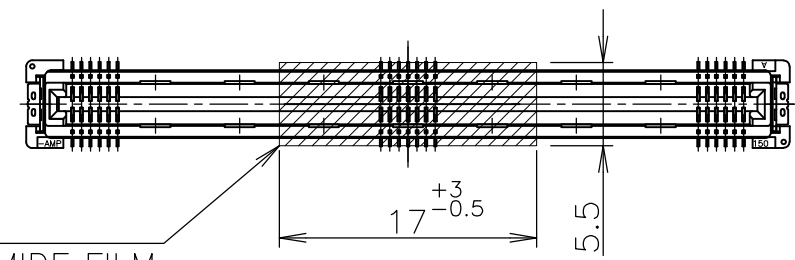
SEE DETAIL C



B-B  
(SCALE 4:1)

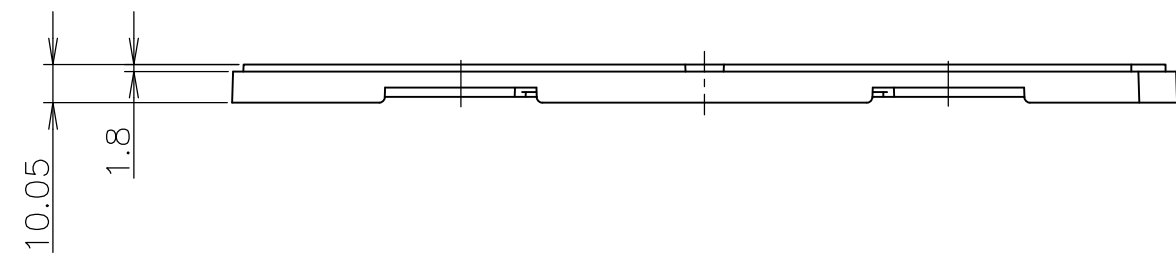


A-A  
(SCALE 2:1)



DETAIL C  
(SCALE 2:1)

接着剤付ポリイミドフィルム  
1枚 (厚さ=0.05)  
ONE SHEET OF POLYIMIDE FILM  
WITH ADHESIVE (t = 0.05)



30	150	3-912071-1	6123088-1	6123215-1
QTY	POS.	TRAY P/N	CONN P/N	PART No.

THIS DRAWING IS A CONTROLLED DOCUMENT.

DIMENSIONS: 単位: 耗 MM	TOLERANCES UNLESS OTHERWISE SPECIFIED: 一般公差
0 PLC ±	1 PLC ±
2 PLC ±	3 PLC ±
4 PLC ±	ANGLES ±
MATERIAL 材料	FINISH 仕上

GENERAL TOLERANCE  
一般公差

10 ≥ : ±0.2  
30 ≥ > 10: ±0.25  
100 ≥ > 30: ±0.3  
ANGLES: ±3°

DWN T.TSUZAKI	7JUL04
CHK K.YAMAGUCHI	7JUL04
APVD H.MURAMATSU	7JUL04
PRODUCT SPEC 製品規格	108-78191
APPLICATION SPEC 取付適用規格	
WEIGHT	

TE Connectivity		NAME 名称		
		HARD TRAY ASSY 0.6mm PITCH CARD EDGE CONNECTOR		
SIZE	CAGE CODE	DRAWING NO 番号	RESTRICTED TO	
A3	00779	C-6123215		
CUSTOMER DRAWING		SCALE 尺度 1:2	SHEET 1 OF 2	REV A1

4

3

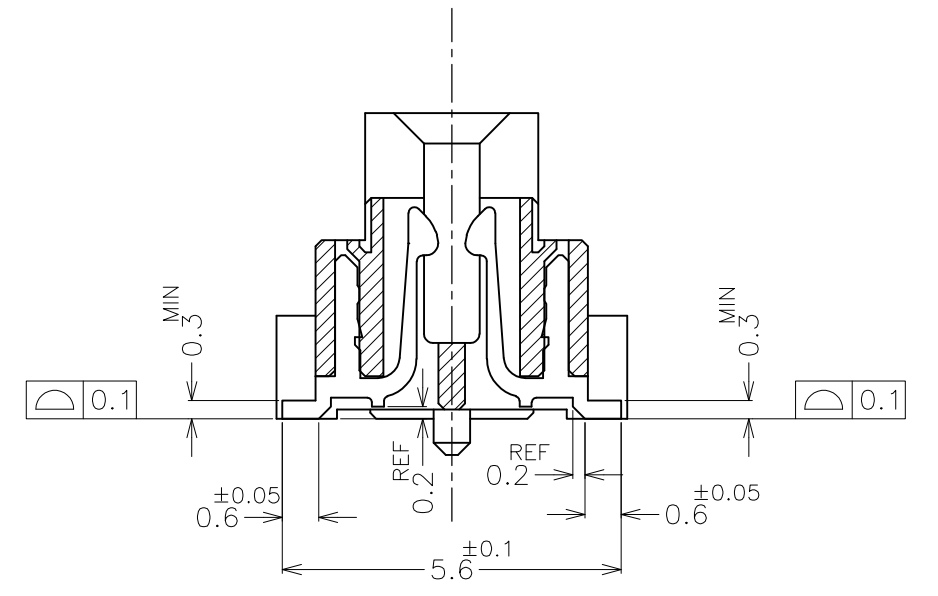
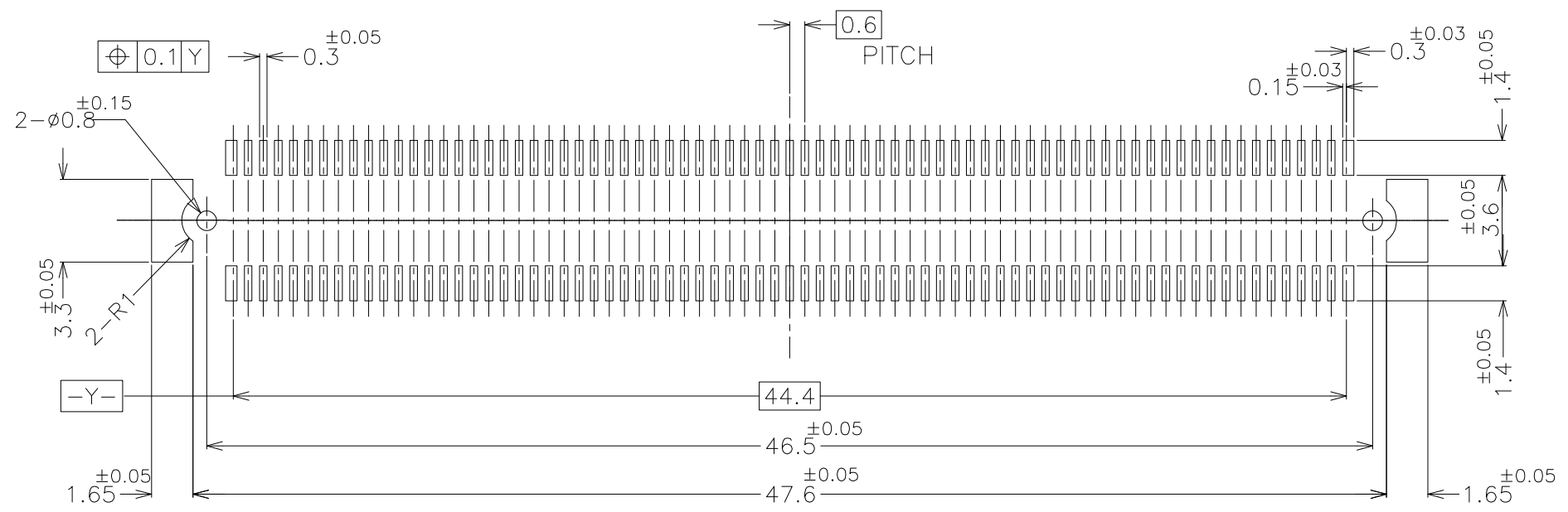
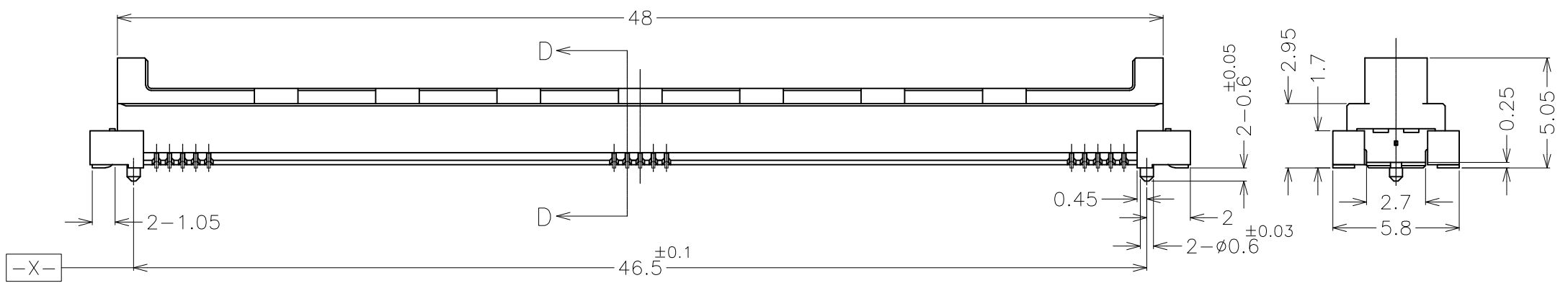
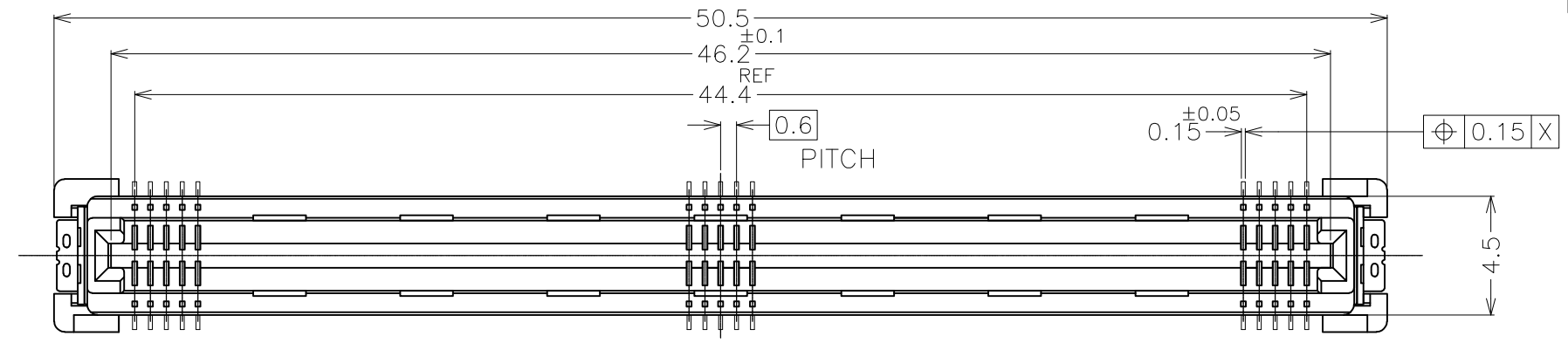
2

1

THIS DRAWING IS UNPUBLISHED. RELEASED FOR PUBLICATION JUL ,2005.  
 © COPYRIGHT 2005 By - ALL RIGHTS RESERVED.

LOC	DIST	REVISIONS					
J		P	LTR	DESCRIPTION	DATE	DWN	APVD

6123088-1(150P):AS SHOWN(REFERENCE)



D-D (SCALE 8:1)

参考基板取り付け寸法  
REFERENCE P.C.BOARD LAYOUT

GENERAL TOLERANCE  
一般公差

10 ≥	±0.2
30 ≥ > 10	±0.25
100 ≥ > 30	±0.3
ANGLES: ±3°	

THIS DRAWING IS A CONTROLLED DOCUMENT.		DWN	<b>STE</b> TE Connectivity		
DIMENSIONS: 単位: 耗 MM		CHK			
TOLERANCES UNLESS OTHERWISE SPECIFIED: 一般公差		APVD	NAME 名称		
0 PLC ±		PRODUCT SPEC 製品規格	HARD TRAY ASSY		
1 PLC ±		108-78191	0.6mm PITCH		
2 PLC ±		APPLICATION SPEC 取付適用規格	SIZE	CAGE CODE	DRAWING NO 番号
3 PLC ±		WEIGHT	A3	00779	G-6123215
4 PLC ±		CUSTOMER DRAWING	RESTRICTED TO		
ANGLES ±		SCALE 尺度	4:1	SHEET 2 OF 2	REV A1
FINISH 仕上					