

**Technical specification:**

|                                     |                           |
|-------------------------------------|---------------------------|
| Rated voltage:<br>IEC 61076-2-104   | 3pos<br>60 V              |
| Current rating:<br>IEC 61076-2-104  | 3 A at 40°C               |
| Insulation resistance:<br>IEC 60512 | >=100 MΩ                  |
| Pollution degree:<br>IEC 60664-1    | 3/2                       |
| Degree of protection:<br>IEC 60529  | IP 67, in mated condition |
| Temperature range:<br>IEC 60664-1   | -30°C ... +80°C           |
| Mating cycles:<br>IEC 60512-9a      | >=100                     |

**Materials:**

|                         |                      |
|-------------------------|----------------------|
| Contact:                | CuZn                 |
| Contact plating:        | Nickel, gold plated  |
| Contact carrier:        | TPU GF, UL 94        |
| Sealing:                | FPM                  |
| Coupling nut/<br>screw: | GD-Zn, nickel plated |
| Moulding body:          | TPU, UL 94, grey     |

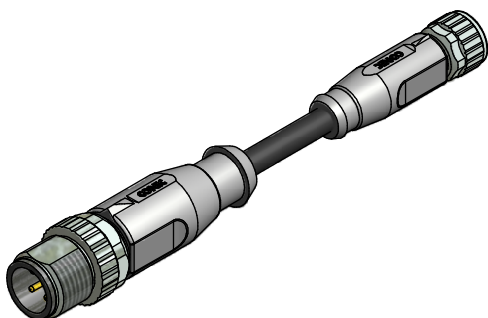
**Installation specification:**

|                           |        |
|---------------------------|--------|
| Recommended torque M12x1: | 0,6 Nm |
| Recommended torque M8x1:  | 0,4 Nm |

Conec installation tool: Torque wrench: 36-000200  
 Insert across flats 13: 36-000220  
 Insert across flats 9: 36-000210

**Conact assignent:**

- 1 ■ brown — (
- 3 ■ blue — (
- 4 ■ black — (



| Part no: | Description:                        | Length L: | Cable:                                                           |
|----------|-------------------------------------|-----------|------------------------------------------------------------------|
| 43-11450 | SAL - 12 - RS3 - 8 - RK3 - 0,3 / K1 | 0,3m      | TPU, UL 20549, black, 3x0,25mm <sup>2</sup><br>Cable: 781-K12300 |
| 43-11451 | SAL - 12 - RS3 - 8 - RK3 - 0,6 / K1 | 0,6m      |                                                                  |
| 43-11452 | SAL - 12 - RS3 - 8 - RK3 - 1,5 / K1 | 1,5m      |                                                                  |
| 43-11453 | SAL - 12 - RS3 - 8 - RK3 - 3 / K1   | 3m        |                                                                  |
| 43-xxxxx | SAL - 12 - RS3 - 8 - RK3 - ... / K1 | x         |                                                                  |

D see data sheet cable

|                                                                                                                                                                         |                                     |                                                                                                      |            |                                                                                                                        |                                                                                                                                                                                                      |  |      |      |       |          |       |       |          |
|-------------------------------------------------------------------------------------------------------------------------------------------------------------------------|-------------------------------------|------------------------------------------------------------------------------------------------------|------------|------------------------------------------------------------------------------------------------------------------------|------------------------------------------------------------------------------------------------------------------------------------------------------------------------------------------------------|--|------|------|-------|----------|-------|-------|----------|
| DO NOT ALTER CAD DRAWING BY HAND                                                                                                                                        | Directive 2002/95/EC RoHS compliant | Index: b 09.02.11 VF Ä3767<br>Coupling nut/ screw modified, spanner flats added, data sheet modified | dim. in mm | title:<br><b>Connecting cable M12x1/ M8x1,<br/>         male connector axial -<br/>         female connector axial</b> |                                                                                                                                                                                                      |  |      |      |       |          |       |       |          |
|                                                                                                                                                                         |                                     | tolerance of cable: L ≤ 4m: L + 40mm<br>L > 4m: L + 1%                                               |            |                                                                                                                        | <table border="1"> <tr> <td></td> <td>date</td> <td>name</td> </tr> <tr> <td>drawn</td> <td>03.01.08</td> <td>Franz</td> </tr> <tr> <td>appd.</td> <td>03.01.08</td> <td>Mankopf</td> </tr> </table> |  | date | name | drawn | 03.01.08 | Franz | appd. | 03.01.08 |
|                                                                                                                                                                         |                                     |                                                                                                      | date       |                                                                                                                        | name                                                                                                                                                                                                 |  |      |      |       |          |       |       |          |
|                                                                                                                                                                         |                                     | drawn                                                                                                | 03.01.08   |                                                                                                                        | Franz                                                                                                                                                                                                |  |      |      |       |          |       |       |          |
| appd.                                                                                                                                                                   | 03.01.08                            | Mankopf                                                                                              |            |                                                                                                                        |                                                                                                                                                                                                      |  |      |      |       |          |       |       |          |
| THIS DRAWING MAY NOT BE COPIED OR REPRODUCED IN ANY WAY, AND MAY NOT BE PASSED ON TO A THIRD PARTY WITHOUT WRITTEN PERMISSION.<br>OWNERSHIP AND COPYRIGHT OF CONEC GmbH |                                     | dwg no:                                                                                              | 43K1A587   |                                                                                                                        |                                                                                                                                                                                                      |  |      |      |       |          |       |       |          |
|                                                                                                                                                                         |                                     | part no:                                                                                             | see table  |                                                                                                                        |                                                                                                                                                                                                      |  |      |      |       |          |       |       |          |