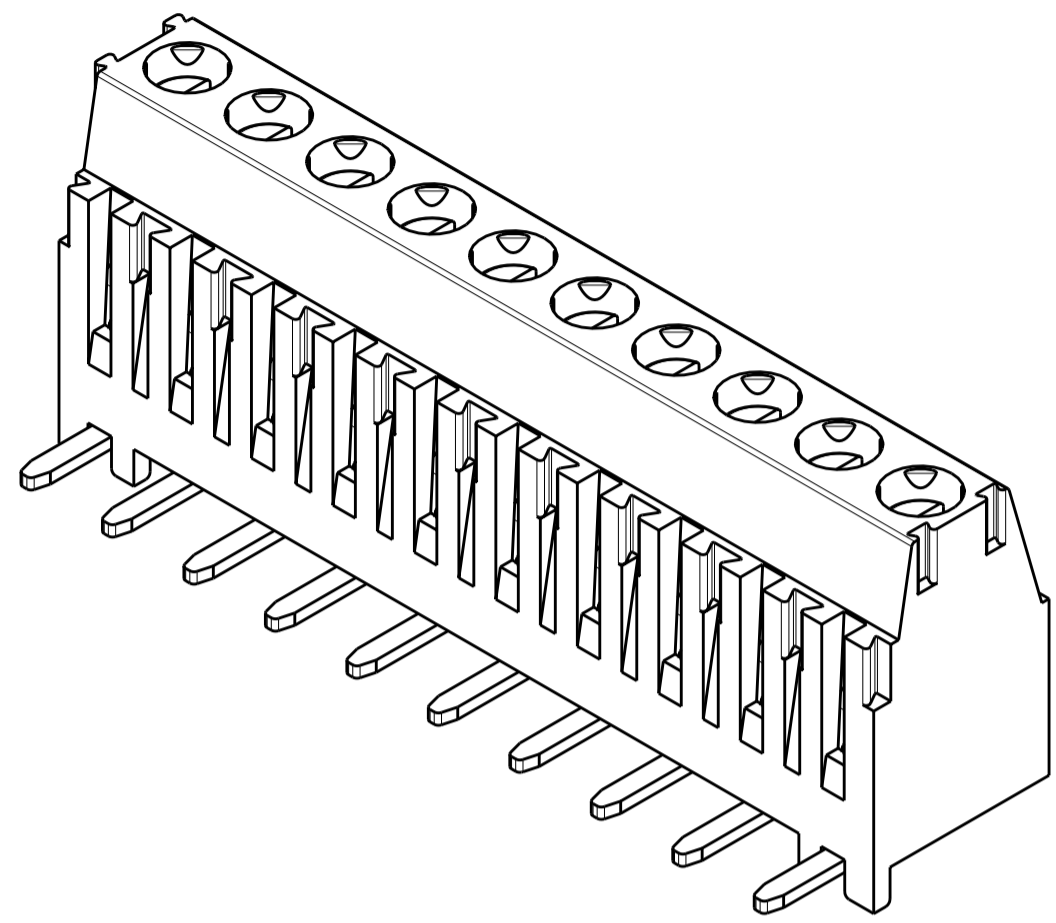
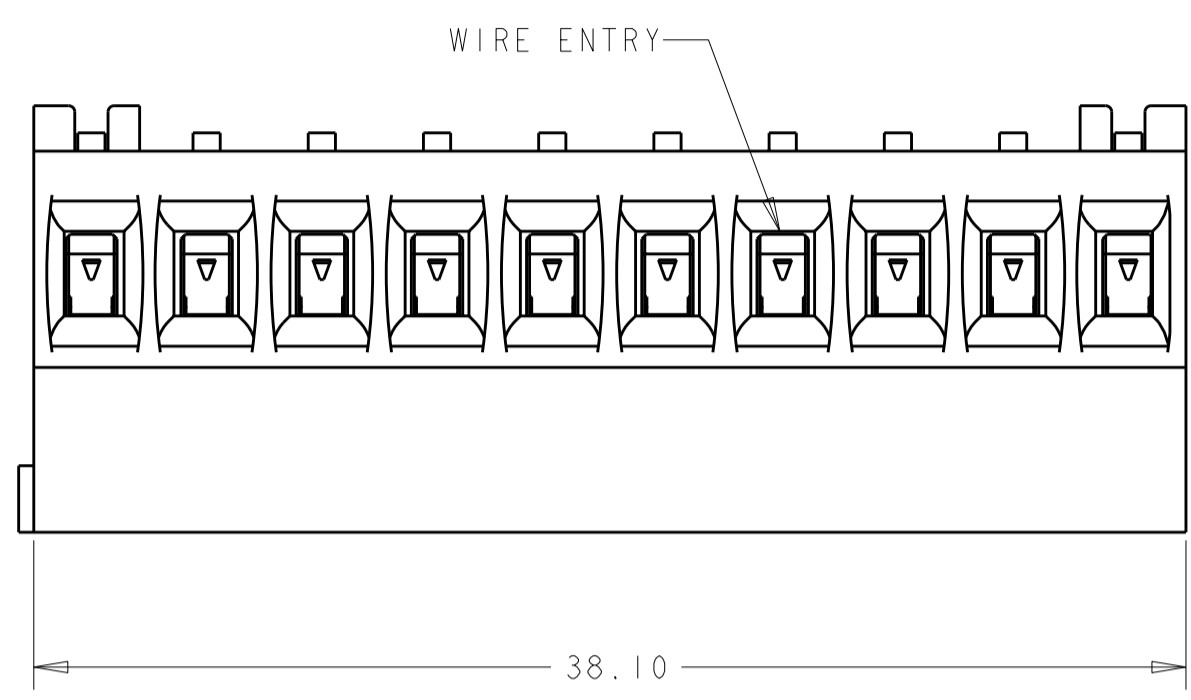
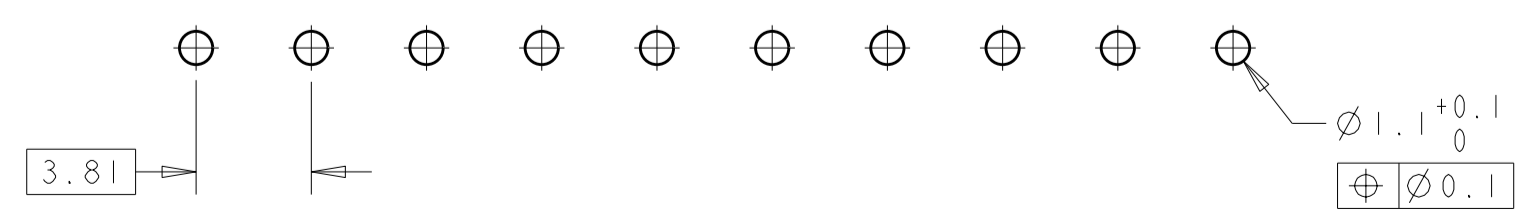
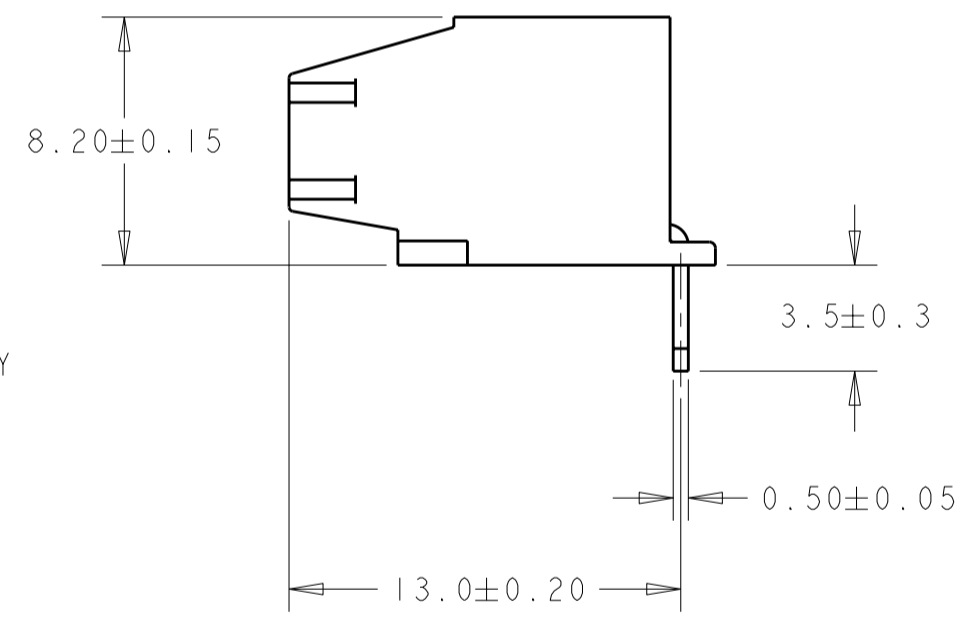
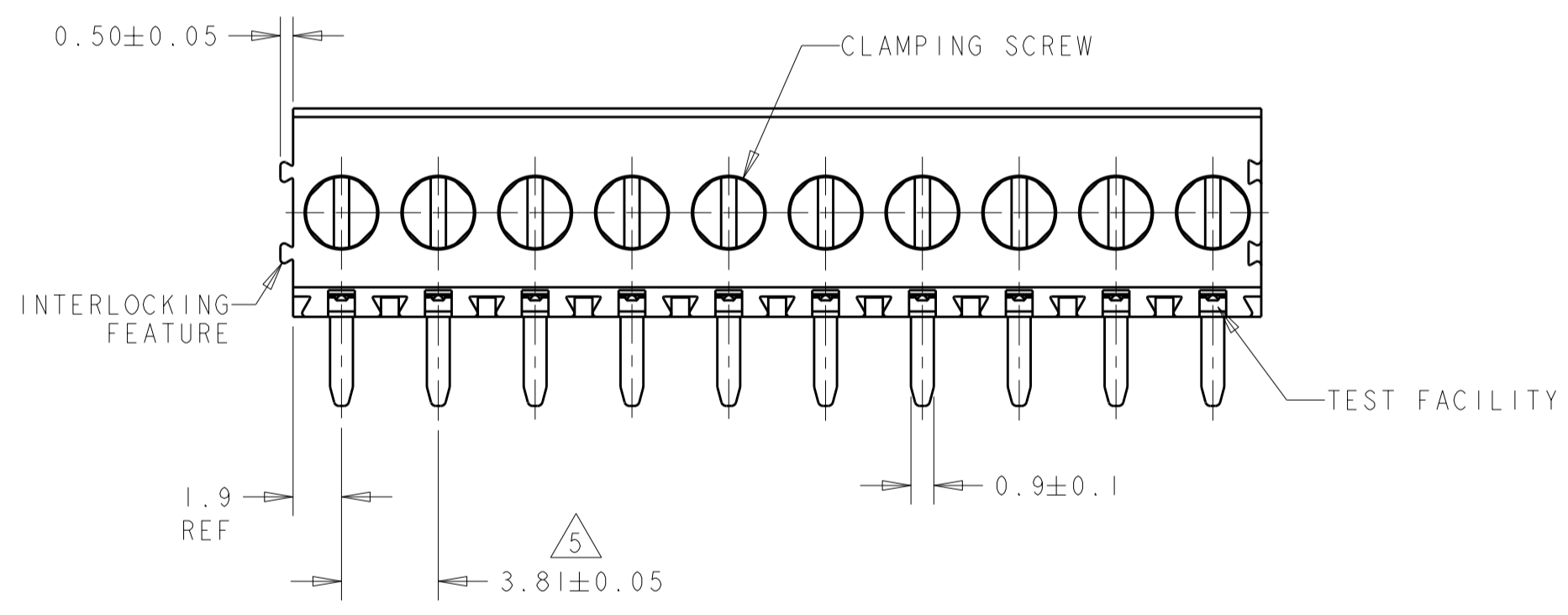


THIS DRAWING IS UNPUBLISHED. RELEASED FOR PUBLICATION 20  
 © COPYRIGHT 20 BY TYCO ELECTRONICS CORPORATION. ALL RIGHTS RESERVED.

LOC	DIST	REVISIONS			
P	LTR	DESCRIPTION	DATE	DWN	APVD
		I PRELIMINARY	12SEP2006	SW	CR
		A RELEASED ECO-06-025847	06NOV2006	SW	CR



- 1 MATERIALS AND FINISH  
 HOUSING : PA 6/6, UL 94-V0, COLOR: BLACK.  
 CLAMP : BRASS, NICKEL PLATED  
 TERMINAL : BRASS, TIN PLATED  
 CLAMPING SCREW : M3, BRASS, NICKEL PLATED
- 2. SUITABLE FOR 1.6-2.4 mm. PCB BOARD THICKNESS.
- 3. END-TO-END STACKABLE W/INTERLOCK WITHOUT LOSS OF CENTERLINE SPACING
- 4. WIRE SIZE RANGE: 12 - 30 AWG
- 5 NOT CUMULATIVE TOLERANCE



RECOMMENDED PC BOARD LAYOUT

10	1-1776857-0
NO OF POSN	PART NUMBER

THIS DRAWING IS A CONTROLLED DOCUMENT FOR TYCO ELECTRONICS CORPORATION. IT IS SUBJECT TO CHANGE AND THE CONTROLLING ENGINEERING ORGANIZATION SHOULD BE CONTACTED FOR THE LATEST REVISION.		DWN S. WELDON 12SEP2006	Tyco Electronics	
DIMENSIONS: mm		CHK C. RICHARD 12SEP2006	Harrisburg, PA 17105-3608	
TOLERANCES UNLESS OTHERWISE SPECIFIED:		APVD C. RICHARD 12SEP2006	NAME	
0 PLC ±-	1 PLC ±.3	PRODUCT SPEC	TERMINAL BLOCK ASSEMBLY,	
2 PLC ±.25	3 PLC ±-	APPLICATION SPEC	TOP ENTRY WIRE, STACKING, 90 DEGREE,	
4 PLC ±-	ANGLES ±2	114-20079	PCB MOUNT, W/INTERLOCK, 3.81mm PITCH	
MATERIAL	FINISH	WEIGHT	SIZE	RESTRICTED TO
			A200779	
CUSTOMER DRAWING		SCALE 4:1	SHEET	REV A