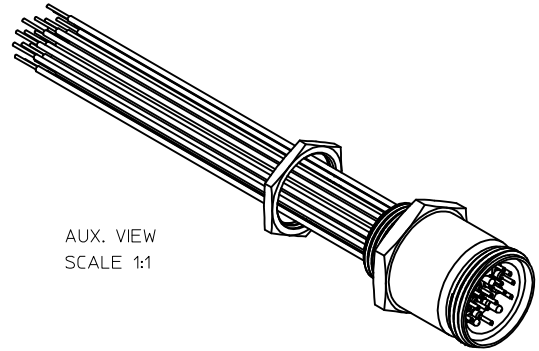
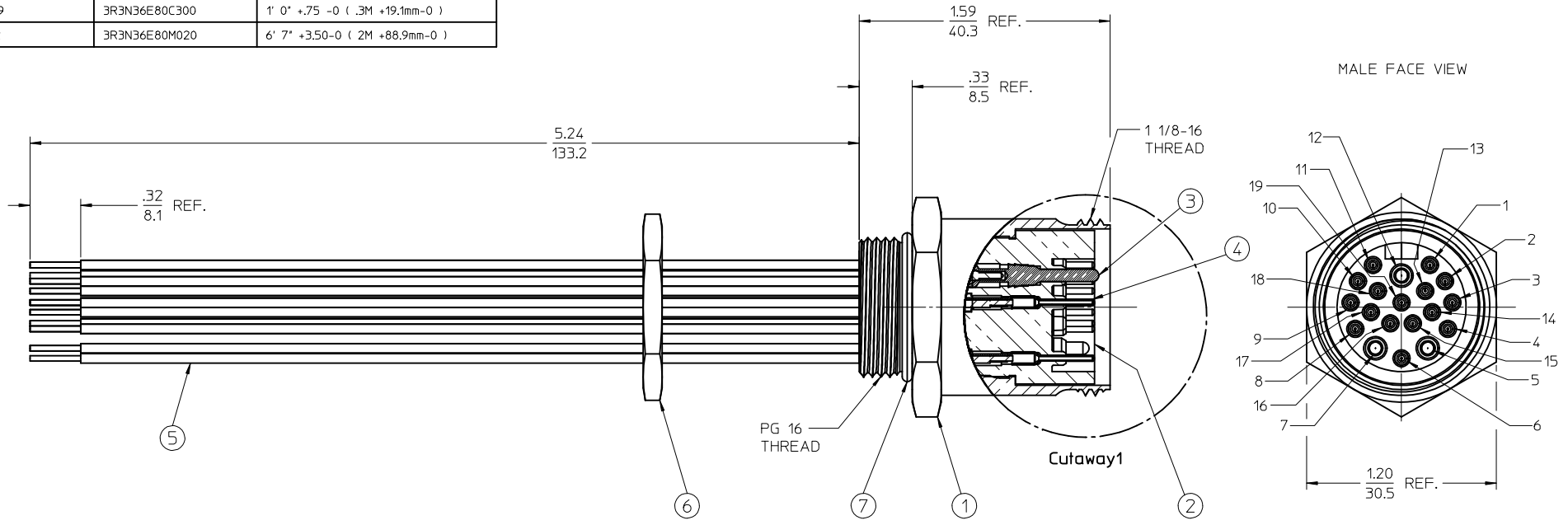
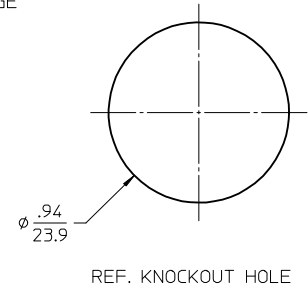


MATERIAL NO.	ENGINEERING NO.	LENGTH
1300150109	3R3N36E80C300	1' 0" +.75 -0 (.3M +19.1mm-0)
1300150112	3R3N36E80M020	6' 7" +3.50-0 (2M +88.9mm-0)



- NOTES:
1. MATERIAL: SEE TABLE
 2. FINISHES: SEE TABLE
 3. MATES WITH 19 POLE FEMALE MINI-CHANGE
 4. ELECTRICAL SPECIFICATIONS:
VOLTAGE RATING: 300V AC/DC
CURRENT RATING: 2 AMPS
 5. ASSEMBLY IS ROHS COMPLIANT



VIOLET	1
RED	2
GRAY	3
RED/BLUE	4
BLUE (-VE)	5
GREEN	6
BROWN (+VE)	7
WHITE/GREEN	8
WHITE/YELLOW	9
WHITE/GRAY	10
BLACK	11
YELLOW/GREEN (GRD)	12
YELLOW/BROWN	13
BROWN/GREEN	14
WHITE	15
YELLOW	16
PINK	17
GRAY/BROWN	18
GRAY/PINK	19

WIRING DIAGRAM

ITEM	QTY.	DESCRIPTION	MATERIAL	FINISH
7	1	O-RING	NITRILE	BLACK
6	1	LOCKNUT, PG16	BRASS	NICKEL PLATED
5	19	WIRE, 22 AWG	PVC INSULATION	SEE WIRE DIAGRAM
4	16	CONTACT PIN, 20 AWG	Cu ALLOY	GOLD PLATED
3	3	CONTACT PIN, 18 AWG	BRASS/SS	GOLD PLATED
2	1	INSERT, MALE, 19 POLE	PVC	YELLOW
1	1	RECEPTACLE SHELL	ALUMINUM	GRAY ANODIZE

RELEASED	EC NO: MNA2010-0113	2009/08/21
DRWNR:STONE	CHKD:R.WOODMAN	APPR:J.MURPHY
DESCRIPTION	2009/08/21	

QUALITY SYMBOLS	GENERAL TOLERANCES (UNLESS SPECIFIED)
▽=0	4 PLACES ± --- ± ---
▽=0	3 PLACES ± --- ± ---
	2 PLACES ± --- ± .01
	1 PLACE ± 0.3 ± ---
	ANGULAR ± 1/2°

DIMENSION STYLE		SCALE	DESIGN UNITS	THIRD ANGLE PROJECTION
IN/MM		2:1	INCH	
DRAWN BY	DATE	TITLE		
R.STONE	2009/08/20	MINI-CHANGE 19 POLE RECEPTACLE ASSEMBLY MALE		
CHECKED BY	DATE	MATERIAL NO.		
B.WOODMAN	2009/08/21	SEE CHART		
APPROVED BY	DATE	DOCUMENT NO.		
J.MURPHY	2009/08/25	SD-130015-009		

DRAFT WHERE APPLICABLE MUST REMAIN WITHIN DIMENSIONS		SIZE	SHEET NO.	
		C	1 OF 1	
THIS DRAWING CONTAINS INFORMATION THAT IS PROPRIETARY TO MOLEX INCORPORATED AND SHOULD NOT BE USED WITHOUT WRITTEN PERMISSION				