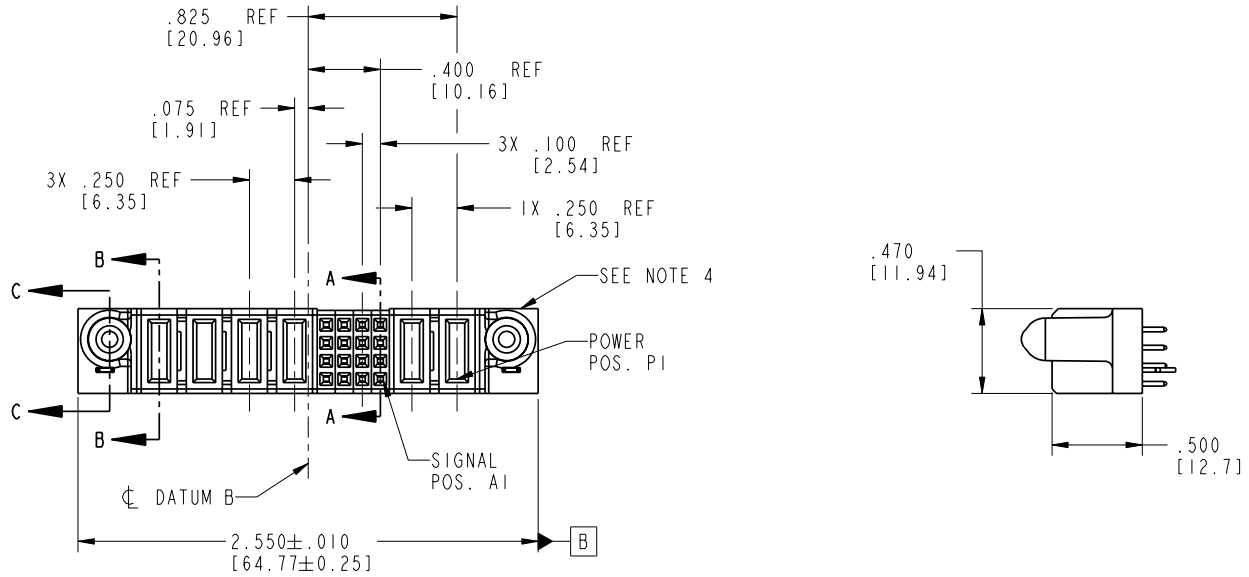


Tous droits strictement réservés. Reproduction ou communication à des tiers interdite sans quelque forme que ce soit sans autorisation écrite du propriétaire. Propriété de c FCI. Droits de reproduction FCI.

All rights strictly reserved. Reproduction or issue to third parties in any form whatsoever is not permitted without written authority from the proprietor. Property of FCI. Copyright FCI.



PRODUCT NO.	ROW S	POWER				SIG				POWER		E1	
		E2	P6	P5	P4	P3	4	3	2	1	P2		P1
51750-073-- NOTE ③	D C A		PA	PA	PD	PD	EEEE	EEEE	EEEE	EEEE	PD	PA	



CODE	DIM "M" MATING LENGTH	CONTACT TYPE
E	N/A [N/A]	SIGNAL
PA	.042 [1.07]	POWER
PD	.092 [2.34]	POWER
HA	N/A [N/A]	HOLD-DOWN

mat'l code				SEE NOTE 2		tolerances unless otherwise specified		CUSTOMER		 www.fciconnect.com	
lfr	ecn no.	dr	date	linear	.XX±.01/0.X±0.3	COPY		projection		title	
A	DG06-0033	RYAN	03/01/06		.XXX±.005/0.XX±0.13	INCH/MM				2P + 16S + 4P	
				angles	.XXX±.002/0.XXX±0.051	scale		1:1		VERTICAL STB RECEPT	
				dr	0° ± 2°	product family		PwrBlade		code	
				engr	RYAN YUAN 03/01/06	size		A		213	
				chr	SALLY LUO 03/01/06	dwg no		51750-073		sheet	
				appd	BEER FU 03/01/06	sheet		1 of 4			
					JOSEPH HSIA 03/01/06	cage code		22526			
sheet index	revision	A	A	A	A						
	sheet	1	2	3	4						

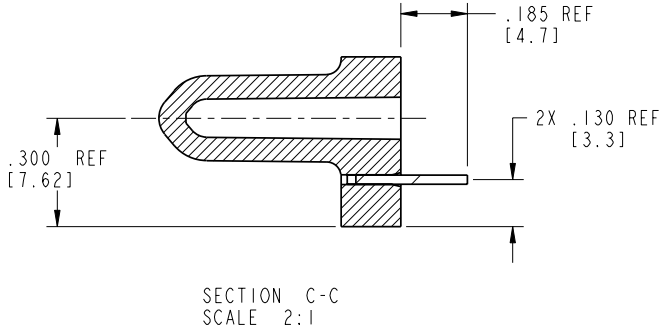
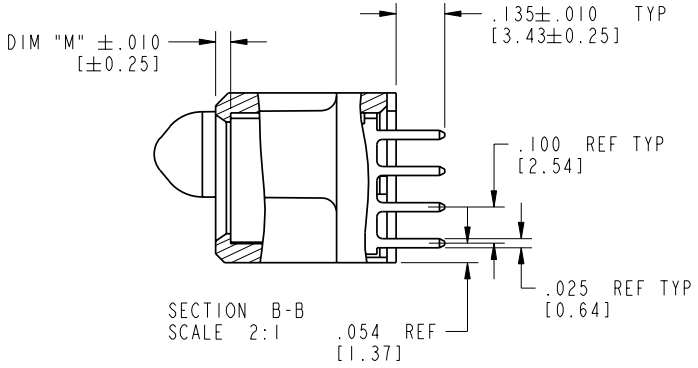
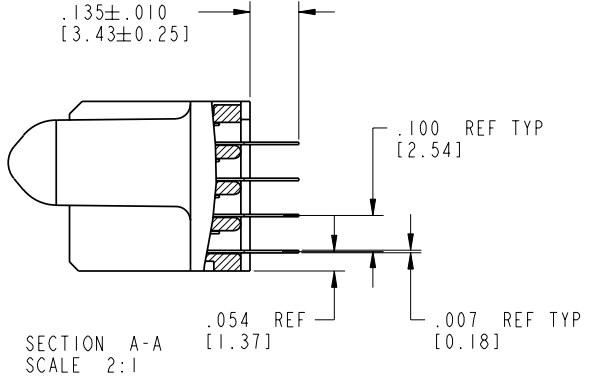
Pro/E

cage code 22526

Tous droits strictement reserves. Reproduction ou communication a des tiers interdite sous quelque forme que ce soit sans autorisation écrite du propriétaire. Propriete de c FCI. Droits de reproduction FCI.

All rights strictly reserved. Reproduction or issue to third parties in any form whatever is not permitted without written authority from the proprietor. Property of FCI. Copyright FCI.

PRODUCT NUMBER
51750-073--
NOTE ③



mat'l code		SEE NOTE 2		tolerances unless otherwise specified		CUSTOMER		 www.fciconnect.com	
lfr	ecn no.	dr	date	linear	.XX±.01/0.X±0.3	COPY		projection	title
A					.XXX±.005/0.XX±0.13	INCH/MM			2P + 16S + 4P VERTICAL STB RECEPT
				angles	.XXX±.002/0.XXX±0.051	scale		product family	code
				dr	0° ± 2°	1:1		PwrBlade	213
				enrg	RYAN YUAN 03/01/06			size	sheet
				chr	SALLY LUO 03/01/06			dwg no	2 of 4
				appd	BEER FU 03/01/06			51750-073	
					JOSEPH HSIA 03/01/06				
sheet index	revision sheet								

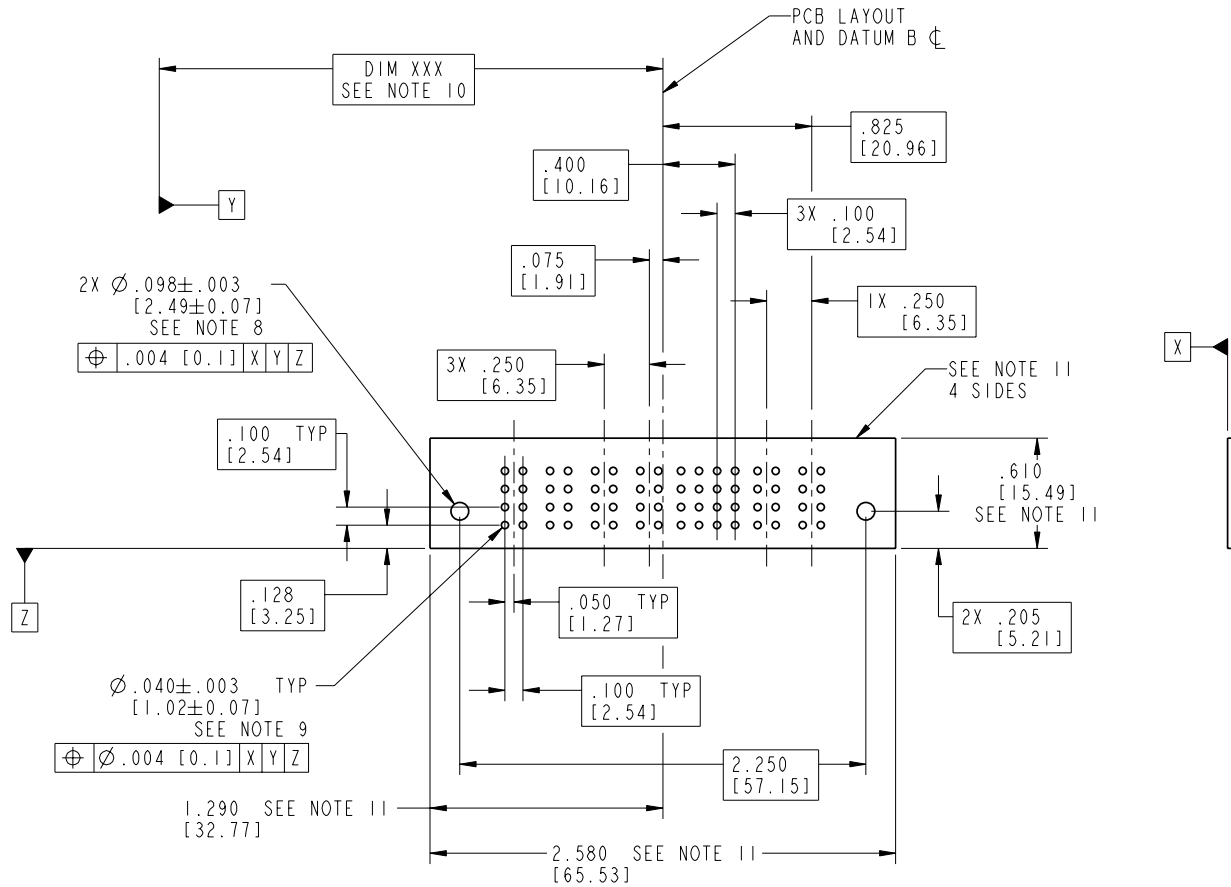
cage code 22526

Tous droits strictement réservés. Reproduction ou communication à des tiers interdite sans quelque forme que ce soit sans autorisation écrite du propriétaire. Propriété de c FCI. Droits de reproduction FCI.



All rights strictly reserved. Reproduction or issue to third parties in any form whatever is not permitted without written authority from the proprietor. Property of FCI. Copyright FCI.

PRODUCT NUMBER
51750-073--
NOTE ③



mat'l code		SEE NOTE 2		tolerances unless otherwise specified		CUSTOMER		 www.fciconnect.com	
lfr	ecn no.	dr	date	linear	.XX±.01/0.X±0.3	COPY		projection	title
A					.XXX±.005/0.XX±0.13				2P + 16S + 4P
				angles	.XXX±.002/0.XXX±0.051				VERTICAL STB RECEPT
				dr	0°±2°	RYAN YUAN 03/01/06		INCH/MM	product family
				enrg		SALLY LUO 03/01/06		scale	PwrBlade
				chr		BEER FU 03/01/06		1:1	code
				appd		JOSEPH HSIA 03/01/06			213
sheet index	revision	sheet							size
									dwg no
									51750-073
									3 of 4

cage code 22526

Pro/E

Tous droits strictement réservés. Reproduction ou communication à des tiers interdite sous quelque forme que ce soit sans autorisation écrite du propriétaire. Propriété de c FCI. Droits de reproduction FCI.



All rights strictly reserved. Reproduction or issue to third parties in any form whatever is not permitted without written authority from the proprietor. Property of FCI. Copyright FCI.

PRODUCT NUMBER
51750-073--
NOTE ③

NOTES:

1. DIMENSIONS AND TOLERANCES ARE IN ACCORDANCE WITH ASME Y14.5M, 1994 UNLESS OTHERWISE SPECIFIED.

CONNECTOR NOTES:

② HOUSING MATERIAL: UL 94 V-0 GLASS FILLED HIGH-TEMP THERMOPLASTIC
POWER CONTACT MATERIAL: COPPER ALLOY
SIGNAL PIN MATERIAL: COPPER ALLOY

③ PLATING:
SEE PRINT 10064183 FOR PLATING SPEC OF 51750-073; 51750-073LF

④ MANUFACTURER'S NAME, P/N, AND DATE CODE TO APPEAR ON THIS SURFACE.

5. PRODUCT SPECIFICATION GS-12-149.
APPLICATION SPECIFICATION BUS-20-067.

6. PACKAGED IN TRAYS.

PCB NOTES:

7. ALL HOLE DIAMETERS ARE FINISHED HOLE SIZE.

⑧ MOUNTING HOLES, WHERE APPLICABLE, ARE UNPLATED.

⑨ $\varnothing .0453 \pm .0010$ [1.151 \pm 0.025] DRILLED HOLES PLATED WITH
.0003 [0.008] MIN SnPb OVER .001 [0.03]
TO .003 [0.08] Cu PLATING TO ACHIEVE
 $\varnothing .040 \pm .003$ [1.02 \pm .07] HOLE.

⑩ "DIM XXX" TO BE DETERMINED BY THE CUSTOMER.

⑪ CONNECTOR KEEP-OUT ZONE.

mat'l code				SEE NOTE 2		tolerances unless otherwise specified		CUSTOMER		A FCI www.fciconnect.com	
lfr	ecr no.	dr	date	linear	.XX±.01/0.X±0.3	COPY		projection		title	
A					.XXX±.005/0.XX±0.13					2P + 16S + 4P	
				angles	.XXX±.002/0.XXX±0.051					VERTICAL STB RECEPT	
				dr	0° ± 2°	RYAN YUAN 03/01/06		INCH/MM		product family PwrBlade code	
				enrg		SALLY LUO 03/01/06		scale		size dwg no	
				chr		BEER FU 03/01/06		1:1		A 51750-073	
				appd		JOSEPH HSIA 03/01/06				sheet 213	
sheet index		revision sheet								4 of 4	

cage code 22526

Pro/E