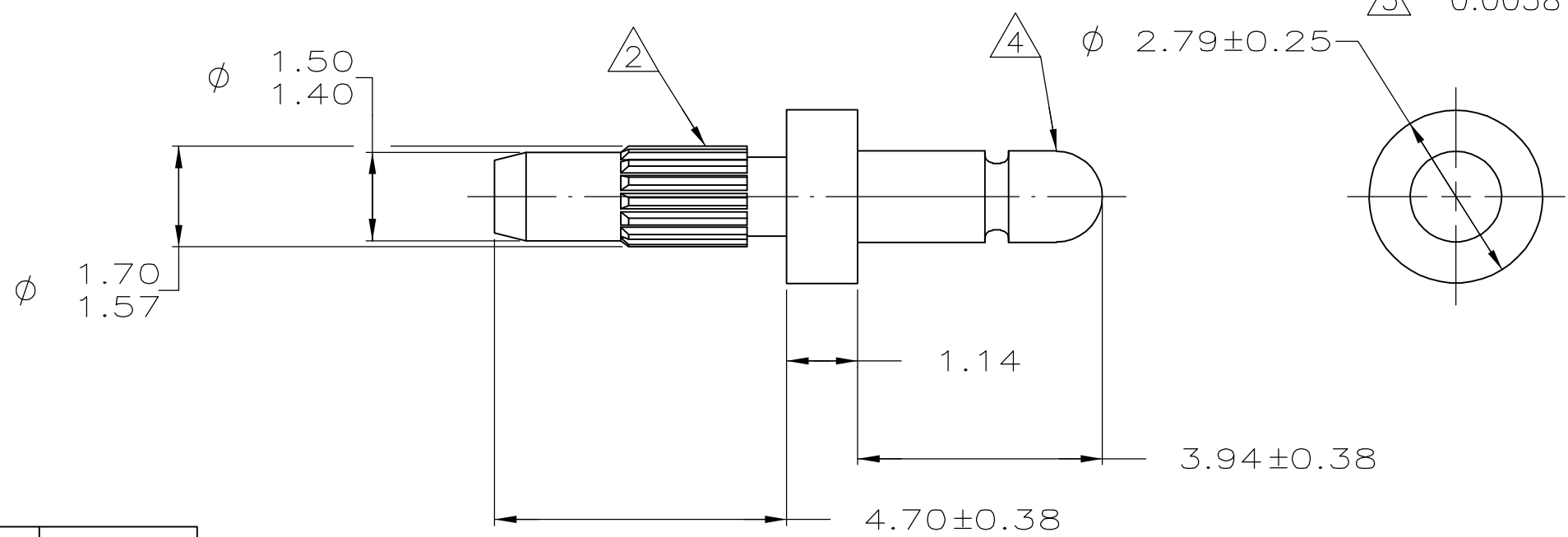


THIS DRAWING IS UNPUBLISHED. RELEASED FOR PUBLICATION
 © COPYRIGHT BY TYCO ELECTRONICS CORPORATION. ALL RIGHTS RESERVED.

LOC	DIST	REVISIONS			
P	LTR	DESCRIPTION	DATE	DWN	APVD
CM	0	H1	REVISED PER ECO-06-016694	12JUL06	KW DB

- ① 0.00381 MIN BRIGHT TIN LEAD PLATING ALL OVER.
- ② REED STRAIGHT TOOTH KNURL CS 80-80 T.P.I., 125 TEETH, 70° INCLUDED ANGLE. FITS 1.50 - 1.57 DIAMETER HOLE IN A 3.18 PRINTED CIRCUIT BOARD.
- 3. PARTS TO COMPLY WITH AMP SOLDERABILITY SPECIFICATION 109-11-3.
- ④ MATES WITH AMP PARTS 60354 AND 60598.
- ⑤ 0.00381 MIN BRIGHT TIN PLATING ALL OVER.



-	-
4.70	.185
3.94	.155
3.18	.125
2.79	.110
1.70	.067
1.57	.062
1.50	.059
1.47	.058
1.40	.055
1.14	.045
0.38	.015
0.25	.010
0.13	.005
0.00381	0.000150
MM	IN

CONVERSION TABLE

METRIC

⑤	3-60753-2
①	60753-2
FINISH	PART NUMBER

THIS DRAWING IS A CONTROLLED DOCUMENT.		DWN K. WHITAKER 12JUL2006	Tyco Electronics Corporation Harrisburg, PA 17105-3608	
DIMENSIONS: mm		CHK D. BOSSI 12JUL2006	NAME PIN, .058 DIAMETER, BRASS, KNURLED, P.C. CONTACT	
TOLERANCES UNLESS OTHERWISE SPECIFIED:		APVD D. BOSSI 12JUL2006	PRODUCT SPEC 108-1025	
0 PLC ± - 1 PLC ± - 2 PLC ± 0.13 3 PLC ± - 4 PLC ± - ANGLES ± -		APPLICATION SPEC 114-1008	SIZE A3	CAGE CODE 00779
MATERIAL BRASS	FINISH SEE TABLE	WEIGHT -	DRAWING NO C-60753	RESTRICTED TO -
CUSTOMER DRAWING			SCALE 10:1	SHEET 1 OF 1
			REV H1	