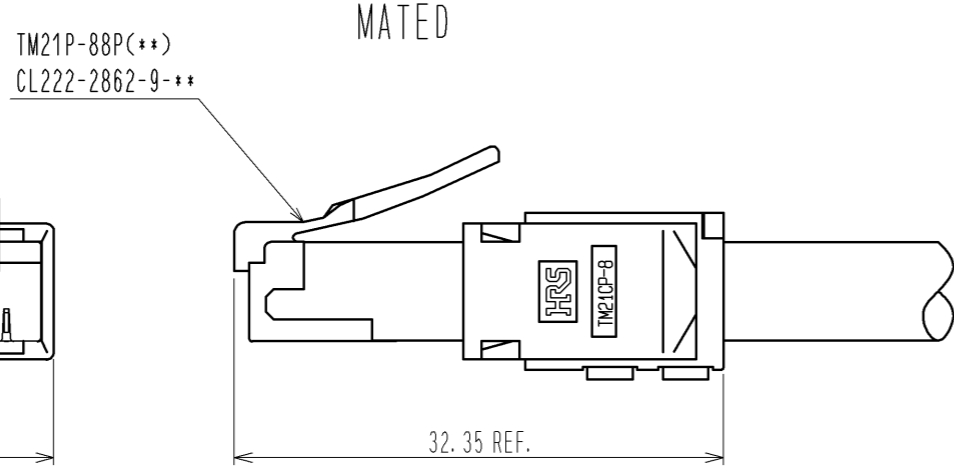
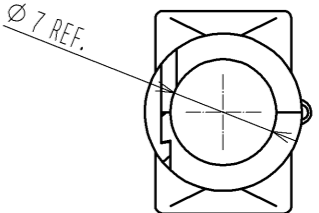
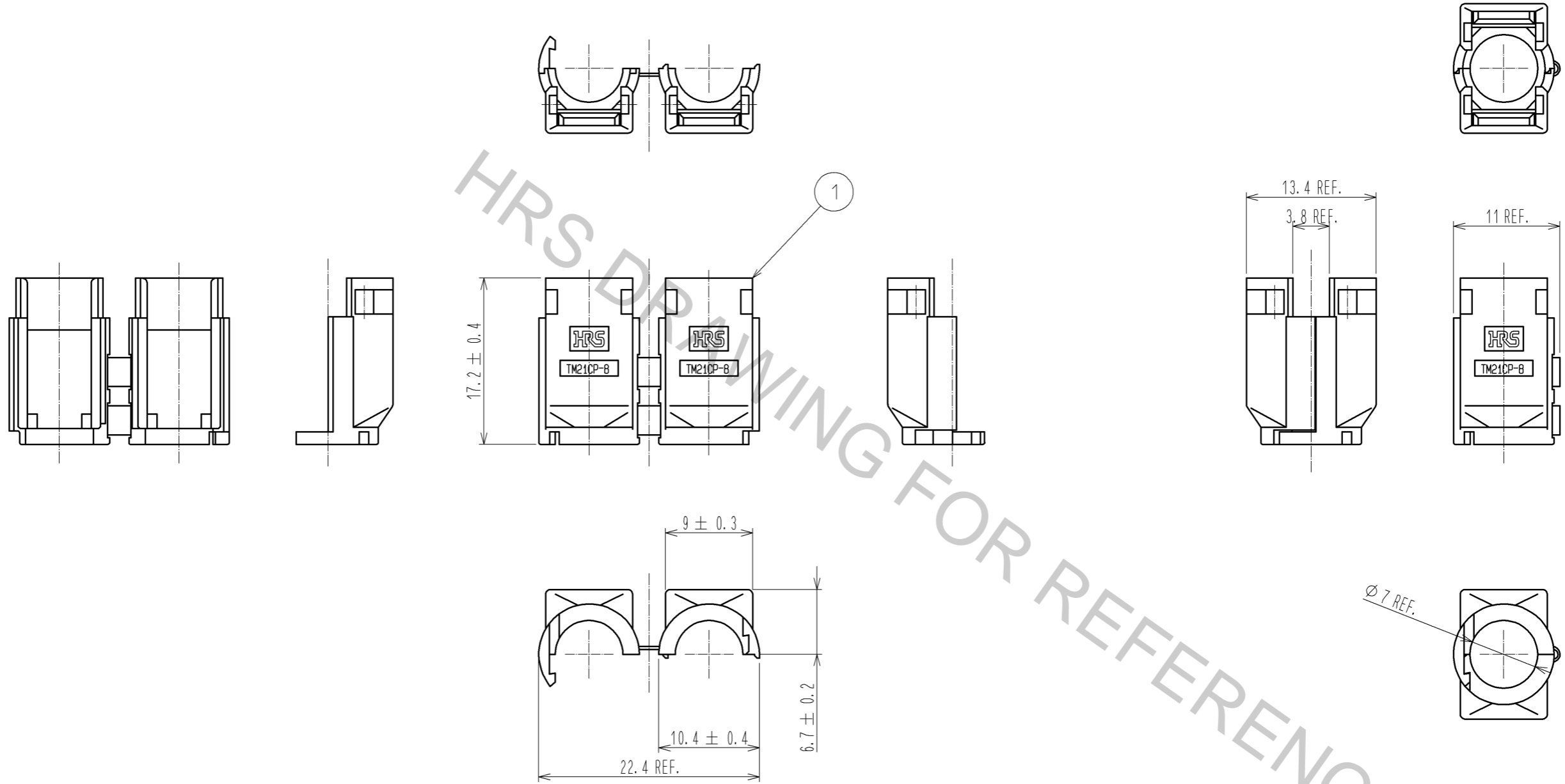


ATTACHED HOOD CLOSED



NOTES 1. PER PACK : 50 PIECES.

| NO. | MATERIAL | FINISH . REMARKS | NO. | MATERIAL | FINISH . REMARKS |
|---------------------------|----------|------------------|-------------|---------------------------------------------|-----------------------|
| | | | 1 | POLYAMIDE | (BLACK) |
| UNITS mm | | SCALE 2:1 | COUNT | DESCRIPTION OF REVISIONS DIS-E-003110 | DESIGNED MT. ITANO |
| | | | | APPROVED : HO. MIWA | 05. 01. 05 |
| | | | | CHECKED : TH. KAMEYA | 05. 01. 05 |
| | | | | DESIGNED : SS. SATOH | 05. 01. 05 |
| | | | | DRAWN : SS. SATOH | 05. 01. 05 |
| HIROSE ELECTRIC CO., LTD. | | | DRAWING NO. | EDC3-122165-01 | |
| | | | PART NO. | TM21CP-88P(13) | |
| | | | CODE NO. | CL222-2884-1-13 | |
| | | | | | 1/1 |