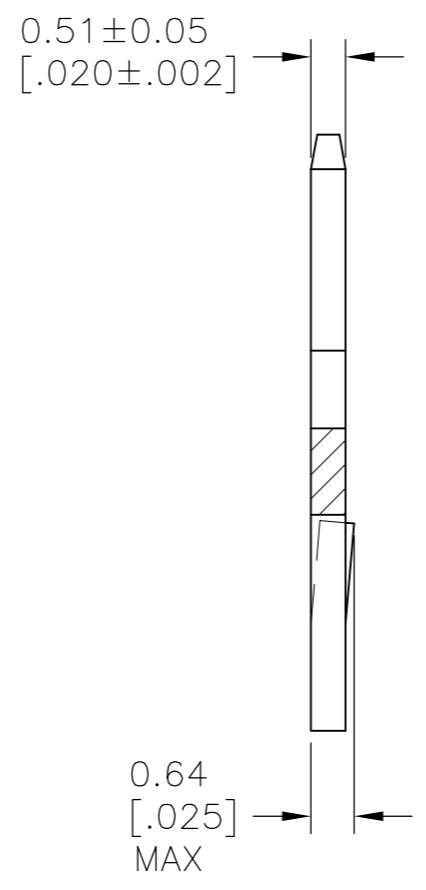
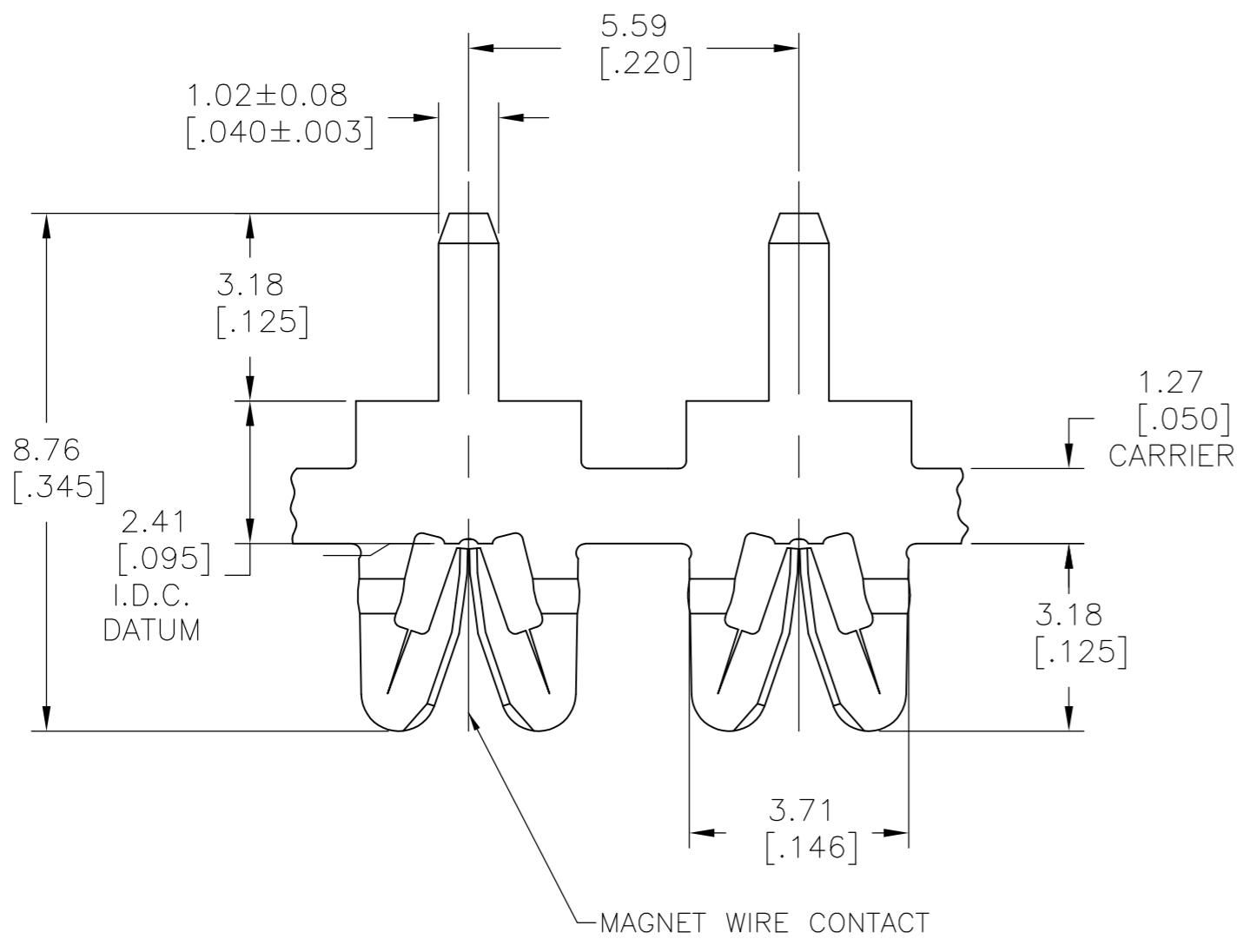
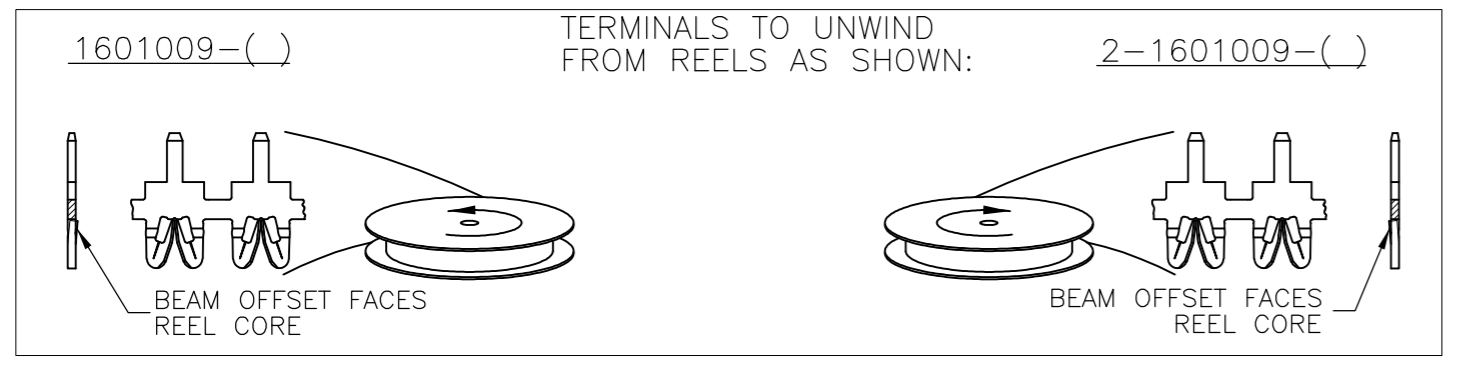
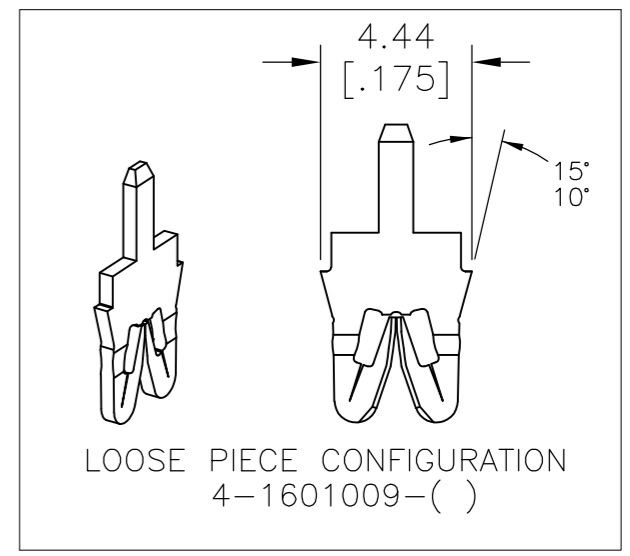


THIS DRAWING IS UNPUBLISHED. RELEASED FOR PUBLICATION
 © COPYRIGHT BY TYCO ELECTRONICS CORPORATION. ALL INTERNATIONAL RIGHTS RESERVED.

LOC	DIST	REVISIONS			
P	LTR	DESCRIPTION	DATE	DWN	APVD
AF	50	E2	REVISED PER ECR-10-013120	24JUN10	HMR GJ



- 1 SPECIFICATIONS:
MAGNET WIRE #18 - #34 AWG,
1.02 [.040]-0.16 [.006] DIA COPPER.
OTHER SIZES MAY BE ACCOMMODATED,
CONSULT TYCO ELECTRONICS FOR APPROVAL.
- 2 POCKET RECOMMENDATION: #1601424
- 3 TERMINAL APPLICATION TO COMPLY WITH TYCO ELECTRONICS SPECIFICATION 114-13166 FIGURE 5.
- 4 TWO(2) TERMINALS SHOWN FOR ILLUSTRATION PURPOSES ONLY.



OBSOLETE
 SUPERSEDED BY 4-1601009-4
 SUPERSEDED BY 1601009-4

POST TIN PLATE OVER NICKEL	-	4-1601009-4
POST TIN PLATE OVER NICKEL	-	1601009-4
SELECTIVE POST TIN-LEAD PLATE OVER NICKEL	031-020-124	4-1601009-3
POST TIN-LEAD PLATE OVER NICKEL	031-020-024	4-1601009-2
POST TIN-LEAD PLATE OVER NICKEL	131-020-024	1601009-2
UNPLATED	131-020-000	1601009-1
FINISH	REFERENCE PART NUMBER	TE PART NUMBER
THIS DRAWING IS A CONTROLLED DOCUMENT.		
DIMENSIONS: mm [INCHES] TOLERANCES UNLESS OTHERWISE SPECIFIED: 0 PLC ± - 1 PLC ± - 2 PLC ± 0.13[.005] 3 PLC ± - 4 PLC ± - ANGLES ± 2°		DWN J.WELLER 11JAN2002 CHK M.FEHER 11JAN2002 APVD K.RANDOLPH 11JAN2002 PRODUCT SPEC 108-2085 APPLICATION SPEC 3
MATERIAL: BRASS, SPRING HARD		FINISH: SEE TABLE
WEIGHT: -		SCALE: 9:1
CUSTOMER DRAWING		SHEET: 1 OF 1
Tyco Electronics Corporation, Harrisburg, PA 17105-3608		RESTRICTED TO: -
STANDARD RANGE WIRE TO 1.01 X 0.51 P.C.B. SIAMEZE TERMINAL		REV: E2