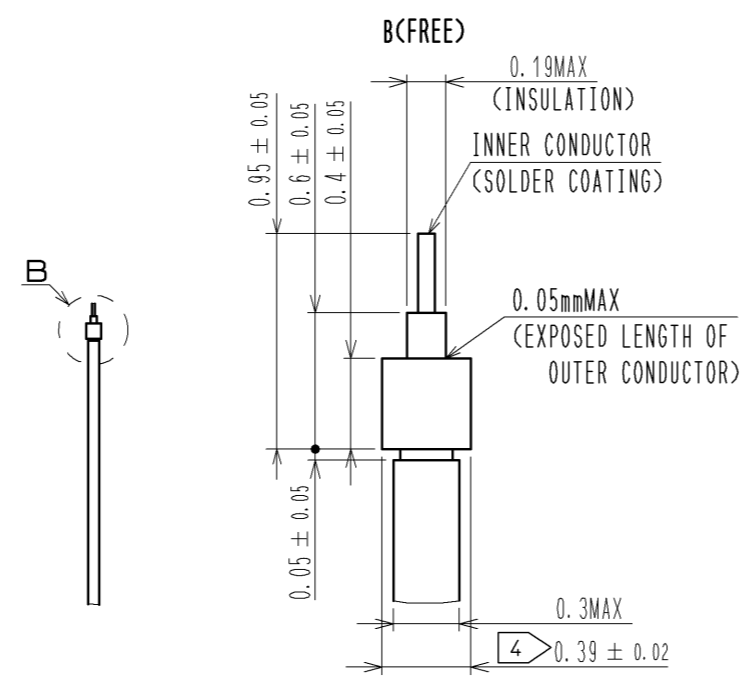
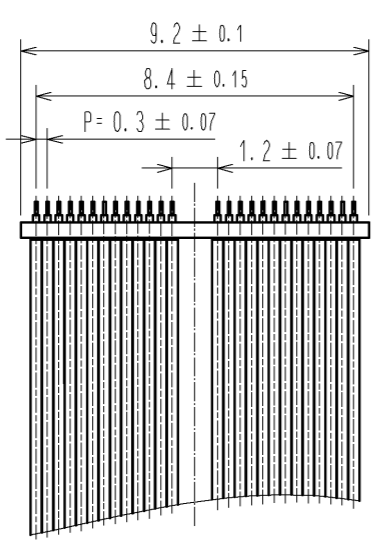


RECOMMENDED CABLE SUBASSEMBLY



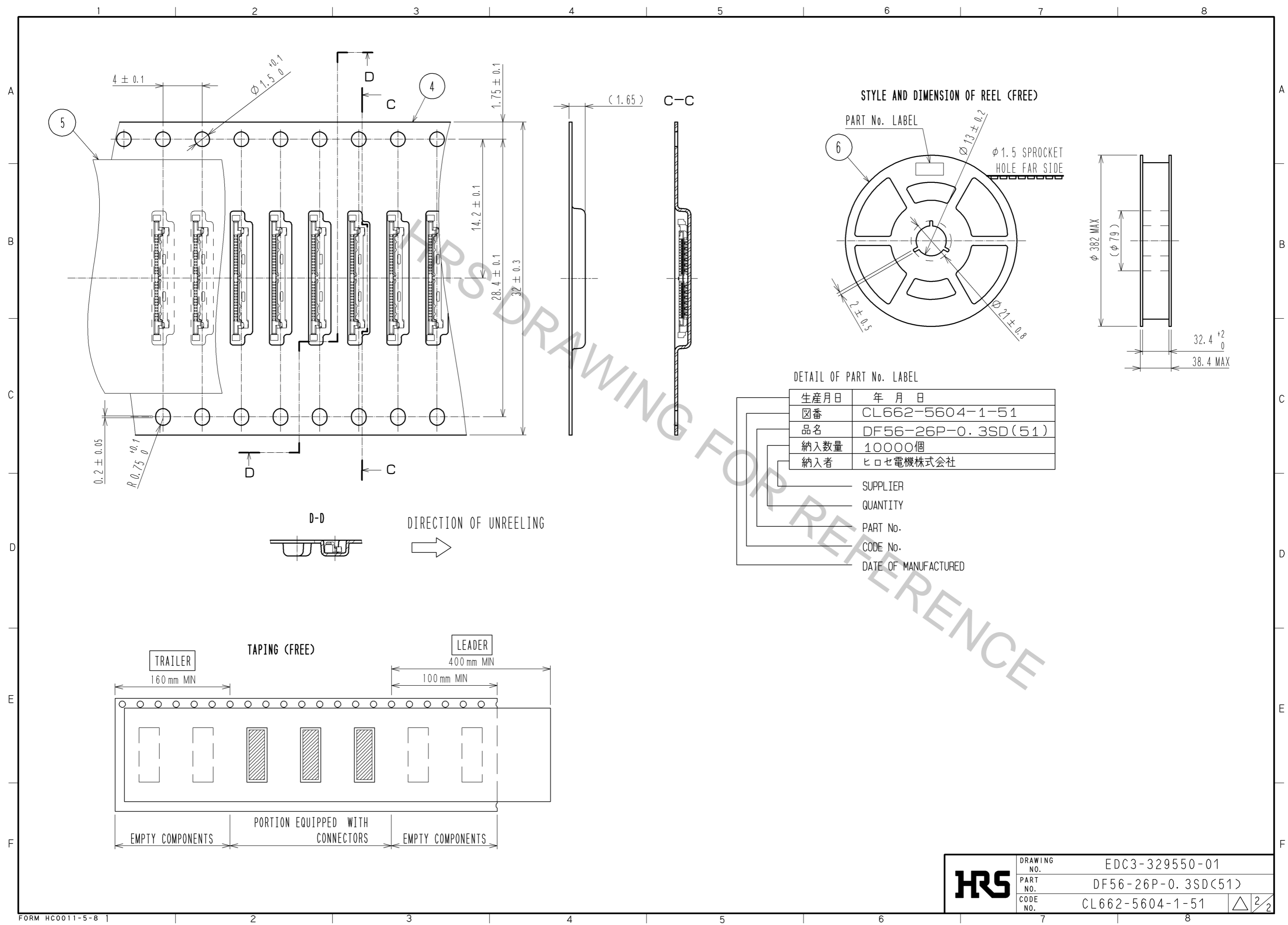
ITEM No.	PART NAME	PART No.	CODE No.
1, 2, 3	CONNECTOR UNIT	DF56-26P-0.3SD(51)	CL662-5604-1-51
-	METAL SHIELDING	DF56-26P-SHL	CL662-5605-4-00

NOTES

1. APPLICABLE CABLE: MICRO COAXIAL CABLE(AWG#42~AWG#46)
2. THIS CONNECTOR IS NOT HOT PLUGGABLE. MATE AND UNMATE WHILE THE POWER IS OFF.
- 3 THE ASSEMBLY IS COMPLETED BY COMBINING TWO PARTS 'CONNECTOR UNIT, AND METAL SHIELDING'. REFER TO THE TABLE FOR EACH ITEM No., PART NAME, PART No AND CODE No.
- 4 SOLDER A GRAND BAR WITH AN EXTERNAL CONDUCTOR OF THE CABLE ABOUT STICKING A GRAND BAR TOGETHER.
- 5 PLEASE CONSULT ABOUT THE USE OF THE POTTING AND KAPTON TAPE SEPARATELY.

NO.	MATERIAL	FINISH	REMARKS	NO.	MATERIAL	FINISH	REMARKS
2	PHOSPHOR BRONZE	CONTACT AREA : Au PLATING 0.1μm min TERMINATION AREA : Au PLATING 0.1μm min UNDER PLATING : Ni PLATING 1μm min		6	PS	BLACK	
1	LCP	UL94V-0 . BLACK		5	POLYESTER	CLEAR	
				4	PS	CLEAR	
				3	STAINLESS	WHOLE AREA : Sn PLATING 1μm min UNDER PLATING : Ni 0.2μm min	

UNITS	SCALE	COUNT	DESCRIPTION OF REVISIONS	DESIGNED	CHECKED	DATE
mm	FREE	△				
APPROVED : TS. SAKATA			11.04.04	DRAWING NO. EDC3-329550-01		
CHECKED : HS. OZAWA			11.04.04	PART NO. DF56-26P-0.3SD(51)		
DESIGNED : AH. MIYAZAKI			11.04.01	CODE NO. CL662-5604-1-51		
DRAWN : AH. MIYAZAKI			11.04.01	△ 1/2		



HRS	DRAWING NO.	EDC3-329550-01	\triangle 2/2
	PART NO.	DF56-26P-0.3SD(51)	
	CODE NO.	CL662-5604-1-51	