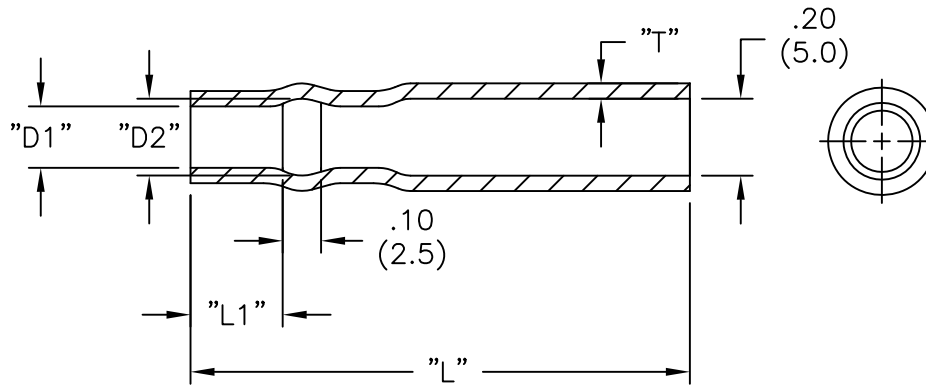


PART #	WIRE O.D. RANGE	WIRE Ga.	"D1"	"D2"	"L1" ±.04 (±1.0)	"L" ±.04 (±1.0)	"T"
215025	.058-.091	22-18	.10(2.5)	.16(4.0)	.24(6.0)	1.30(33.0)	.04(1.0)
215032	.071-.126	18-16	.13(3.2)	.18(4.5)	.28(7.0)	1.34(34.0)	.04(1.0)



NOTES:

1. MATERIAL: SOFT PVC (RMS-55).
2. COLOR: TRANSPARENT BLUE.

REV		DESCRIPTION	ENGR	DATE	TOLERANCES UNLESS NOTED .XX=±.010 .XXX=±.005 FRAC=±1/64 ANG=±1°	FILE # 2150XX MAT'L: SEE NOTES RE: RICHCO, INC.	DWN: D.D. DT: 05-21-96	APP: DT:	PART # SEE TABLE	PRINT TYPE CA
C		SEE CO 200604 FOR CHANGES	SK	12.01.10						
B		SEE CO 200041 FOR CHANGES	SK	09.28.07						
A		CHANGED FILE NO. AND TITLE BLOCK	SM	03.21.02						
TITLE: INSULATING SLEEVE FOR PIN RECEPTACLE					DWG IN IN (MM) FINAL		RICHCO INC. PO BOX 804238, CHICAGO, 60680 (773) 539-4060			