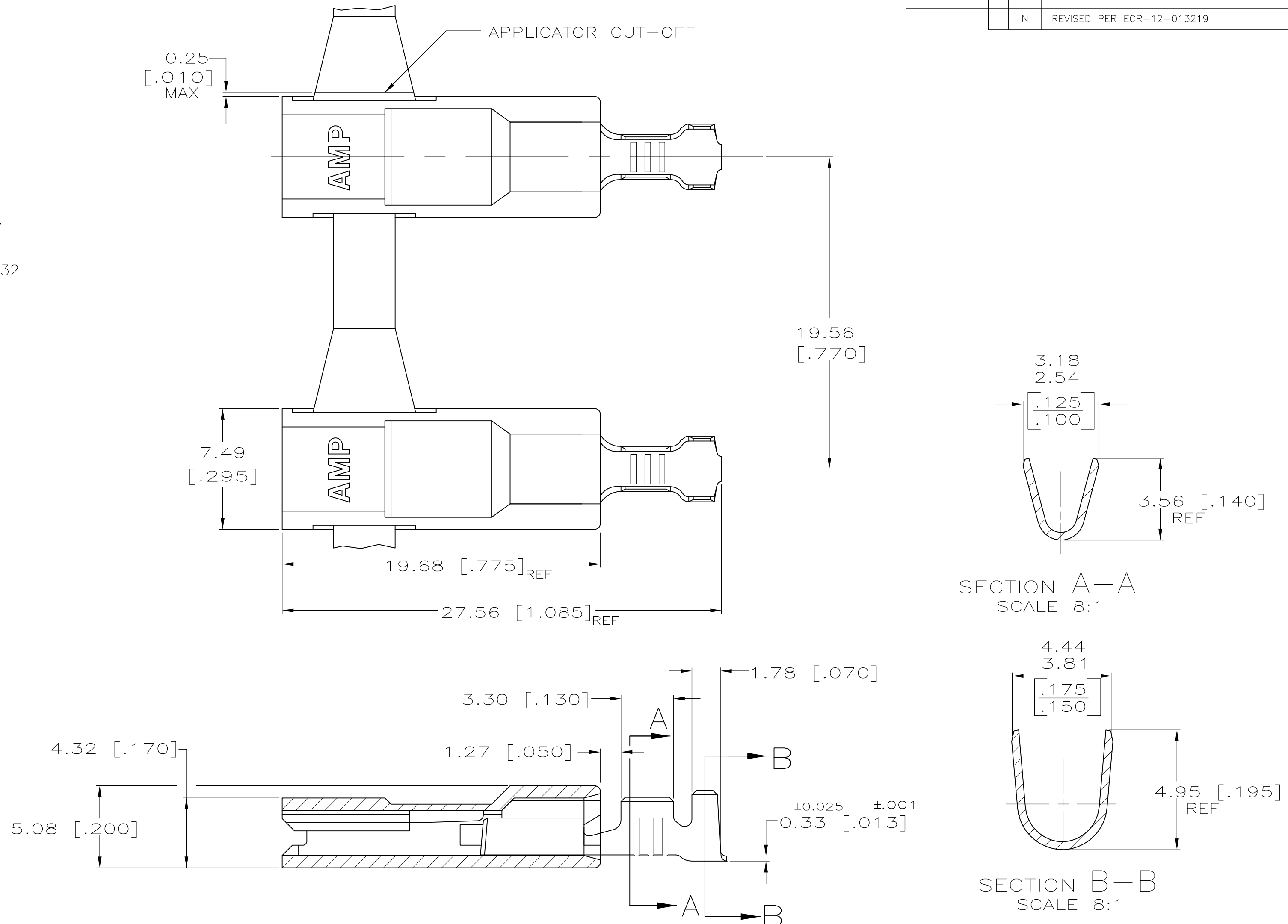


THIS DRAWING IS UNPUBLISHED. RELEASED FOR PUBLICATION  
 © COPYRIGHT - By - ALL RIGHTS RESERVED.

LOC	DIST	REVISIONS			
P	LTR	DESCRIPTION	DATE	DWN	APVD
AF	50				
N		REVISED PER ECR-12-013219	08JAN13	KH	KR



- 1 FASTON TERMINALS, BASE P/N 63654, ARE USED IN THIS PRODUCT.
- 2 TIN PLATE PER MIL-T-10727, 0.002032 [.000080] MIN.
- 3 MATERIAL: HOUSING - 6/6 NYLON  
TERMINAL - BRASS
- 4 FINISH: SEE TABLE

OBSOLETE	BULK	NATURAL	PLAIN	2.29-3.30 [.090-.130]	0.5-1.3 mm <sup>2</sup> [20-16]	0.813 [.032]	-5-520982-1 520982-8 520982-2 520982-1
	STANDARD	BLACK	PLAIN				
PACKAGING	HOUSING COLOR	NATURAL	TIN 2	INSULATION RANGE	WIRE SIZE	MATING TAB THK ±0.025 [±.001]	PART NO.
		NATURAL	PLAIN				

THIS DRAWING IS A CONTROLLED DOCUMENT.		DWN	JR RUTH	12/6/90	 TE Connectivity
DIMENSIONS: mm [INCHES]		CHK	MS FEHER	12/6/90	
TOLERANCES UNLESS OTHERWISE SPECIFIED:		APVD	R KUZO	12/6/90	
0 PLC ± - 1 PLC ± - 2 PLC ± - 3 PLC ± 0.25 [.010] 4 PLC ± - ANGLES ± - FINISH		PRODUCT SPEC	118-1285	NAME	
MATERIAL	- 3	WEIGHT	-	SIZE	A2
CUSTOMER DRAWING		SCALE	5:1	SHEET	1 OF 1