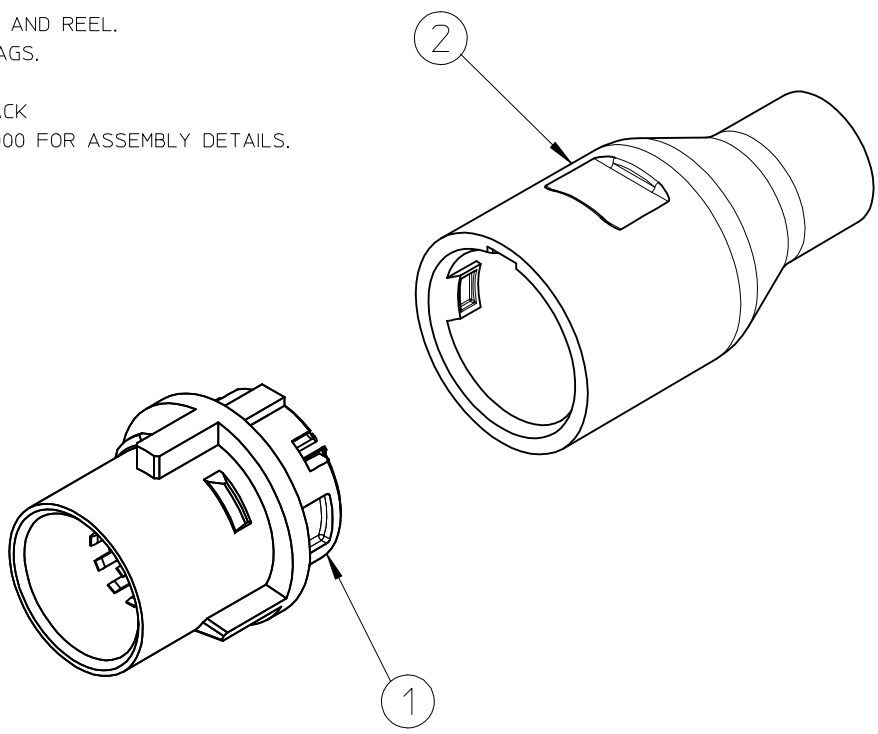


ITEM NUMBER	P/N	DESCRIPTION	QTY	SPQ
1	172355-2500	MPC D2 17 CIRCUIT DISPOSABLE HOUSING ASSEMBLY	1	10
2	172357-8017	MPC D2 MALE DISPOSABLE BOOT LARGE ID	1	10

NOTES:

- HOUSING ASSEMBLY TO BE PACKAGED IN TAPE AND REEL.  
BOOT TO BE INDIVIDUALLY BULK PACKED IN BAGS.  
PER SPEC PK-70873-3344.
- MATERIAL: MEDICAL GRADE LEXAN; COLOR, BLACK
- SEE APPLICATION SPECIFICATION AS-172890-0000 FOR ASSEMBLY DETAILS.
- MATES WITH KIT P/N 172350-1710.



CHGD QTY EC NO: UCP2016-0326 DRWN: JONIAK 2015/07/21 CHKD: APPR: RHODGE 2015/07/21 REV: B	QUALITY SYMBOLS	GENERAL TOLERANCES (UNLESS SPECIFIED)	DIMENSION STYLE	SCALE	DESIGN UNITS	THIRD ANGLE PROJECTION
	▽=0	mm INCH	MM ONLY	4:1	METRIC	
	▽=0	4 PLACES ± --- ± ---	DRAWN BY DATE	TITLE		
	▽=0	3 PLACES ± --- ± ---	JONIAK 2015/06/25	MPC D2 MALE DISPOSABLE ASSEMBLY KIT 17 CIRCUIT		
	2 PLACES ± 0.13 ± ---	CHECKED BY DATE	APPROVED BY DATE RHODGE 2015/06/26			
	1 PLACE ± 0.25 ± ---					
	0 PLACE ± --- ± ---	ANGULAR ±1/2°	MATERIAL NO.	DOCUMENT NO.	SHEET NO.	
		DRAFT WHERE APPLICABLE MUST REMAIN WITHIN DIMENSIONS	172890-1710	SD-172890-1710	1 OF 1	
			THIS DRAWING CONTAINS INFORMATION THAT IS PROPRIETARY TO MOLEX INCORPORATED AND SHOULD NOT BE USED WITHOUT WRITTEN PERMISSION			