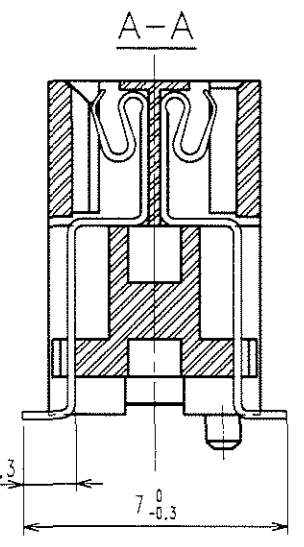
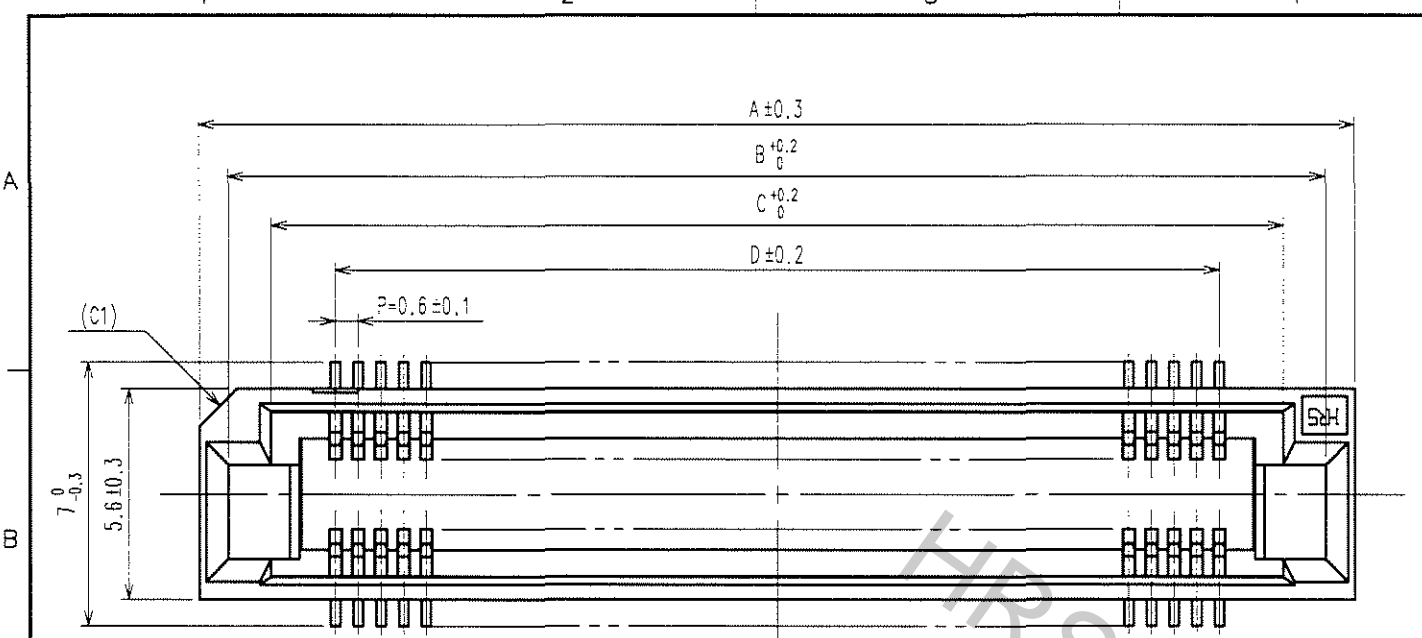
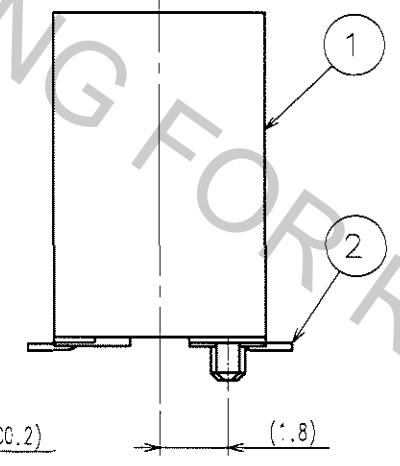
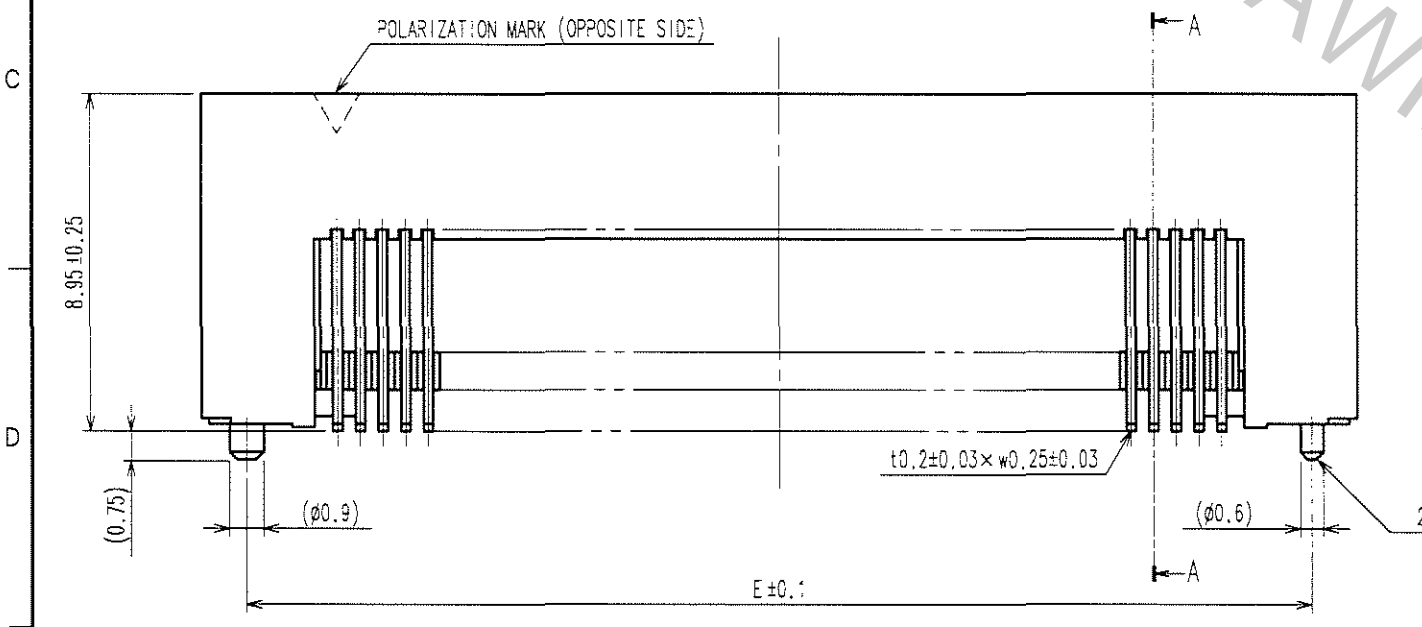
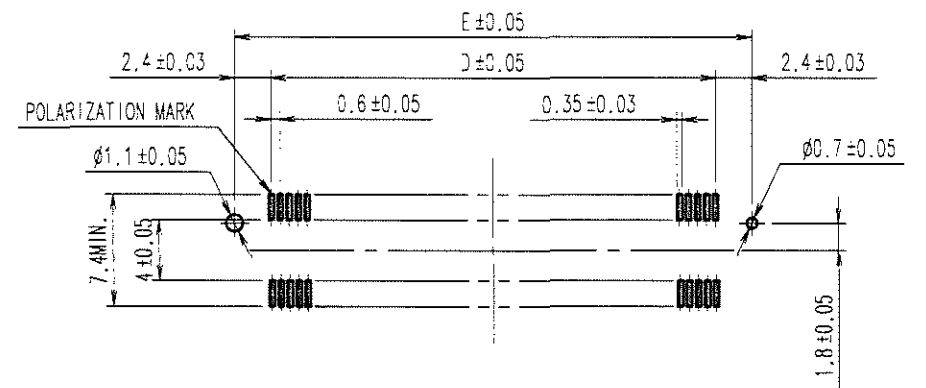


Apr.1.2017 Copyright 2017 HIROSE ELECTRIC CO., LTD. All Rights Reserved.

COUNT	DESCRIPTION OF REVISIONS	BY	CHKD	DATE	COUNT	DESCRIPTION OF REVISIONS	BY	CHKD	DATE



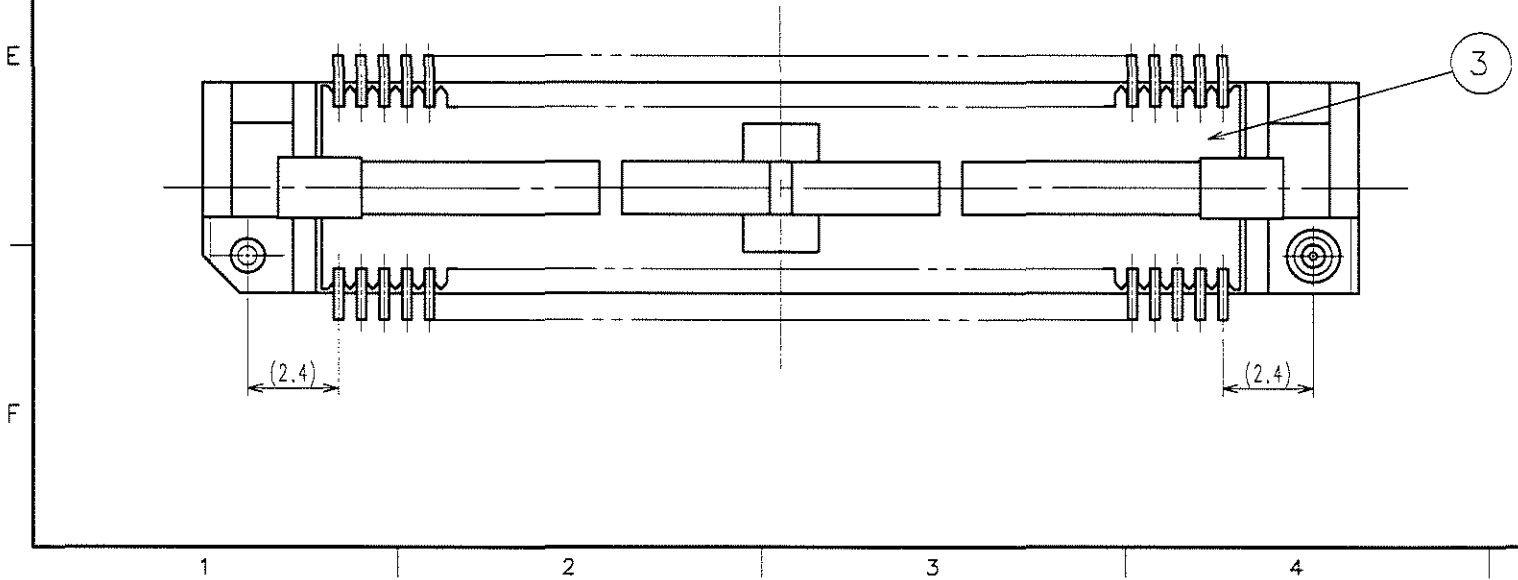
RECOMMENDED LAND PATTERN DIMENSION OF P.C.B. (MOUNTING SIDE)



DIMENSION TABLE OF CONNECTOR AND P.C.B. LAND PATTERN.

PART No.	CODE No.	4	A	B	C	D	E
FX8C-60S-SV5(71)	CL578-0821-0-71	60	24.60	23.05	20.80	17.40	22.20
FX8C-80S-SV5(71)	CL578-0823-5-71	80	30.60	29.05	26.80	23.40	28.20
FX8C-100S-SV5(71)	CL578-0825-0-71	100	36.60	35.05	32.80	29.40	34.20
FX8C-120S-SV5(71)	CL578-0826-3-71	120	42.60	41.05	38.80	35.40	40.20
FX8C-140S-SV5(71)	CL578-0827-6-71	140	48.60	47.05	44.80	41.40	46.20

- NOTE 1. LEAD CO-PLANARITY SHALL BE 0.1mm MAX.
 2. FOR MODIFICATION, ETC., PREVENTIVE HOLE FOR SINK MARK MAY BE ADDED ACCORDING TO CIRCUMSTANCES.
 3. THE DIMENSIONS IN PARENTHESES ARE FOR REFERENCE.
 4. NUMBER OF CONTACTS.



TO
PCK

1, 3	PPS	LIGHT BROWN (UL94V-0)	2	PHOSPHOR BRONZE	CONTACT AREA: GOLD 0.1μm min. LEAD AREA: TIN-PLATING 1μm min. UNDER PLATING: NICKEL 1μm min.		
NO.	MATERIAL	FINISH, REMARKS	NO.	MATERIAL	FINISH, REMARKS		
CODE NO. (OLD)	CL		DRAWN	DESIGNED	CHECKED	APPROVED	RELEASED
			A. SUZUKAWA	H. Nakamura	T. Ogawa	H. Okawa	
			06.06.20	'06.06.21	'06.06.21	'06.06.22	
SCALE	FREE	DRAWING NO.	PART NO.				
UNITS	mm	EDC3-151023-25	FX8C-**S-SV5(71)				
		HRS HIROSE ELECTRIC CO., LTD	CODE NO. CL578				

1/1