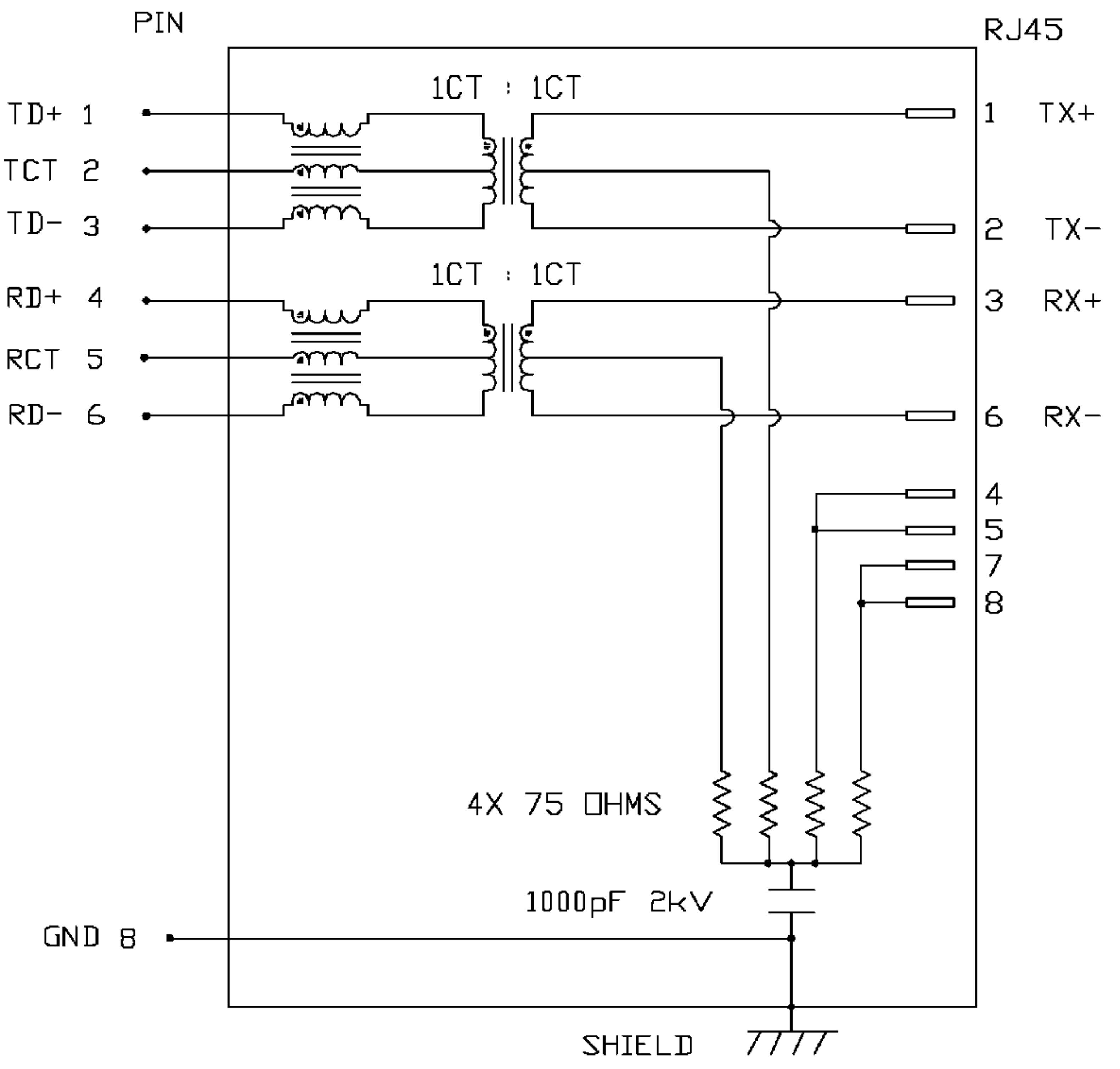


THE INFORMATION CONTAINED HEREIN IS CONSIDERED "PROPRIETARY" TO BEL FUSE INC. AND SHALL NOT BE COPIED, REPRODUCED OR DISCLOSED WITHOUT THE WRITTEN APPROVAL OF BEL FUSE INC.

ELECTRICAL CHARACTERISTICS @ 25°C

RETURN LOSS (MIN.)	
1MHz-30MHz	-18 dB
60MHz-80MHz	-12 dB
INSERTION LOSS	
100KHz TO 100MHz	-1.1 dB
DCL @ 0.1V, 100KHz	
8mA DC BIAS	350μH MIN.
TURNS RATIO	1CT : 1CT ±3%
XTALK	
100KHz TO 100MHz	-35 dB MIN.

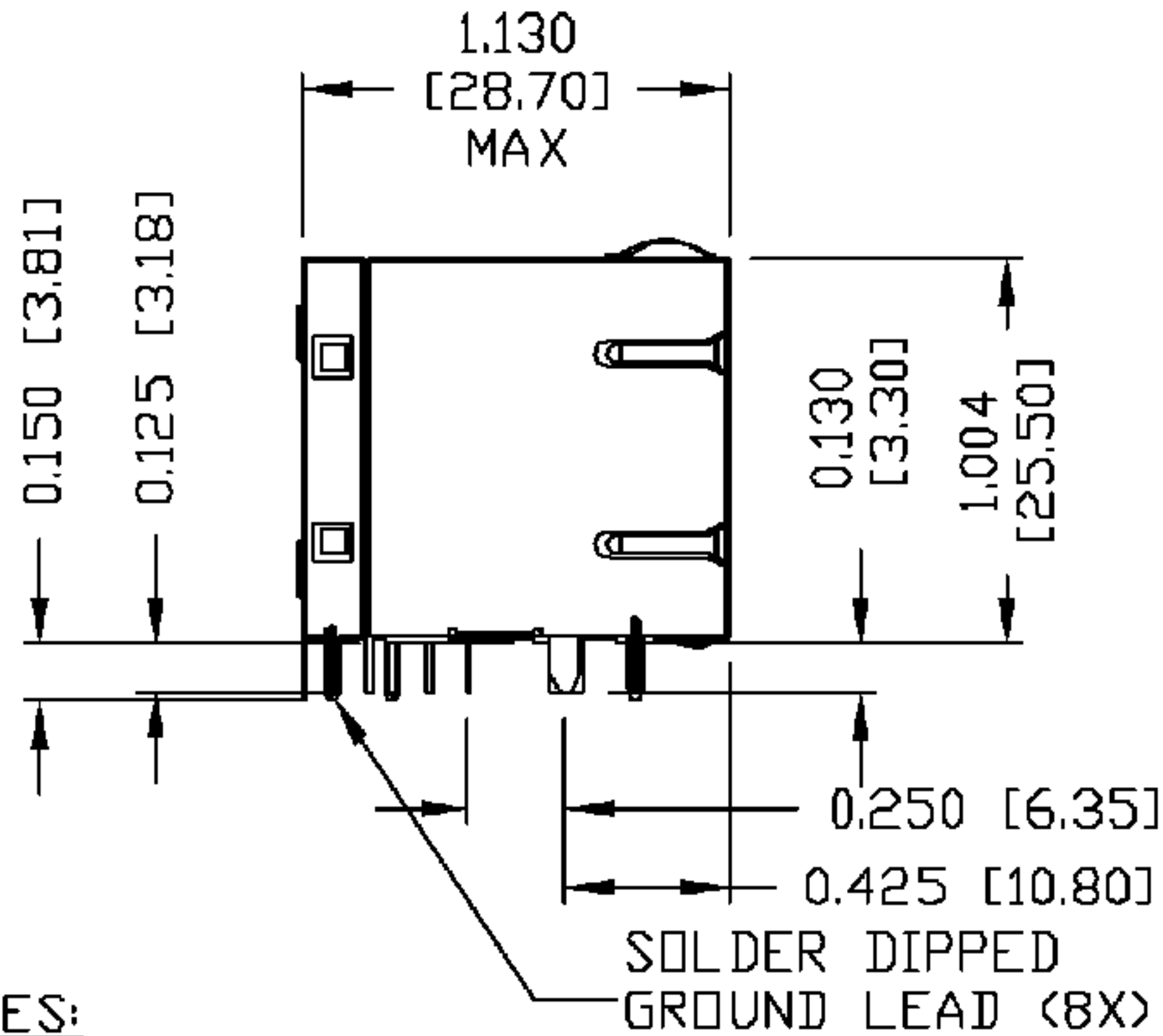
SCHEMATIC



DRWN DE	DATE 12-12-04	TITLE 2X8 MagJack™ (4 Cores)	PART NO. / DRAWING NO. 0811-2X8R-19	STANDARD DIM. TOL. IN INCH .X .XX .XXX	[ ] METRIC DIM. AS REFERENCE UNIT : INCH [mm] SCALE : N/A	REV. : E SIZE : A4 PAGE : 2	 COMPONENTS FOR A CONNECTED PLANET
CHKD CHUNG	DATE 12-12-04		FILE NAME 08112X8R19E.DWG				

FORM NO. - ENG020B2001

THE INFORMATION CONTAINED HEREIN IS CONSIDERED "PROPRIETARY" TO BEL FUSE INC. AND SHALL NOT BE COPIED, REPRODUCED OR DISCLOSED WITHOUT THE WRITTEN APPROVAL OF BEL FUSE INC.

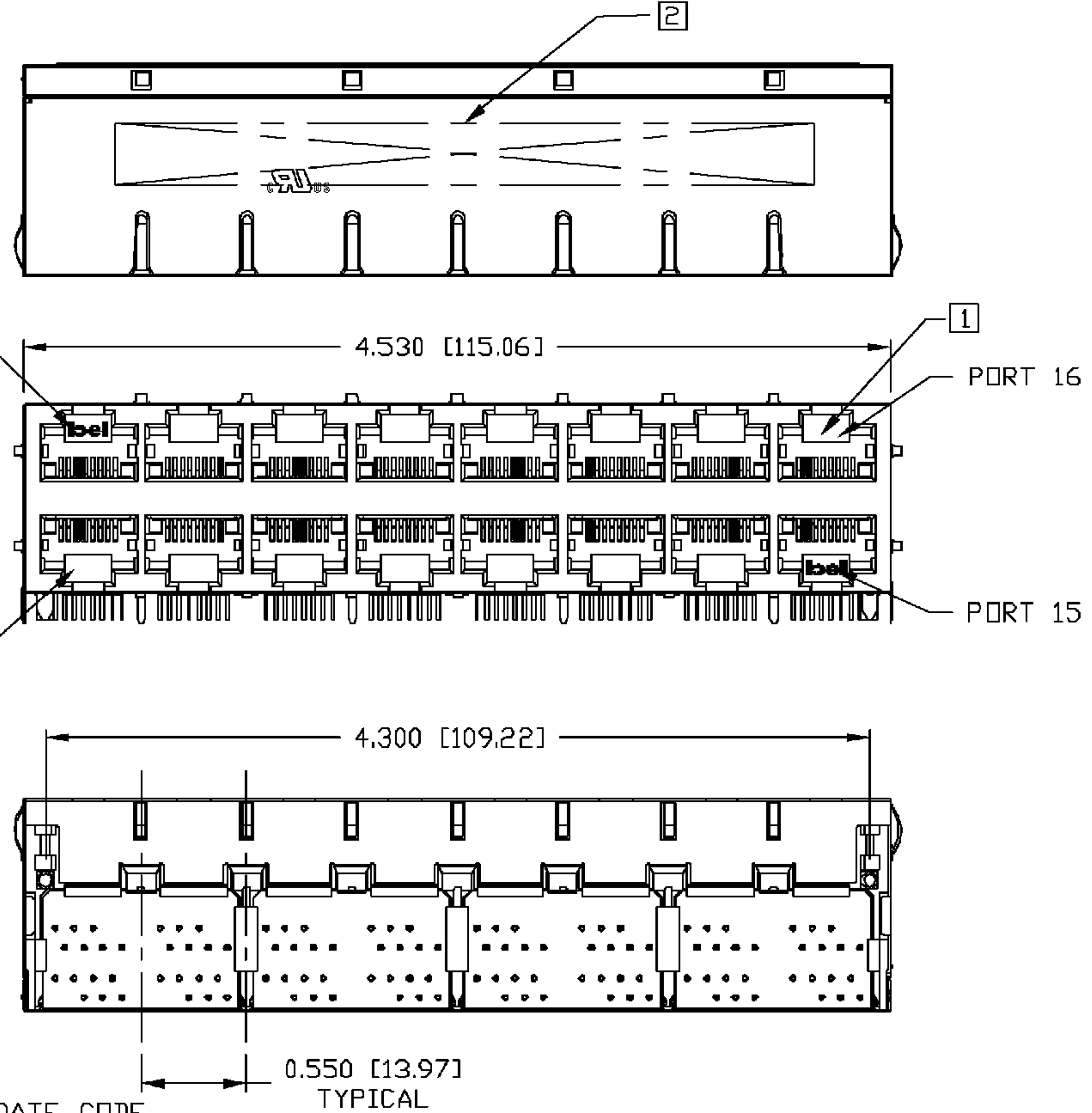


NOTES:

- PLASTIC HOUSING: THERMOPLASTIC PBT  
FLAMMABILITY RATING UL 94V-0
- CONTACT PLATING: 50 MICRO-INCH HARD GOLD PLATING
- OUTPUT PINS: TIN-COATED COPPER WIRE, DIA 0.018 INCH.
- SOLDERABILITY: PER MIL STD. 202, METHOD 208.
- METAL SHIELD: NICKEL PLATED COPPER ALLOY.  
(ALL GROUND LEADS ARE SOLDER DIPPED)

- 1. JACK CAVITY CONFORMS TO FCC RULES AND REGULATIONS, PART 68 SUBPART F.
- 2. MARKED PART WITH MFG. LOGO, MFG. NAME, PART NUMBER, DATE CODE.

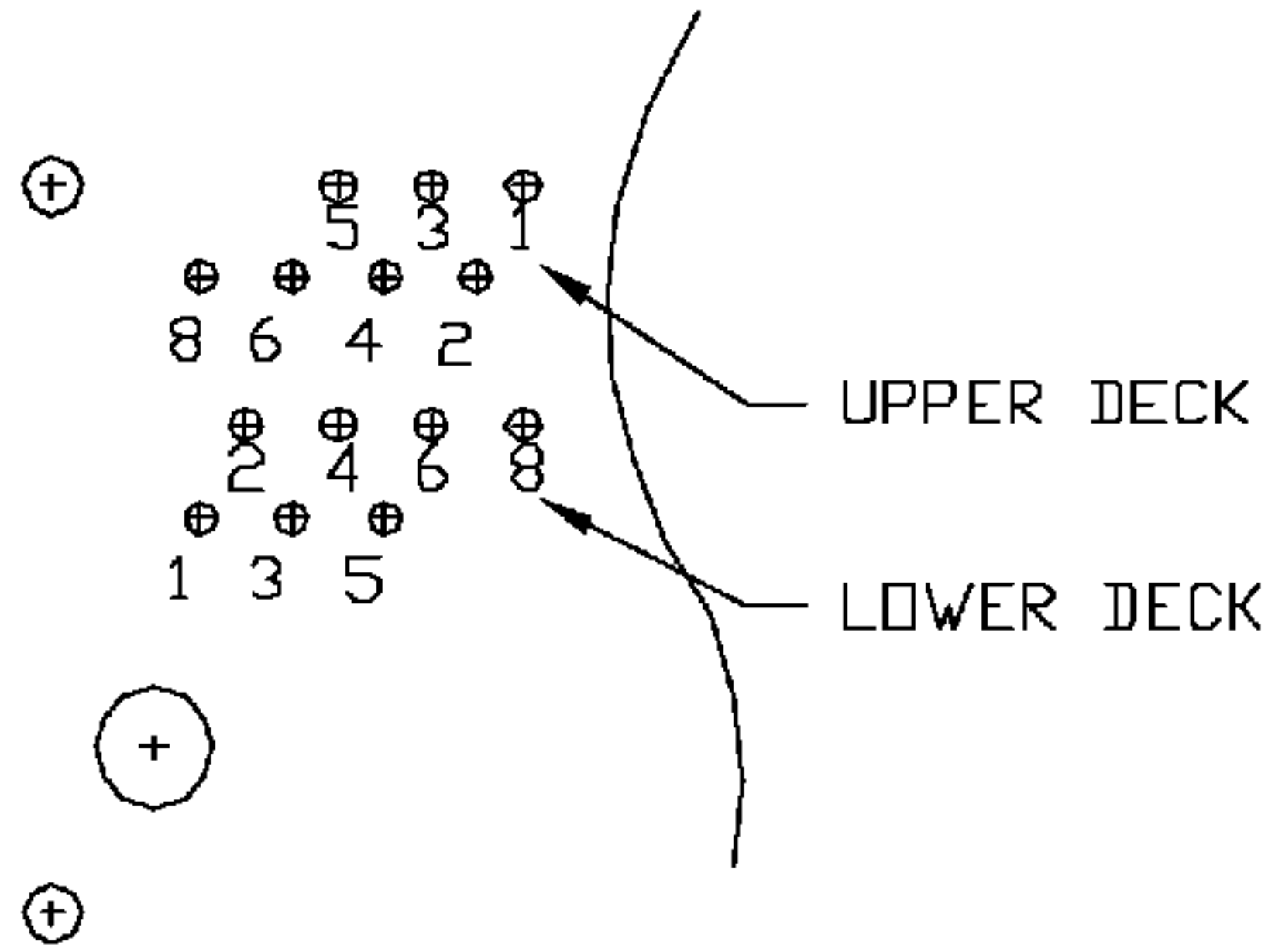
c us UL RECOGNIZED - FILE #E196366 AND E169987.



DRWN LING	DATE 12-12-04	TITLE 2X8 MagJack™ (4 cores)	PART NO. / DRAWING NO. 0811-2X8R-19	STANDARD DIM. TOL. IN INCH	[ ] METRIC DIM. AS REFERENCE	
CHKD TAD/KEUNG	DATE 12-12-04		FILE NAME 08112X8R19E.DWG	.X	UNIT : INCH [mm]	
				.XX	SCALE : N/A	
				.XXX ±0.010	REV. : E SIZE : A4 PAGE : 3	

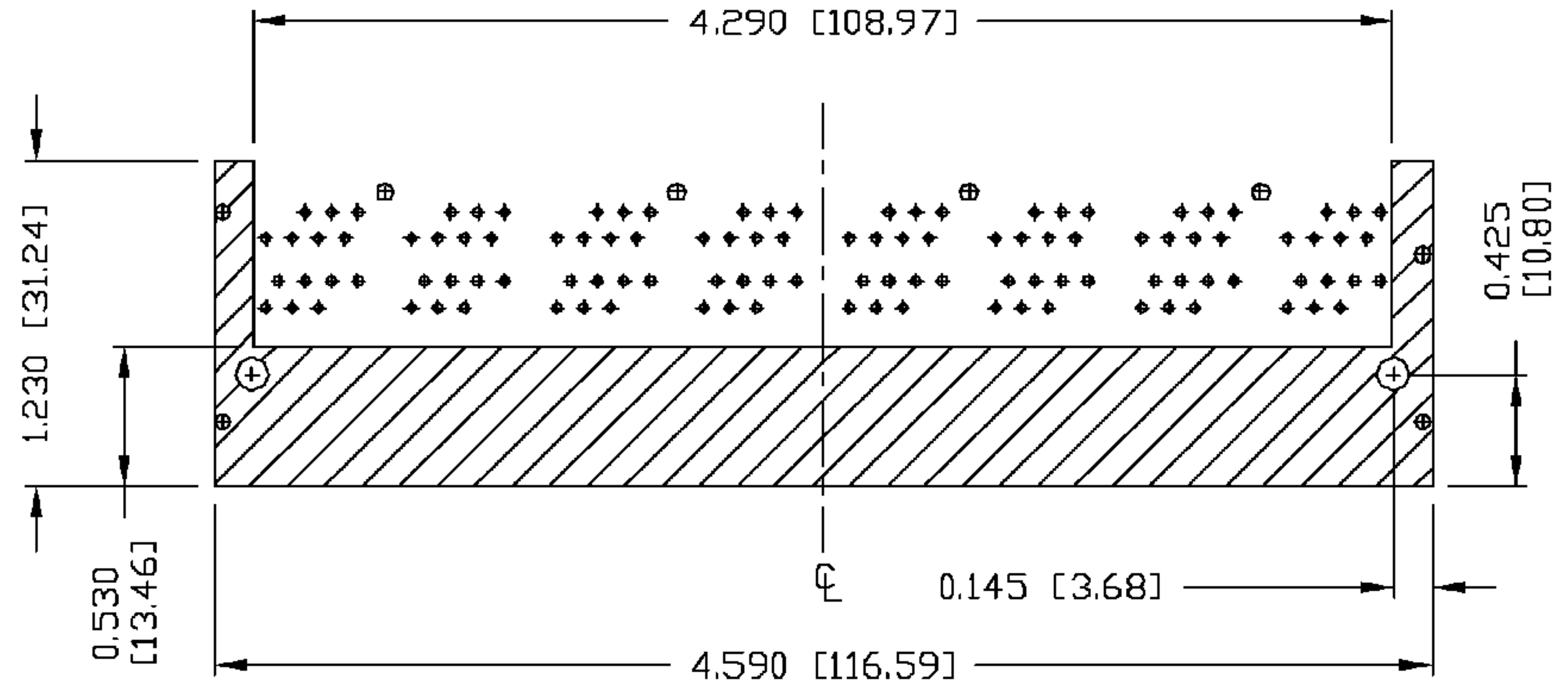
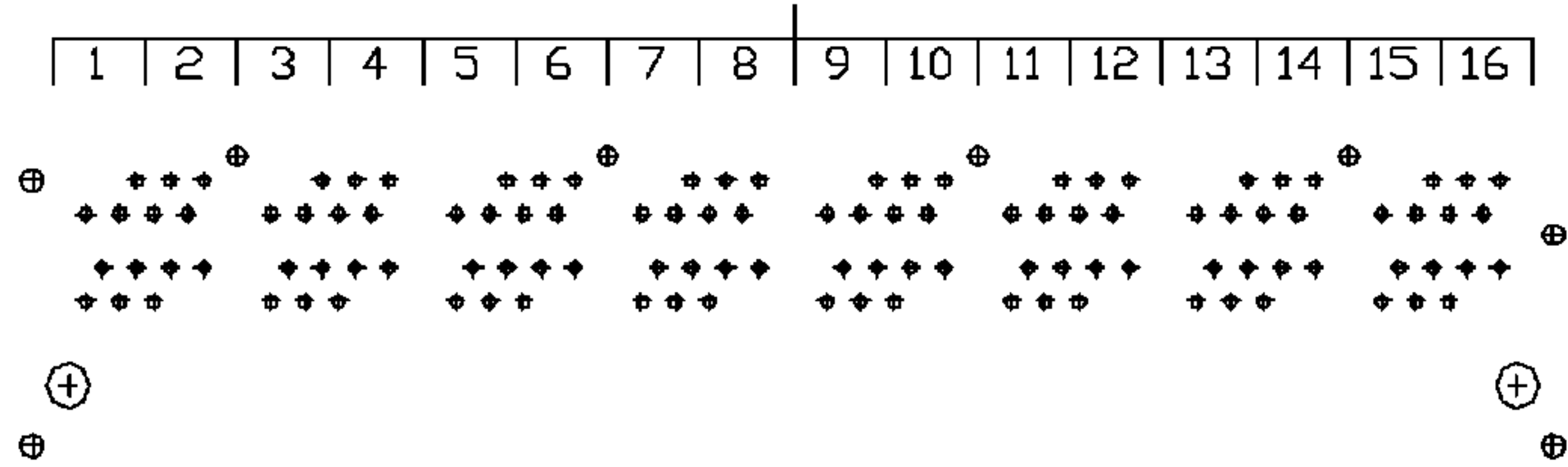
THE INFORMATION CONTAINED HEREIN IS CONSIDERED "PROPRIETARY" TO BEL FUSE INC. AND SHALL NOT BE COPIED, REPRODUCED OR DISCLOSED WITHOUT THE WRITTEN APPROVAL OF BEL FUSE INC.

PORT ASSIGNMENT  
(COMPONENT SIDE VIEW)



PIN-OUT INFORMATION  
(COMPONENT SIDE VIEW)

8	GND
7	NO PIN
6	RD-
5	RCT
4	RD+
3	TD-
2	TCT
1	TD+



THE SHADED AREA OF BOTTOM SIDE OF PART

DRWN	DATE	TITLE
LING	12-12-04	2X8 MagJack™ (4 cores)
CHKD	DATE	
TAD/KEUNG	12-12-04	

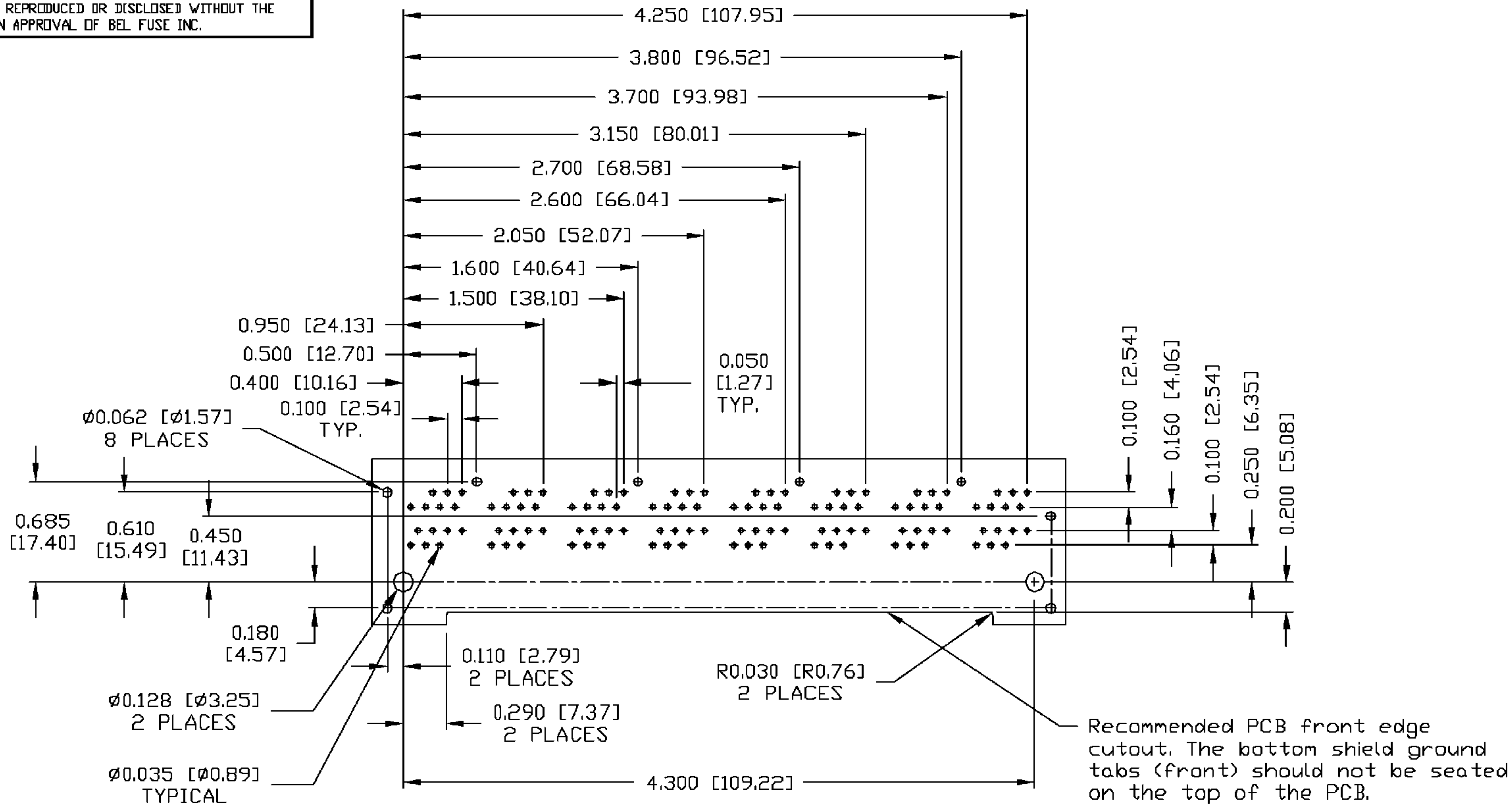
PART NO. / DRAWING NO.	0811-2X8R-19
FILE NAME	08112X8R19E.DWG


STANDARD DIM.	
TOL. IN INCH	
.X	
.XX	
.XXX	±0.010

[ ] METRIC DIM. AS REFERENCE	
UNIT : INCH [mm]	REV. : E
SCALE : N/A	SIZE : A4
	PAGE : 4



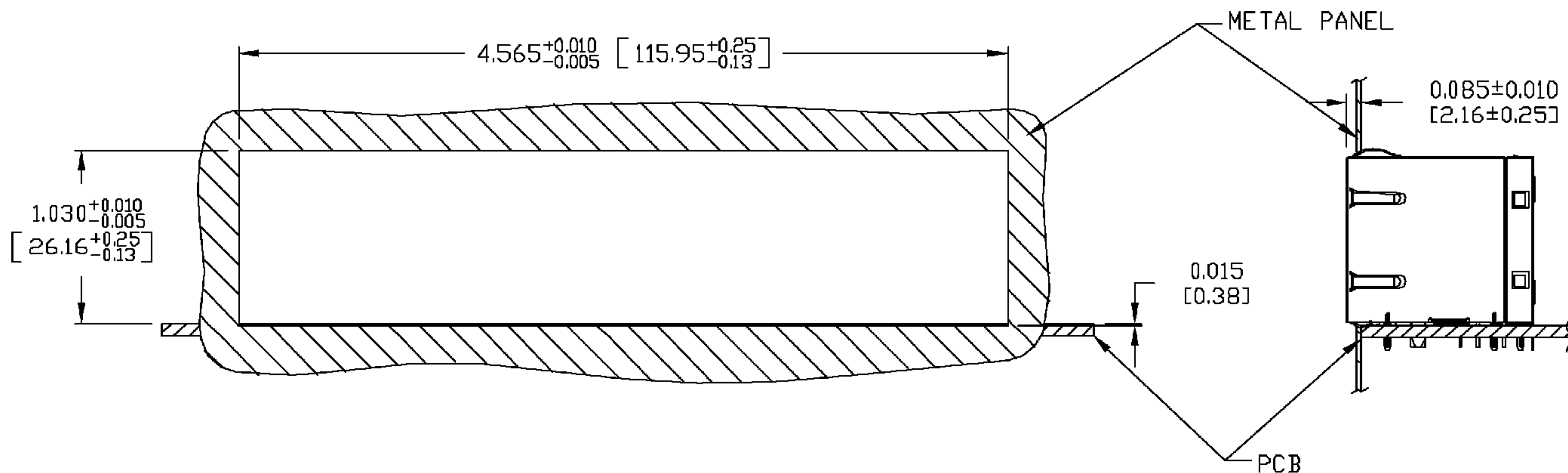
THE INFORMATION CONTAINED HEREIN IS CONSIDERED "PROPRIETARY" TO BEL FUSE INC. AND SHALL NOT BE COPIED, REPRODUCED OR DISCLOSED WITHOUT THE WRITTEN APPROVAL OF BEL FUSE INC.



DRWN DATE		TITLE	PART NO. / DRAWING NO.	STANDARD DIM.		[ ] METRIC DIM. AS REFERENCE		 COMPONENTS FOR A CONNECTED PLANET
LING	12-12-04			2X8 MagJack™ (4 cores)	0811-2X8R-19	TOL. IN INCH	UNIT : INCH [mm]	
CHKD DATE			FILE NAME	.X	SCALE : N/A	SIZE : A4		
TAD/KEUNG	12-12-04		08112X8R19E.DWG	.XX		PAGE : 5		
				.XXX	±0.010			

THE INFORMATION CONTAINED HEREIN IS CONSIDERED "PROPRIETARY" TO BEL FUSE INC. AND SHALL NOT BE COPIED, REPRODUCED OR DISCLOSED WITHOUT THE WRITTEN APPROVAL OF BEL FUSE INC.

SUGGESTED PANEL OPENING



NOTE:

THE DISTANCE OF PANEL INSIDE SURFACE RELATIVE TO FRONT SURFACE OF PART IS ONLY A SUGGESTION. IN CASE THIS DISTANCE IS DIFFERENT, THE REQUIRED PANEL OPENING DIMENSIONS CHANGE ACCORDINGLY.

PACKING INFORMATION

PACKING TRAY : 0200-9999-B2 (TOP)  
0200-9999-B1 (BOTTOM)

PACKING QUANTITY : 10 PCS FINISHED GOODS PER TRAY  
7 TRAYS (70 PCS FINISHED GOODS) PER CARTON BOX

NOTE : CARDBOARDS ARE PLACED BETWEEN LAYERS OF PACKING TRAY INSIDE CARTON BOX  
(INCLUDE THE UPPERMOST AND LOWERMOST TRAY)

DRWN		DATE	TITLE	PART NO. / DRAWING NO.	STANDARD DIM. TOL. IN INCH	[ ] METRIC DIM. AS REFERENCE	REV. :
LING		12-12-04	2X8 MagJack™ (4 cores)	0811-2X8R-19	.X	UNIT : INCH [mm]	E
CHKD		DATE		FILE NAME	.XX	SCALE : N/A	SIZE : A4
TAO/KEUNG		12-12-04		08112X8R19E.DWG	.XXX ±0.004	⊕	PAGE : 6

FORM NO. - ENG020B2001

