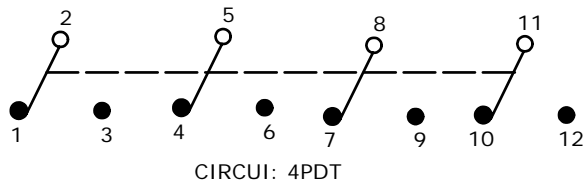


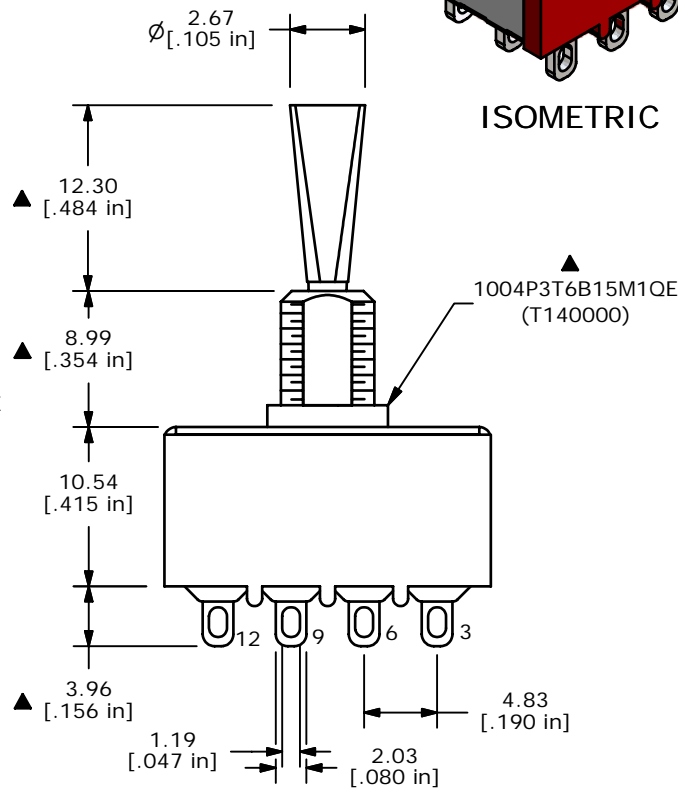
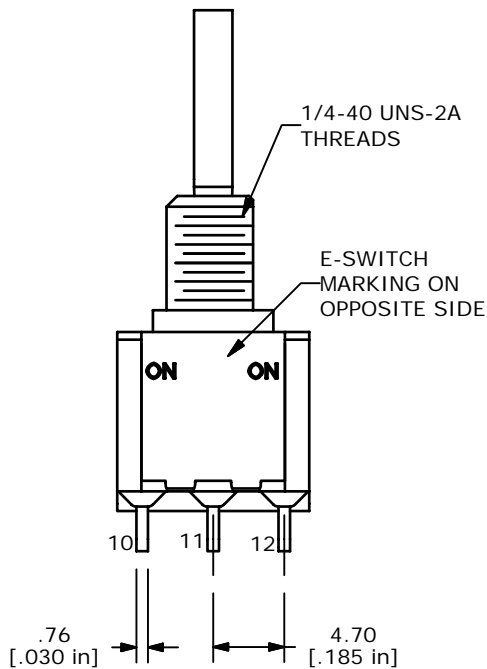
B ▲

SWITCH FUNCTION		
POS. 1	POS. 2	POS. 3
ON	OFF	ON
2-3, 5-6, 8-9, 11-12	OPEN	2-1, 5-4, 8-7, 11-10



NOTE:

1. ALL DIMENSIONS IN MM [INCH]
2. GENERAL TOLERANCE: X.X=±0.4  
X.XX=±0.25
3. TERMINAL NUMBERS FOR REF ONLY
- ▲ 4. PLATING MATERIAL: SILVER
5. RATING: 2A @250VAC  
5A @120VAC OR 28 VDC
6. ELECTRIC LIFE: 40,000 MAKE-AND-BREAK CYCLES AT FULL LOAD.
7. INSULATION RESISTANCE: 1,000 MEGA-OHM MIN.
8. DIELECTRIC STRENGTH: 1,000 V RMS @SEA LEVEL.
9. OPERATING TEMP.: -30°C to 85°C
- ▲ 10. HARDWARE TO BE SHIPPED BULK  
T100000 - HEXNUT - QTY 2  
T100011 - LOCKWASHER - QTY 1  
T100002 - LOCKRING - QTY 1
11. ▲ DENOTES CRITICAL PARAMETER.



**E-SWITCH®**

B	14899	CHANGED SWITCH POSITION TEXT	5/10/05	JB
A	14871	RELEASED FOR PRODUCTION	4/20/05	JB
REV	PCR NO	DESCRIPTION	DATE	BY

TITLE 1004P3T6B15M1QEH				
SCALE 2:1	DATE 4/20/2005	DR JB	DWG ST140000	REV B