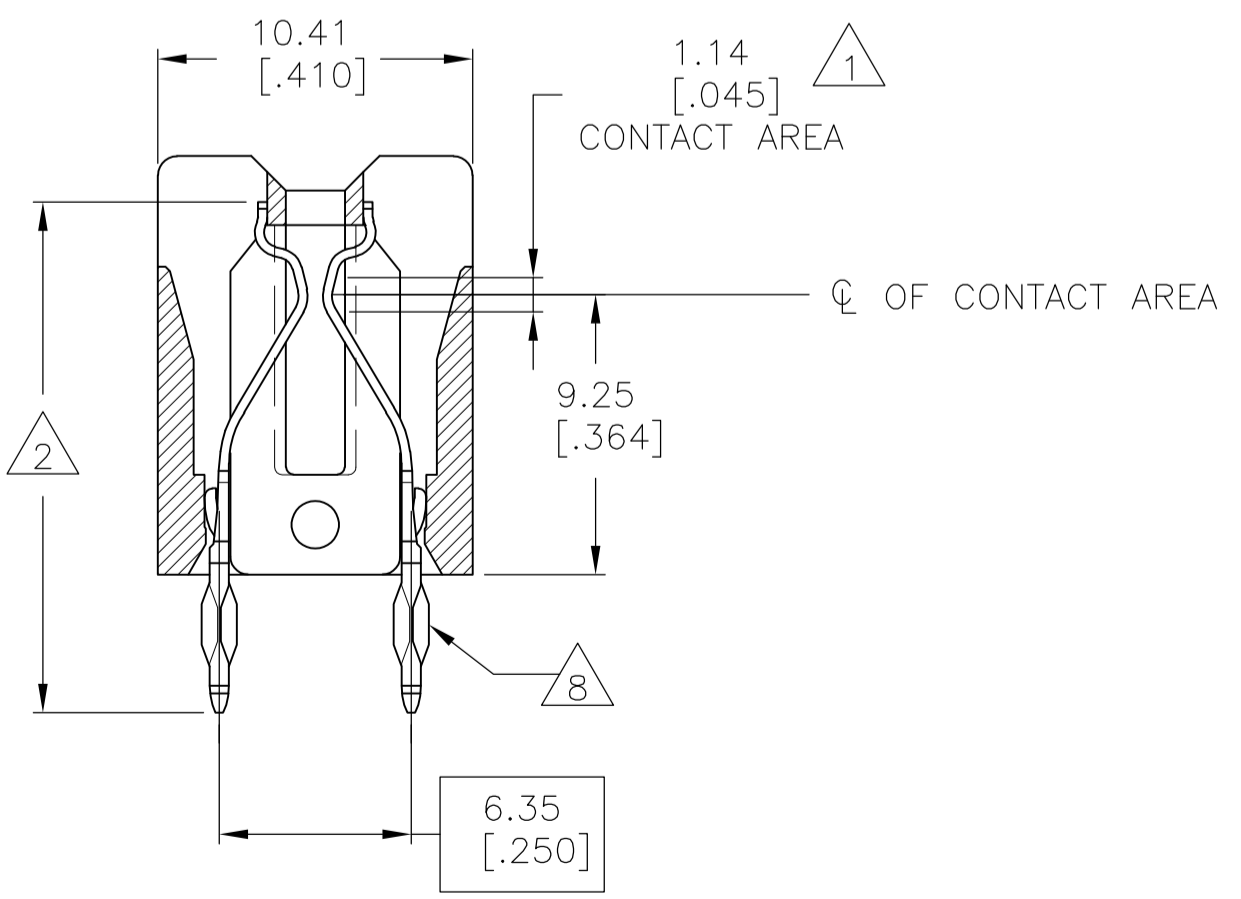
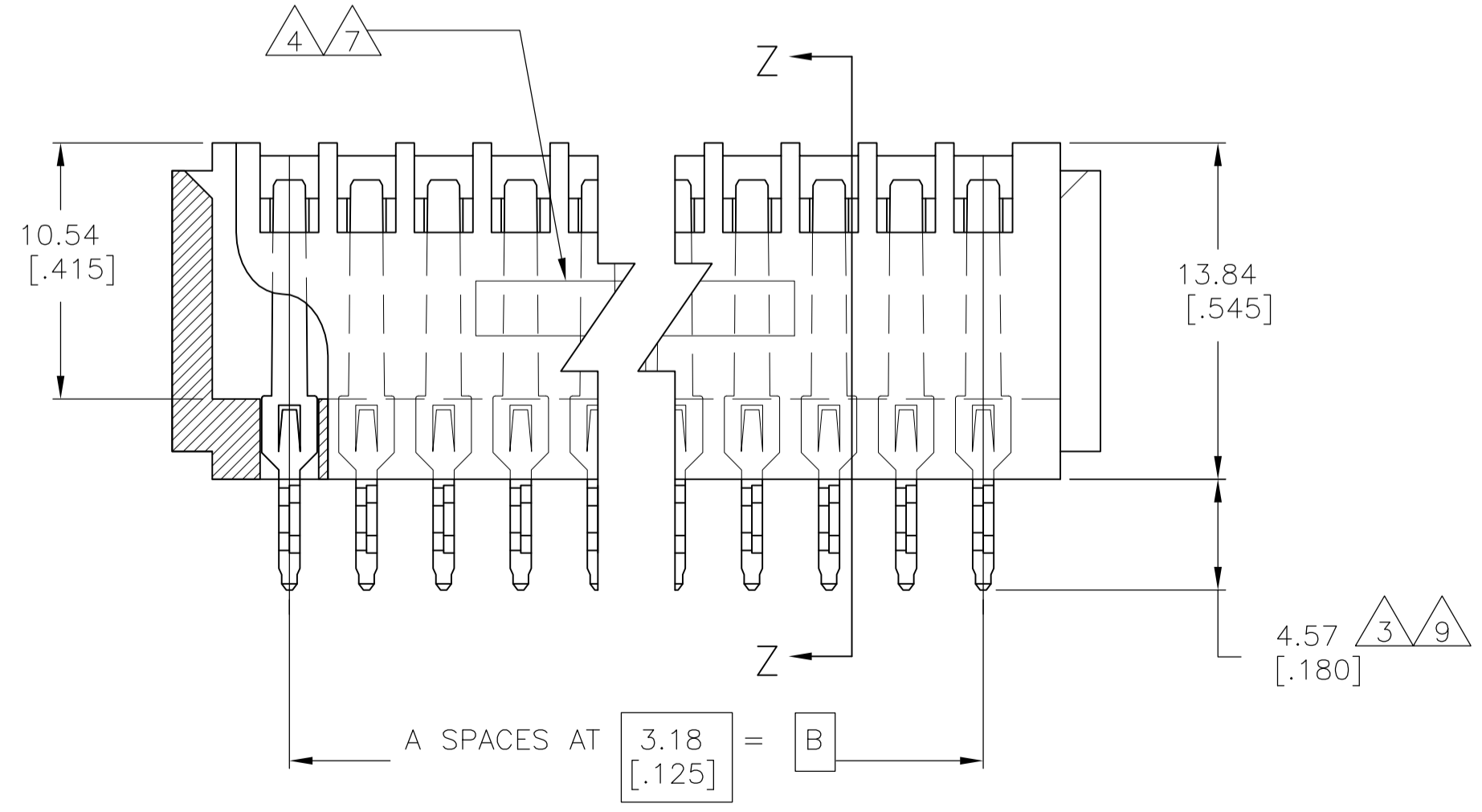
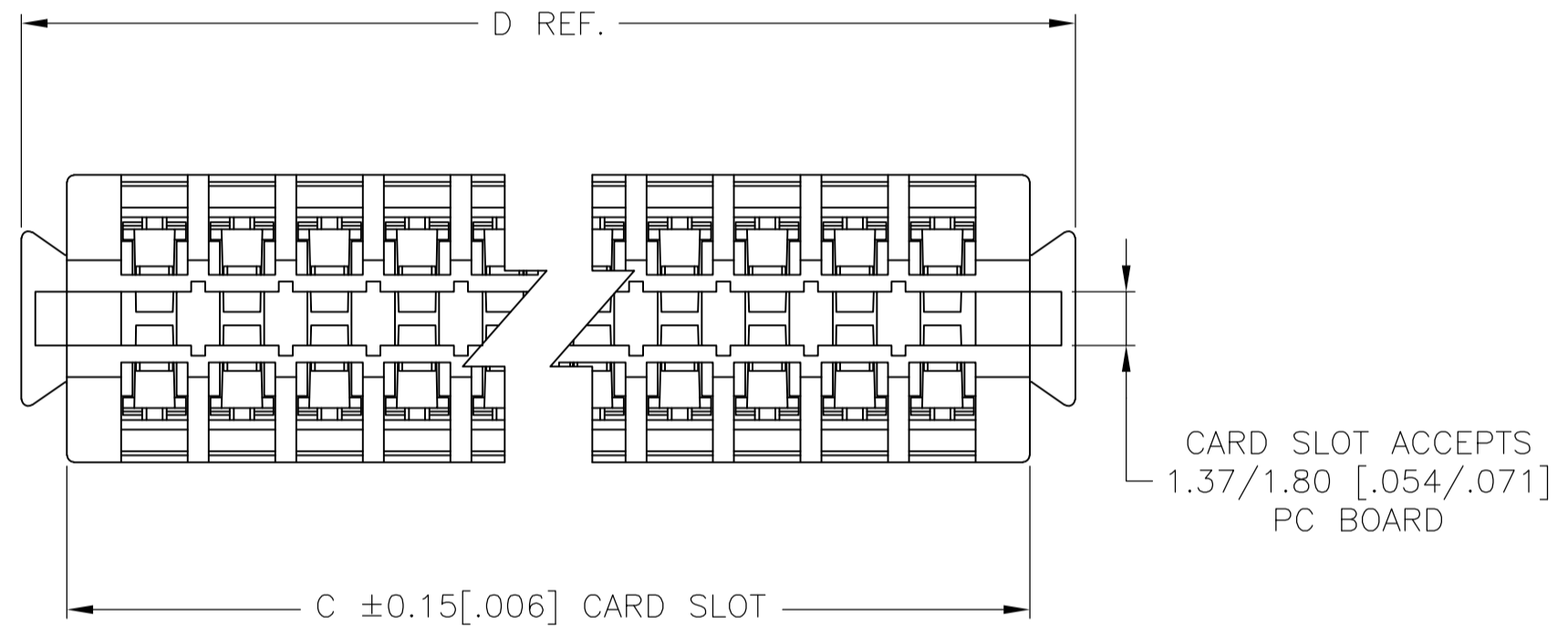


REVISIONS				
P	LTR	DESCRIPTION	DATE	APPV
W	REVISED PER	ECO-15-015185	09NOV2016	SY SY

- 1 GOLD PLATE .00076 [.00030] MIN. THICK.
- 2 NICKEL PL. .00127 [.00050] MIN. THK. PER QQ-N-290
- 3 SOLDER PL .00254 [.000100] MIN. THK.
- 4 STAMPED P/N & DATE CODE.
- 5 OPTIONAL: KEYING PLUG FOR INTERCONTACT KEYING IS 118982-1
- 6 OPTIONAL: CARD GUIDE (BASE NO 117169)
- 7 ALL PARTS ASSEMBLED IN MEXICO MUST BE STAMPED "ASSY IN MEXICO" THE WORD "MEXICO" CAN BE SUBSTITUTED ONLY WHERE PART SIZE PROHIBITS STAMPING "ASSY IN MEXICO", INK PER 115-9009, APPROX. WHERE SHOWN. SIDE OPTIONAL.
- 8 ACTION PIN REQUIRES 2.13 [.084] MIN. THK. PC BOARD.

REQ'D DRILL SIZE	HOLE DIA ±.03 [.001]	PLATING THICKNESS		HOLE DIAMETER		COPPER HARDNESS (KNOOP)	PAD DIA MIN
		COPPER	TIN/LEAD	AFTER PLATING	AFTER REFLOW		
1.15mm	1.15 [.0453]	0.03-0.08 [.001-.003]	0.008 MIN [.0003] MIN	0.94-1.09 [.037-.043]	0.914-1.09 [.0036-.043]	150 MAX	1.57 [.062]
1.15mm	1.15 [.0453]	NOT PLATED THRU					1.65 [.065]

- 9 MATTE TIN PL .00254 [.000100] MIN. THK.
- 10 OBSOLETE PARTS: OBSOLETE CIS STREAMLINING PER D.RENAUD/D.SINISI



	D	C	B	A	POSN	PART NO.
10	196.98 [7.755]	193.68 [7.625]	187.33 [7.375]	59	60	9-119822-6
	165.23 [6.505]	161.93 [6.375]	155.58 [6.125]	49	50	8-119822-6
	133.48 [5.255]	130.18 [5.125]	123.83 [4.875]	39	40	7-119822-6
	127.13 [5.005]	123.83 [4.875]	117.48 [4.625]	37	38	7-119822-4
	120.78 [4.755]	117.48 [4.625]	111.13 [4.375]	35	36	7-119822-2
	101.73 [4.005]	98.43 [3.875]	92.09 [3.625]	29	30	6-119822-6
	95.38 [3.755]	92.08 [3.625]	85.73 [3.375]	27	28	6-119822-4
	85.85 [3.380]	82.55 [3.250]	76.20 [3.000]	24	25	6-119822-1
	76.33 [3.005]	73.03 [2.875]	66.68 [2.625]	21	22	5-119822-8
	63.63 [2.505]	60.33 [2.375]	53.98 [2.125]	17	18	5-119822-4
	196.98 [7.755]	193.68 [7.625]	187.33 [7.375]	59	60	4-119822-6
	-	-	-	-	-	4-119822-5
	-	-	-	-	-	4-119822-4
	-	-	-	-	-	4-119822-3
	184.27 [7.255]	180.97 [7.125]	174.62 [6.875]	55	56	4-119822-2
	-	-	-	-	-	4-119822-1
	-	-	-	-	-	4-119822-0
	-	-	-	-	-	3-119822-9
	-	-	-	-	-	3-119822-8
	-	-	-	-	-	3-119822-7
	165.23 [6.505]	161.93 [6.375]	155.58 [6.125]	49	50	3-119822-6
	-	-	-	-	-	3-119822-5
	-	-	-	-	-	3-119822-4
	-	-	-	-	-	3-119822-3
	-	-	-	-	-	3-119822-2
	-	-	-	-	-	3-119822-1
	-	-	-	-	-	3-119822-0
	146.18 [5.755]	142.88 [5.625]	136.53 [5.375]	43	44	3-119822-0
	143.00 [5.630]	139.70 [5.500]	133.35 [5.250]	42	43	2-119822-9
	-	-	-	-	-	2-119822-8
	-	-	-	-	-	2-119822-7
	133.48 [5.255]	130.18 [5.125]	123.83 [4.875]	39	40	2-119822-6
	-	-	-	-	-	2-119822-5
	-	-	-	-	-	2-119822-4
	-	-	-	-	-	2-119822-3
	120.78 [4.755]	117.48 [4.625]	111.13 [4.375]	35	36	2-119822-2
	117.60 [4.630]	114.30 [4.500]	107.95 [4.250]	34	35	2-119822-1
	-	-	-	-	-	2-119822-0
	-	-	-	-	-	1-119822-9
	108.08 [4.255]	104.78 [4.125]	98.43 [3.875]	31	32	1-119822-8
	104.90 [4.130]	101.60 [4.000]	95.25 [3.750]	30	31	1-119822-7
	101.73 [4.005]	98.43 [3.875]	92.09 [3.625]	29	30	1-119822-6
	-	-	-	-	-	1-119822-5
	95.38 [3.755]	92.08 [3.625]	85.73 [3.375]	27	28	1-119822-4
	-	-	-	-	-	1-119822-3
	-	-	-	-	-	1-119822-2
	85.85 [3.380]	82.55 [3.250]	76.20 [3.000]	24	25	1-119822-1
	-	-	-	-	-	1-119822-0
	76.33 [3.005]	73.03 [2.875]	66.68 [2.625]	21	22	119822-9
	-	-	-	-	-	119822-8
	69.98 [2.755]	66.68 [2.625]	60.33 [2.375]	19	20	119822-6
	-	-	-	-	-	119822-5
	63.63 [2.505]	60.33 [2.375]	53.98 [2.125]	17	18	119822-4
	-	-	-	-	-	119822-3
	-	-	-	-	-	119822-2
	54.10 [2.130]	50.80 [2.000]	44.50 [1.750]	14	15	119822-1

THIS DRAWING IS A CONTROLLED DOCUMENT. **STE** TE Connectivity

APPROVED: H. ROSE 7/8/94

NAME: CONNECTOR, AMP PACE .125 X .125

APPLICATION SPEC: -

SIZE: A1 CAGE CODE: 00779 DRAWING NO: 119822

WEIGHT: 0.000000

CUSTOMER DRAWING SCALE: 4:1 SHEET 1 OF 1 REV W