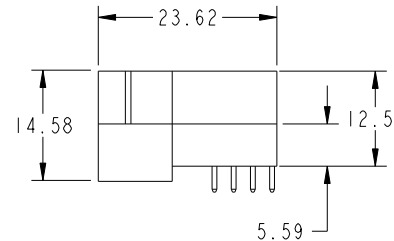
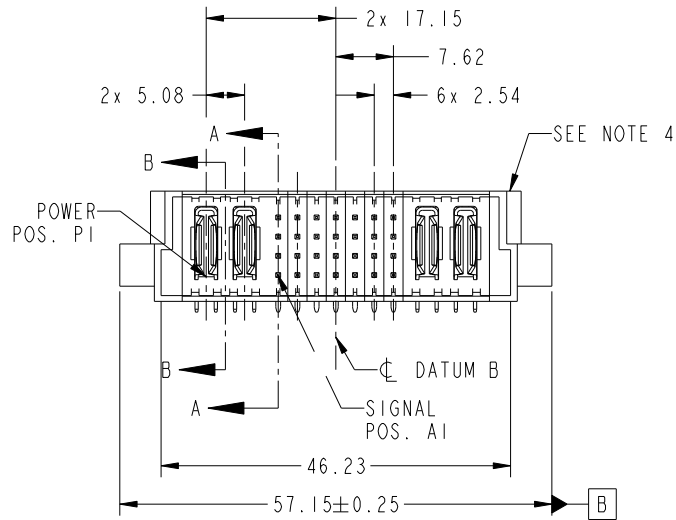
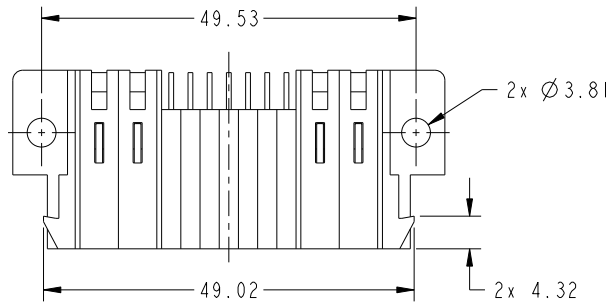


PRODUCT NO.	ROWS	POWER		SIGNAL							POWER		
		E1	P1	P2	1	2	3	4	5	6	7	P3	P4
51939-937-- NOTE 3	D C B A		PA	PA	UUUUUUUU	TTTTTTTT	SSSSSSSS	RRRRRRRR			PA	PA	

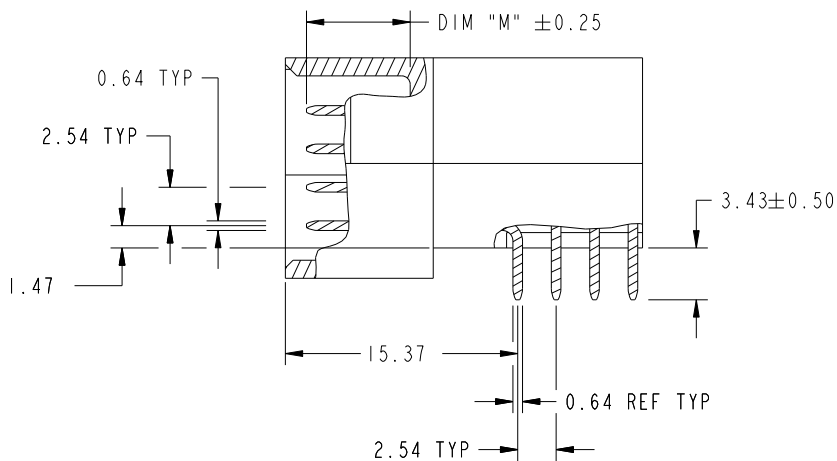


CODE	DIM "M" MATING LENGTH	CONTACT TYPE
U	[6.86]	SIGNAL
T	[6.86]	SIGNAL
S	[6.86]	SIGNAL
R	[6.86]	SIGNAL
PA	[N/A]	POWER

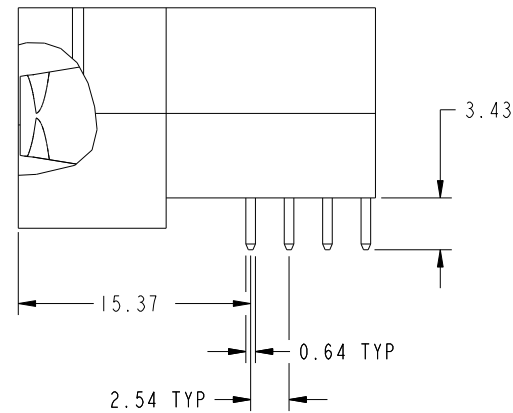
spec ref	*	dr	Ruan MT	2014/11/24	projection	MM	size	A4	scale	1:1	
tolerance std	ASME Y14.5	eng	De-Ming Lu	2014/12/17		←→	ecn no	-	rel level		Released
TOLERANCES UNLESS OTHERWISE SPECIFIED		chr	-	-			product family	PwrBlade			
surface	linear	appr	Pei-Ming Zheng	2014/12/17	title		51939-937		rev		
ASME Y14.5	0.X	±0.5			2DCP + 28S + 2DCP		cat. no.	Product - Customer Drw		sheet 1 of 4	
	0.XX	±0.25			RIGHT ANGLE SOLDER HEADER			www.fci.com	-		Product - Customer Drw
0.XXX	±0.1				A						
	angular	0°	±2°								

PRODUCT NUMBER

51939-937--
NOTE: 3



BROKEN-OUT SECTION A-A
SCALE 2:1



BROKEN-OUT SECTION B-B
SCALE 2:1

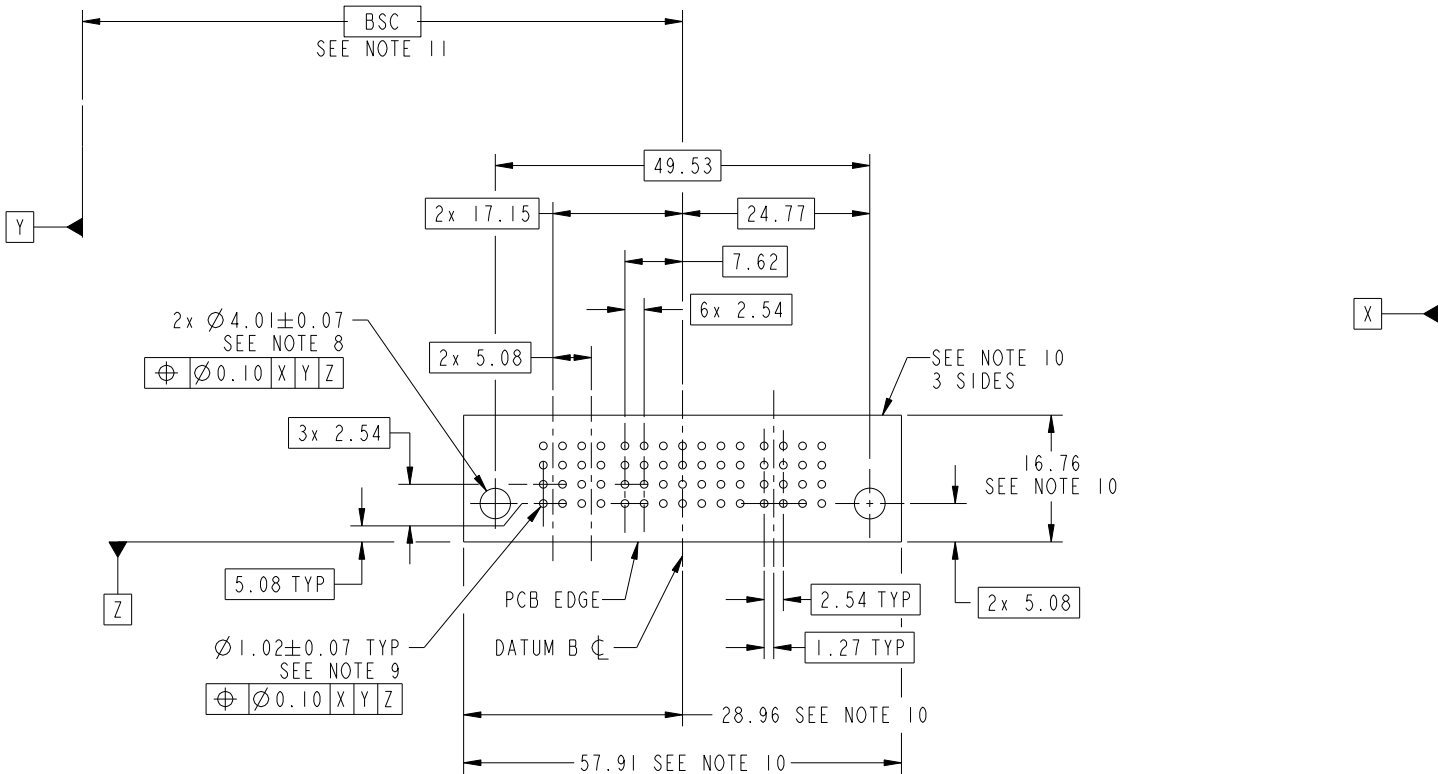
dr	Ruan MT	2014/11/24	projection 	MM ←————→	size	A4	scale	1:1	
eng	De-Ming Lu	2014/12/17			ecn no	-			
chr	-	-							
appr	Pei-Ming Zheng	2014/12/17	product family	PwrBlade	rel level	Released			
	title	2DCP + 28S + 2DCP RIGHT ANGLE SOLDER HEADER			dwg no	51939-937		rev	A
www.fci.com	cat. no.	-	Product - Customer Drw			sheet 2 of 4			



Copyright FCI.

PRODUCT NUMBER

51939-937--
NOTE: 3



RECOMMENDED PCB LAYOUT

dr	Ruan MT	2014/11/24	projection 	MM ←→	size	A4	scale	1:1
eng	De-Ming Lu	2014/12/17			ecn no	-		
chr	-	-			rel level	Released		
appr	Pei-Ming Zheng	2014/12/17	product family	PwrBlade	rel level	Released		
	title	2DCP + 28S + 2DCP RIGHT ANGLE SOLDER HEADER		dwg no	51939-937		rev	A
www.fci.com	cat. no.	-	Product - Customer Drw		sheet 3 of 4			

PRODUCT NUMBER

51939-937--
NOTE: 3

NOTES:

1. DIMENSIONS AND TOLERANCES ARE IN ACCORDANCE WITH ASME Y14.5M, 1994 UNLESS OTHERWISE SPECIFIED.

CONNECTOR NOTES:

- 2. HOUSING MATERIAL: UL 94 V-0 GLASS FILLED HIGH-TEMP THERMOPLASTIC
POWER CONTACT MATERIAL: COPPER ALLOY
SIGNAL PIN MATERIAL: COPPER ALLOY
- 3. SEE ITEM 1 & 2 IN PRINT 10064183 FOR PLATING SPEC OF 51939-937 AND 51939-937LF RESPECTIVELY.
- 4. MANUFACTURER'S NAME, DATE CODE AND OPTIONAL P/N TO APPEAR ON THIS SURFACE. THE MARK CAN BE OMITTED IF THERE IS NOT ENOUGH SPACE ON THIS SURFACE.
- 5. PRODUCT SPECIFICATION GS-12-149.
APPLICATION SPECIFICATION BUS-20-067.
- 6. PACKAGED IN TRAYS.

PCB NOTES:

- 7. ALL HOLE DIAMETERS ARE FINISHED HOLE SIZE.
- 8. MOUNTING HOLES, WHERE APPLICABLE, ARE UNPLATED.
- 9. $\varnothing 1.151 \pm 0.025$ DRILLED HOLES PLATED WITH
0.008 MIN SnPb OR Sn OVER 0.03
TO 0.08 Cu PLATING TO ACHIEVE
 $\varnothing 1.02 \pm 0.07$ HOLE.
- 10. CONNECTOR KEEP-OUT ZONE.
- 11. DATUM AND BASIC DIMENIONS ARE ESTABLISHED BY CUSTOMER.



Copyright FCI.

dr	Ruan MT	2014/11/24	projection 	MM 	size	A4	scale	1:1
eng	De-Ming Lu	2014/12/17			ecn no	-		
chr	-	-						
appr	Pei-Ming Zheng	2014/12/17	product family	PwrBlade	rel level	Released		
	title	2DCP + 28S + 2DCP RIGHT ANGLE SOLDER HEADER		dwg no	51939-937		rev	A
www.fci.com	cat. no.	-	Product - Customer Drw			sheet 4 of 4		