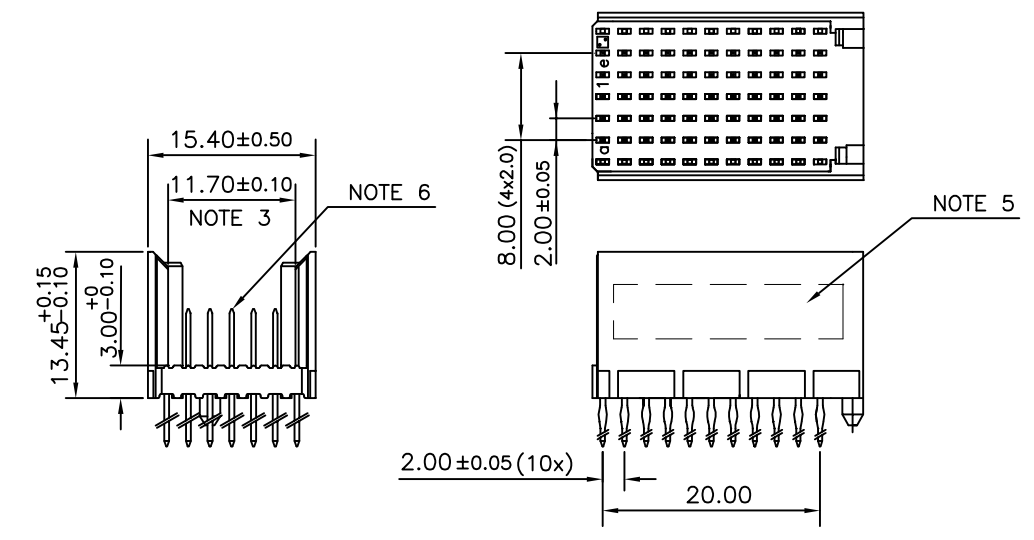


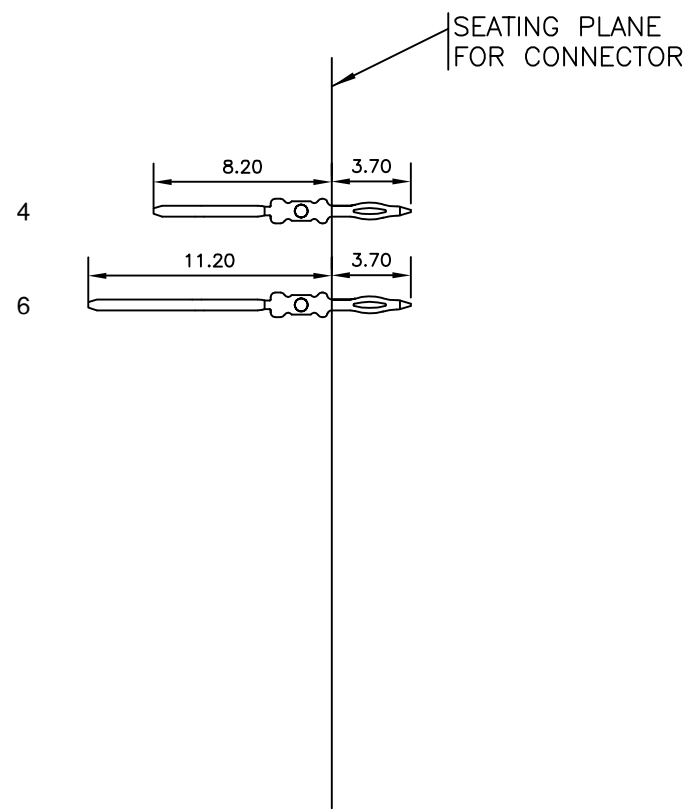
LOADING PATTERN MATING SIDE

f	0	0	0	0	0	0	0	0	0	0
e	4	4	4	4	4	4	6	4	4	4
d	4	4	4	4	4	4	6	4	4	4
c	4	4	4	4	4	4	6	4	4	4
b	4	4	4	4	4	4	6	4	4	4
a	6	6	6	6	6	4	6	4	4	4
z	0	0	0	0	0	0	0	0	0	0
POS	01					05				10

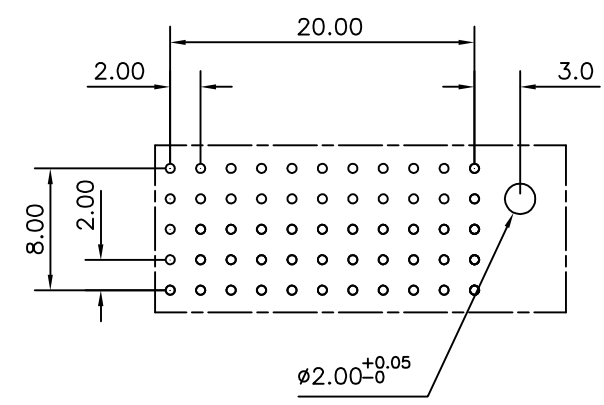
LOADED CONNECTOR ASSEMBLY (FOR EXAMPLE)



CONTACT OVERVIEW



LAY-OUT P.C.B.-HOLE



HM2P09PDK3H0 LEAD FREE INDICATOR : LF = LEAD FREE (DIGIT 15 & 16)
PLATING CODE (DIGIT 13 AND 14)
(REF DRW NO. BS,C , 201844 , 003)

- NOTES**
- THIS PRODUCT IS CSA APPROVED.
 - THIS PRODUCT IS UL RECOGNIZED.
 - MEASURED AT THE BOTTOM.
 - MATERIAL CONTACT: PHOSPHORBRONZE
HOUSING: CREAM WHITE GLASS FILLED POLYESTER UL-94V0
 - CONNECTOR PRINTED WITH P/N AND DATE CODE.
 - FOR ACTUAL CONTACT LOADINGS, SEE LOADING PATTERN MATING SIDE.
 - SHAPE OF CONNECTOR HOUSING CAN ALTER DEPENDING ON PRODUCTION LOCATION
 - THIS PRODUCT (LF) MEETS EUROPEAN UNION DIRECTIVES AND OTHER COUNTRY REGULATIONS AS DESCRIBED IN GS-22-008
 - FOR RECOMMENDED PTH DIMENSIONS REFER DRAWING : BS, A , 201572 , 001
- CATALOG NO: HM2P09PDK3H0----

mat'l. code SEE NOTE 4		surface ISO 1302 ✓	tolerance ISO 406 ISO 1101	projection 	product family MILLIPACS
ltr A	ecn no 108-0004	dr MINI	date 2008-01-12	tolerances unless otherwise specified angles linear 0°±1°	title MPACS 5+2R STR HDR PF CONN TYPE C
sheet index		revision sheet A 1	dr MINI K VANDANATH	engr ALEX BABU	scale MM
			chr ALEX BABU	appd BIJU K PAUL	dwg no BS, C ,203028, 795
					sheet 1 of 1 A3
					type Product Customer Drawing

Copyright FCI
 FCconnect.com
 FCI