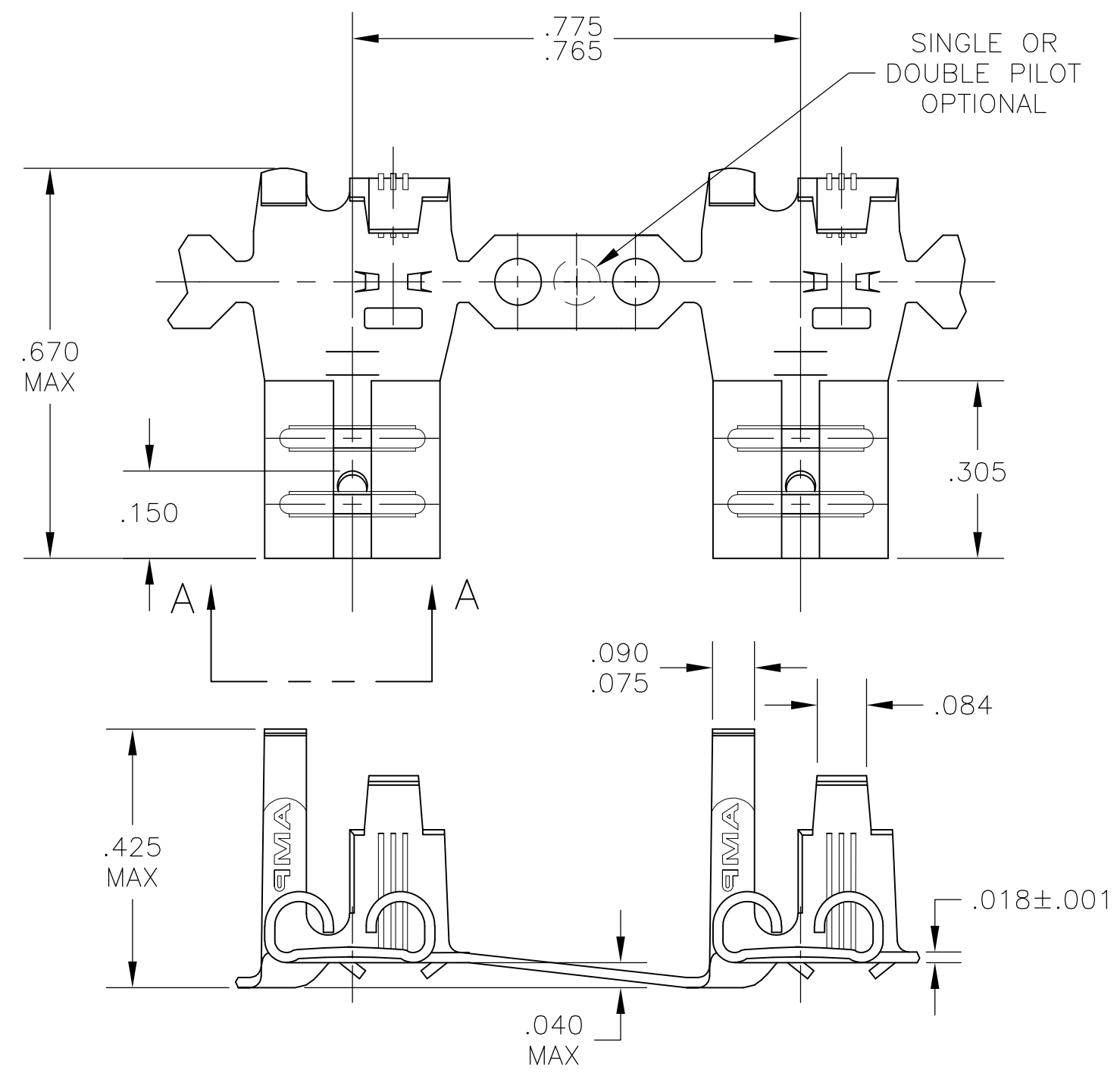


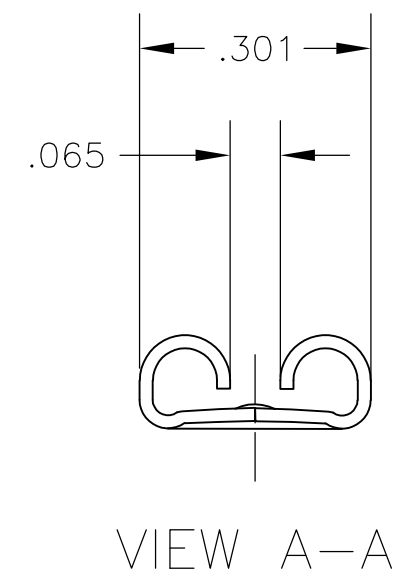
THIS DRAWING IS UNPUBLISHED. RELEASED FOR PUBLICATION
 © COPYRIGHT - By - ALL RIGHTS RESERVED.

LOC	DIST	REVISIONS			
P	LTR	DESCRIPTION	DATE	DWN	APVD
AF	50	AB	REVISED PER ECR-12-013445	18OCT12	KH PD



SINGLE OR
DOUBLE PILOT
OPTIONAL

- 1 CONTINUOUS STRIP ON REELS
- 2 MATING TAB THK IS .032±.001.
- 3 WIRE SIZE IS #18-#12 AWG
- 4 INSULATION RANGE IS .110-.210 DIA.



41532
PART NO.

THIS DRAWING IS A CONTROLLED DOCUMENT.		DWN	JR RUTH	18OCT02	TE Connectivity NAME RECEPTACLE, FLAG, FASTON, .250 SERIES							
DIMENSIONS: INCHES		CHK	P DESANTIS	18OCT02								
		APVD	P DESANTIS	18OCT02								
TOLERANCES UNLESS OTHERWISE SPECIFIED: 0 PLC ± - 1 PLC ± - 2 PLC ± - 3 PLC ± .015 4 PLC ± - ANGLES ± -		PRODUCT SPEC	-									
MATERIAL BRASS		FINISH	TIN		APPLICATION SPEC	-						
		WEIGHT	-		SIZE	A3	CAGE CODE	00779	DRAWING NO	C-41532	RESTRICTED TO	-
CUSTOMER DRAWING					SCALE	4:1	SHEET	1 OF 1	REV	AB		