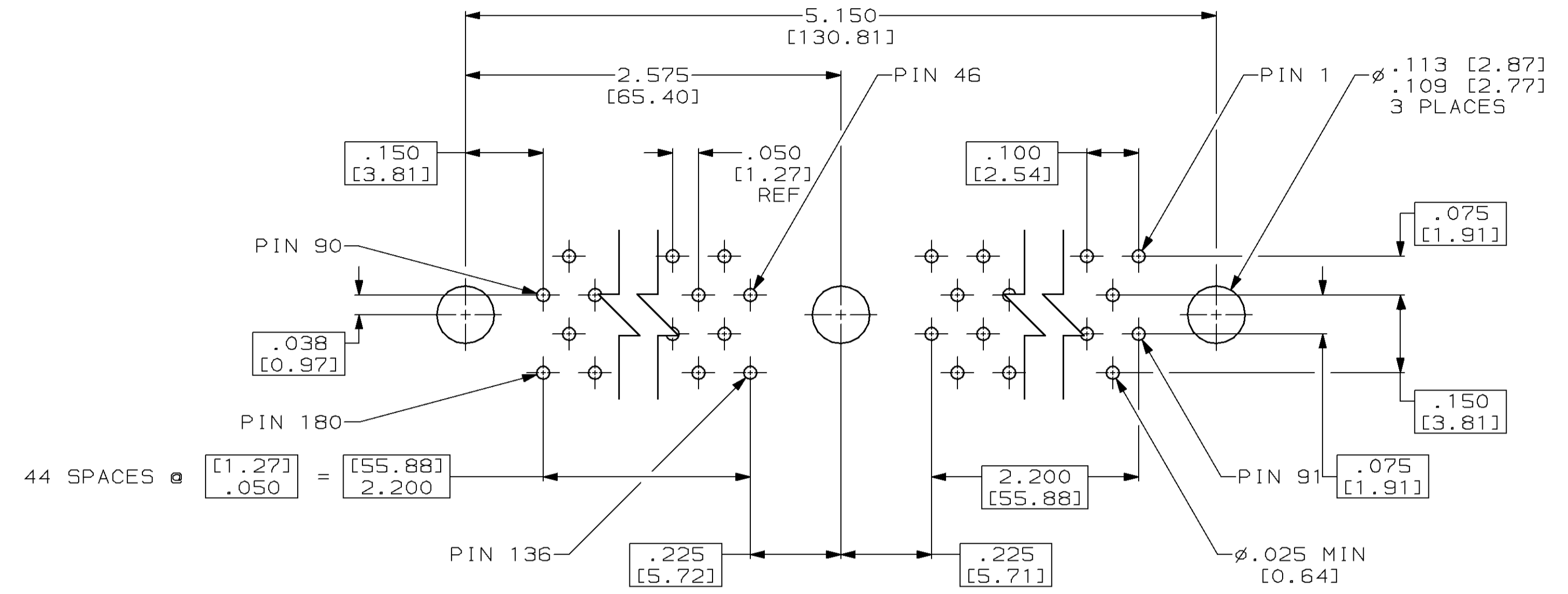
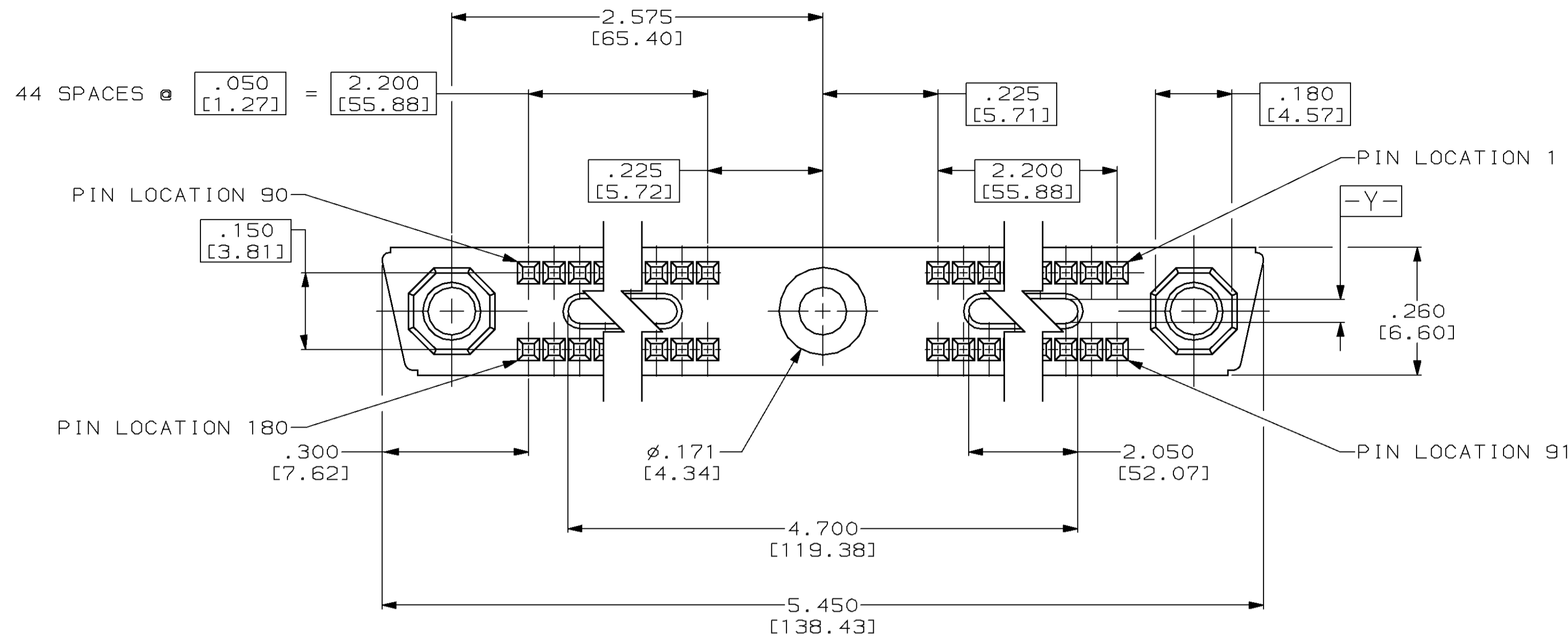
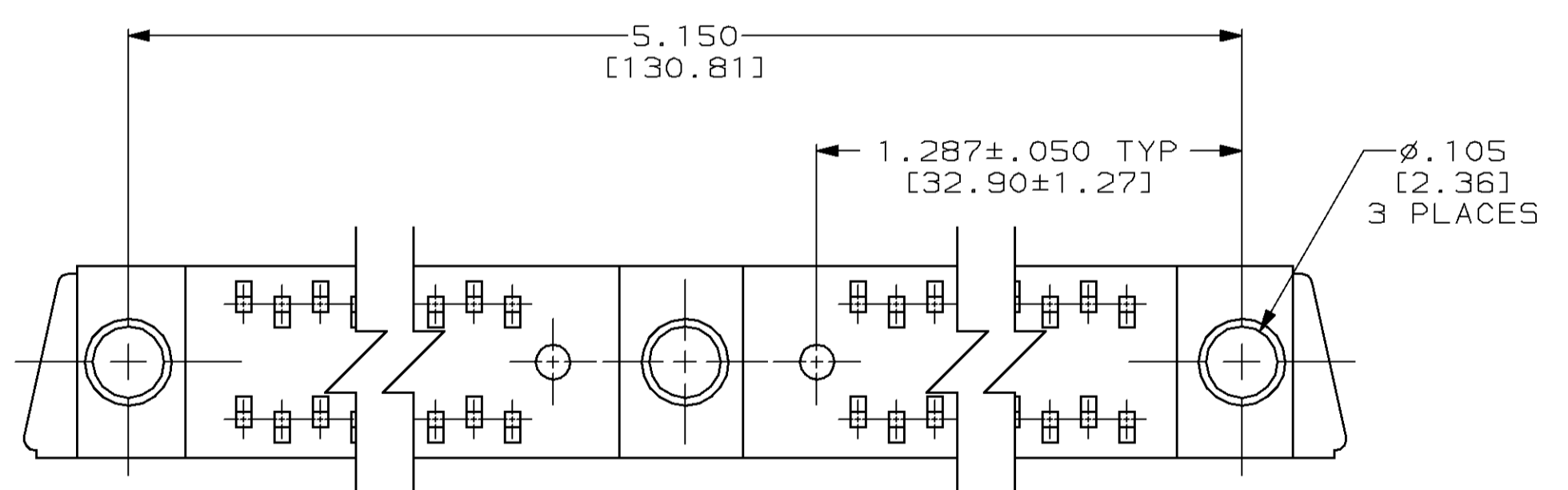
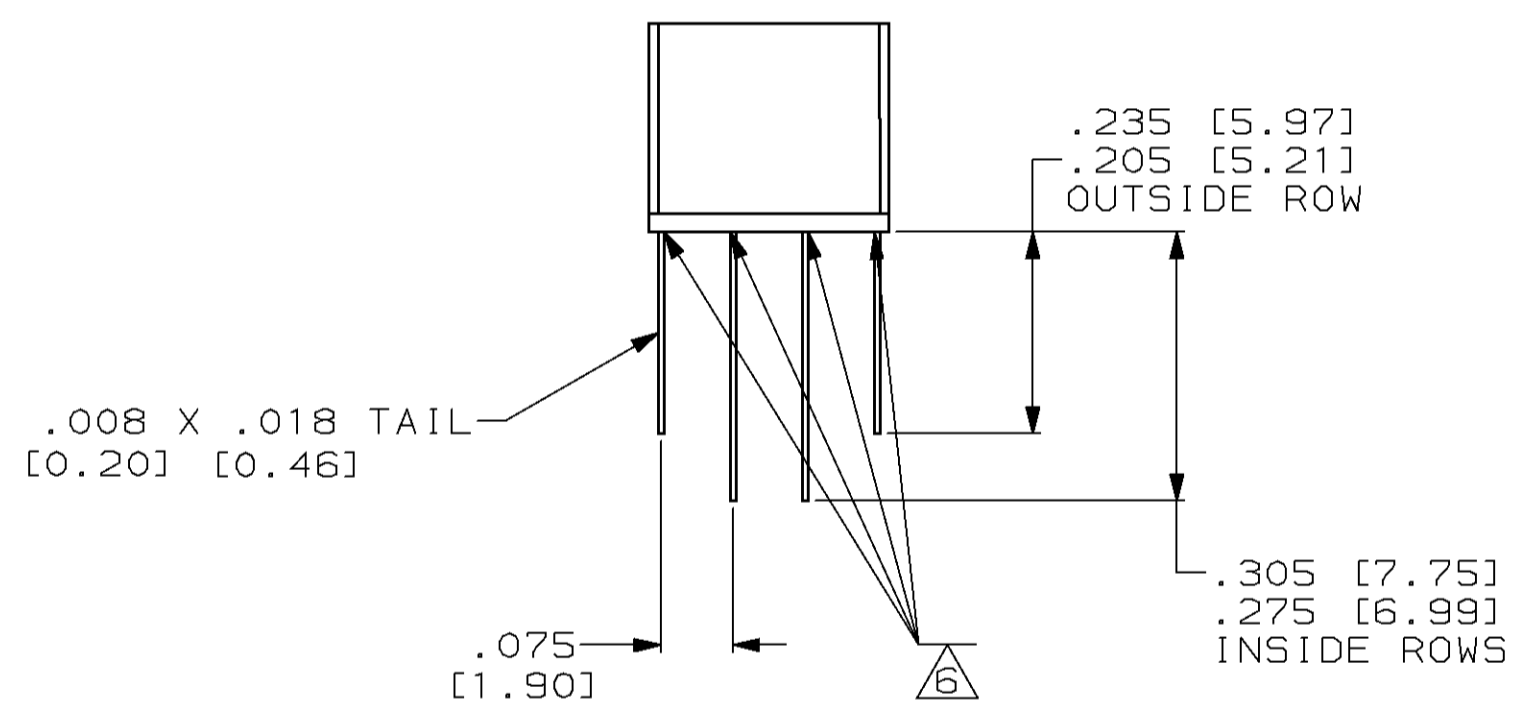
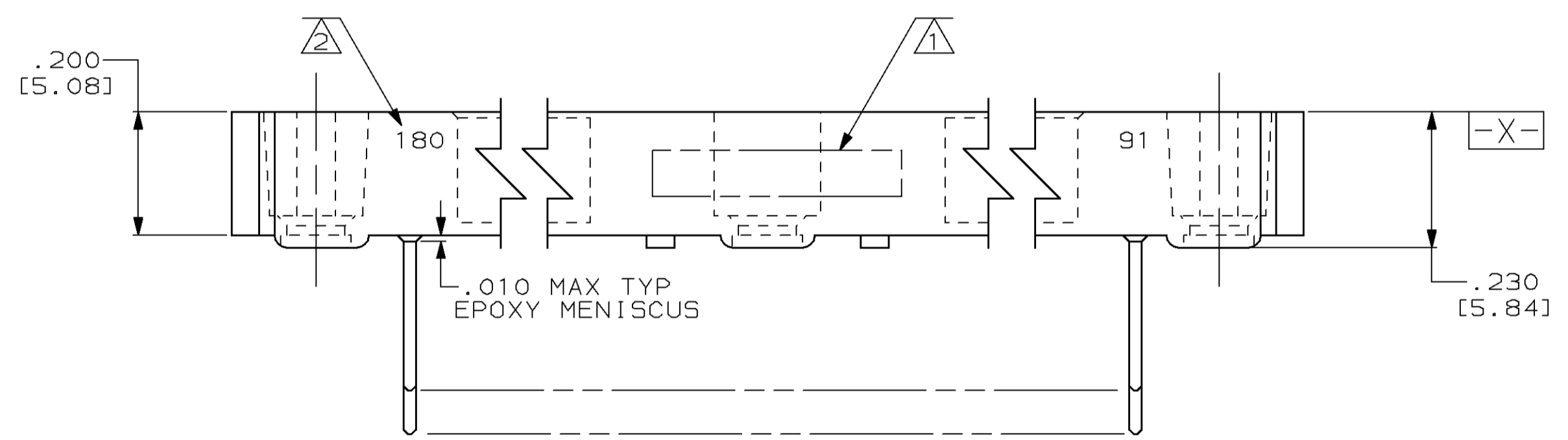


PROD		LOC	Q1ST	REV		REVISIONS				
CODE	DF	F0	P	F	ZONE	LTR	DESCRIPTION	DATE	APPD	
5087						F	REV PER 0600-5400-96	CT	6-96	DG



RECOMMENDED P. C. BOARD LAYOUT



- ① AMP, AMP PART NO., DATE CODE AND CUSTOMER PART NO. (859779-1) MARKED THIS APPROX. AREA, THIS SIDE.
- ② NUMBERS INDICATING END POSITIONS MARKED THIS SIDE ONLY.
- ③ MEETS ALL APPLICABLE REQUIREMENTS OF MIL-C-55302.
- ④ .000050 GOLD ALL OVER NICKEL UNDERPLATE IN CONTACT AREA, GOLD FLASH OVER NICKEL UNDERPLATE REMAINDER OF CONTACT.
- ⑤ HOUSING MATERIAL: LIQUID CRYSTAL POLYMER PER MIL-M-24519, GLCP-30F; COLOR: GRAY.
- ⑥ EPOXY IS ADDED TO BOTTOM OF HOUSING FOR CONTACT RETENTION.

DO NOT SCALE PRINT. UNLESS SPECIFIED DIMENSIONS IN INCHES [mm]		DR 7-27-89 T. SHUEY		180 & 91 CAVITY IDENT		446447-1 PART NO	
TOLERANCES ON +		CHK 7-29-89 D. STONER		AMP AMP INCORPORATED Harrisburg, Pa. 17105			
2 PLC DEC ±		APPD 7-29-89 D. STONER					
3 PLC DEC ± .010 [0.25]		APPD 7-29-89 G. GRIFFITH		NAME			
ANGLES ±		PRODUCT SPEC		RECEPTACLE ASSEMBLY, EXTENDED MINI BOX, REVERSE CIRCUIT ID, W/LOW FORCE CONTACTS			
FINISH		APPLICATION SPEC		SIZE	CAGE CODE	DRAWING NO	
④		-		D	00779	446447	
WEIGHT		-		SCALE	5:1	SHEET 1 OF 1	