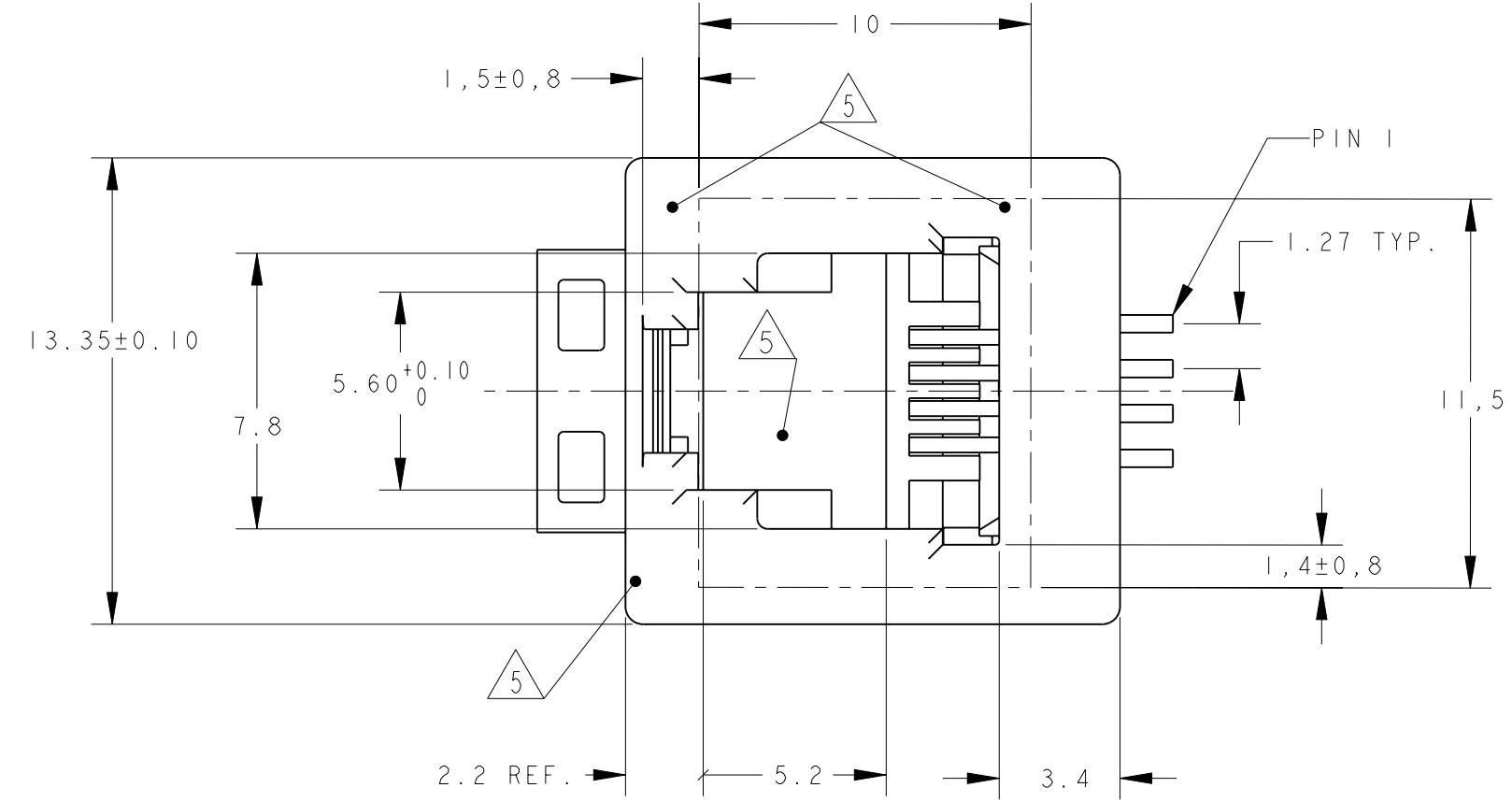
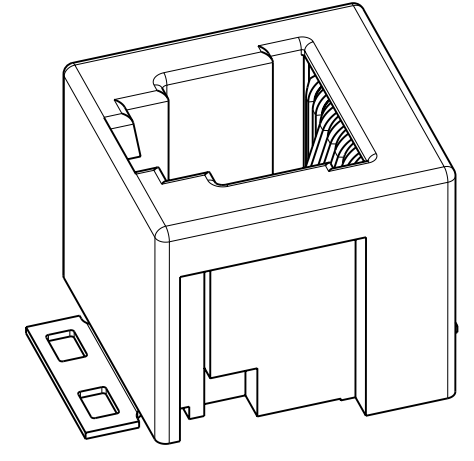


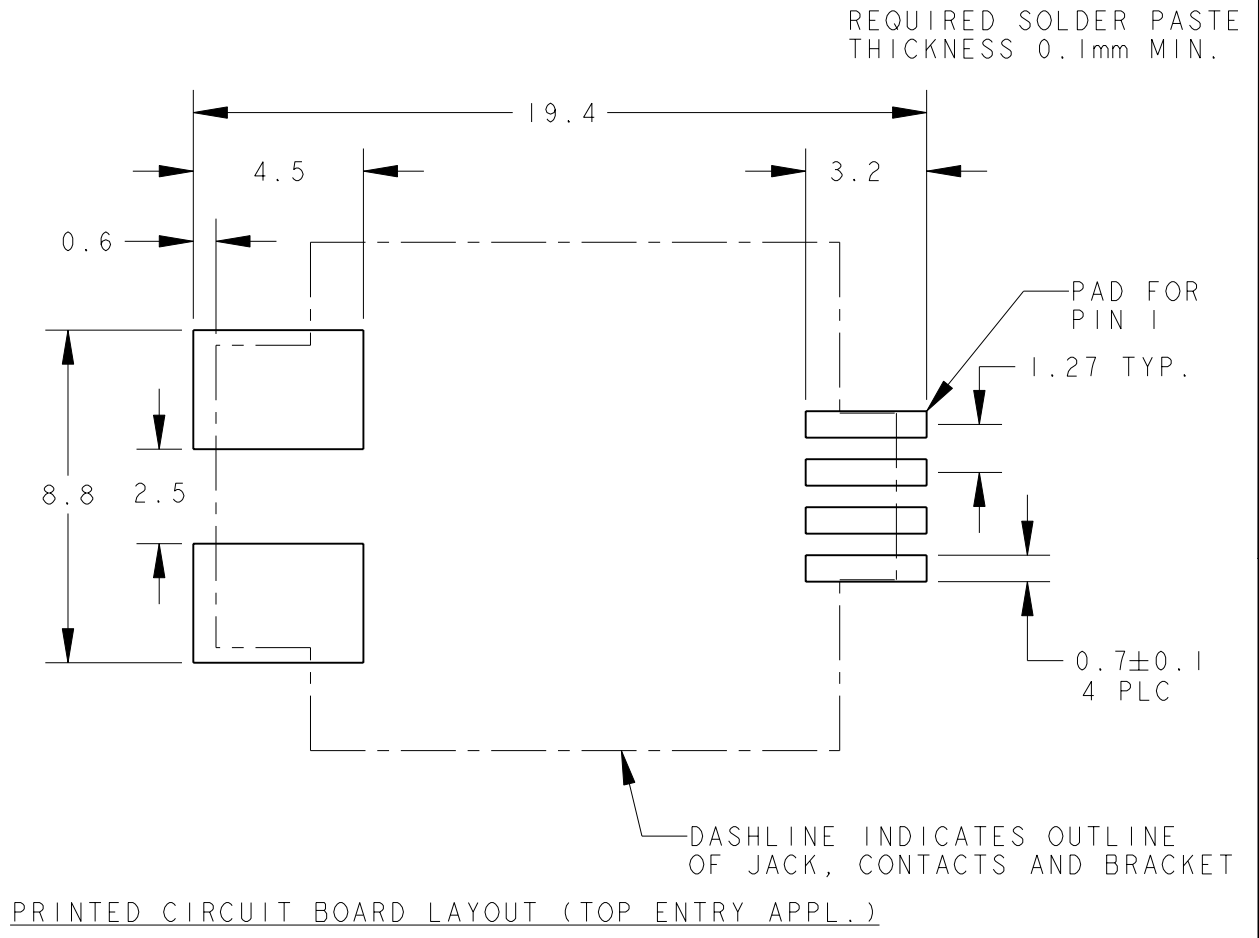
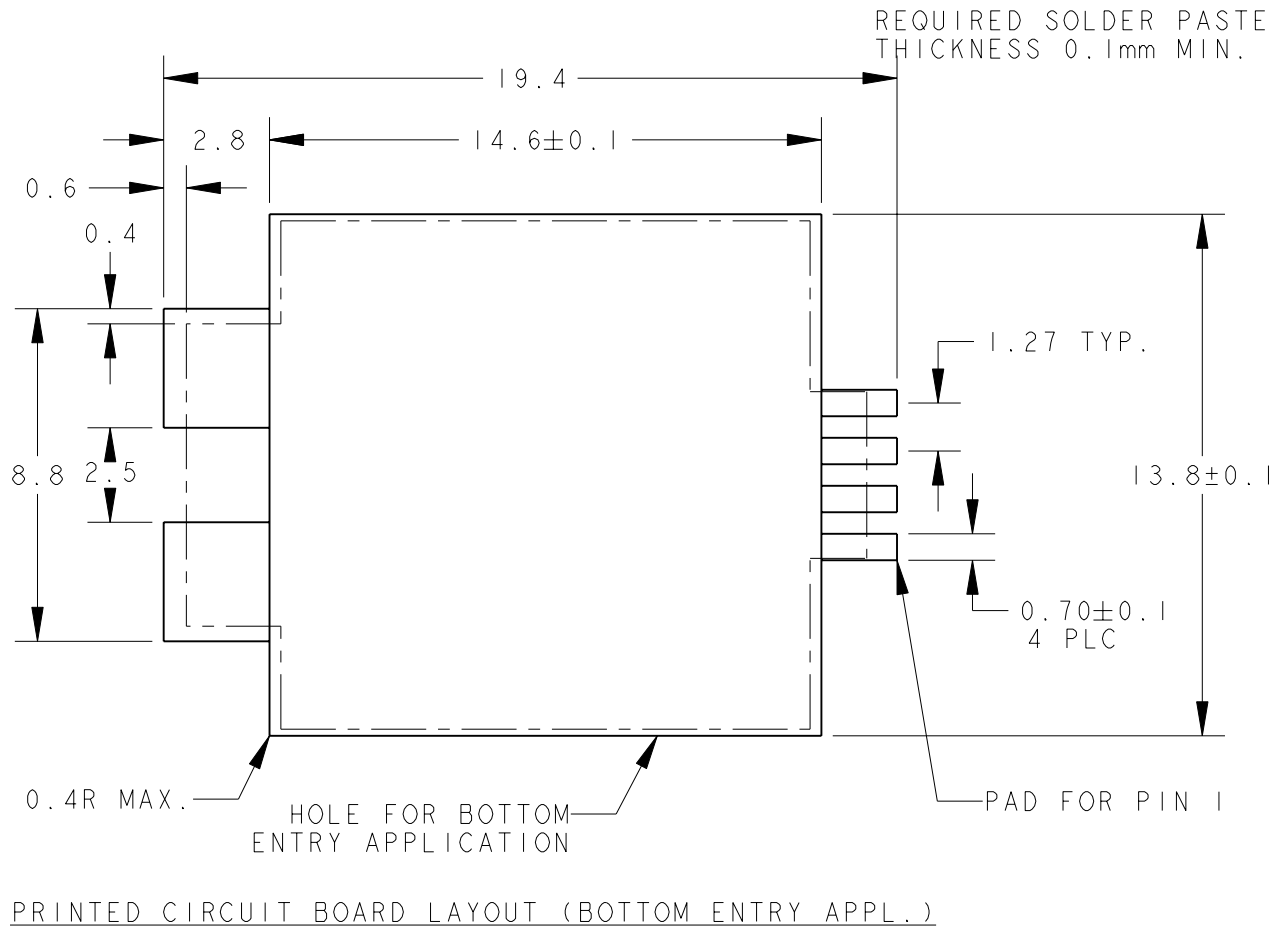
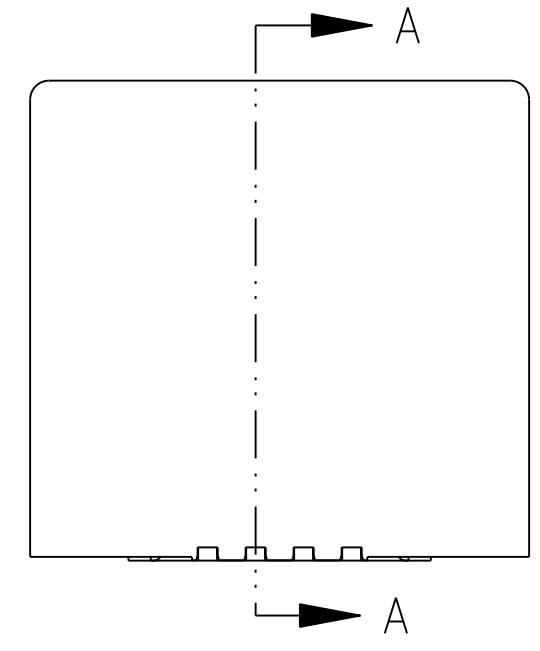
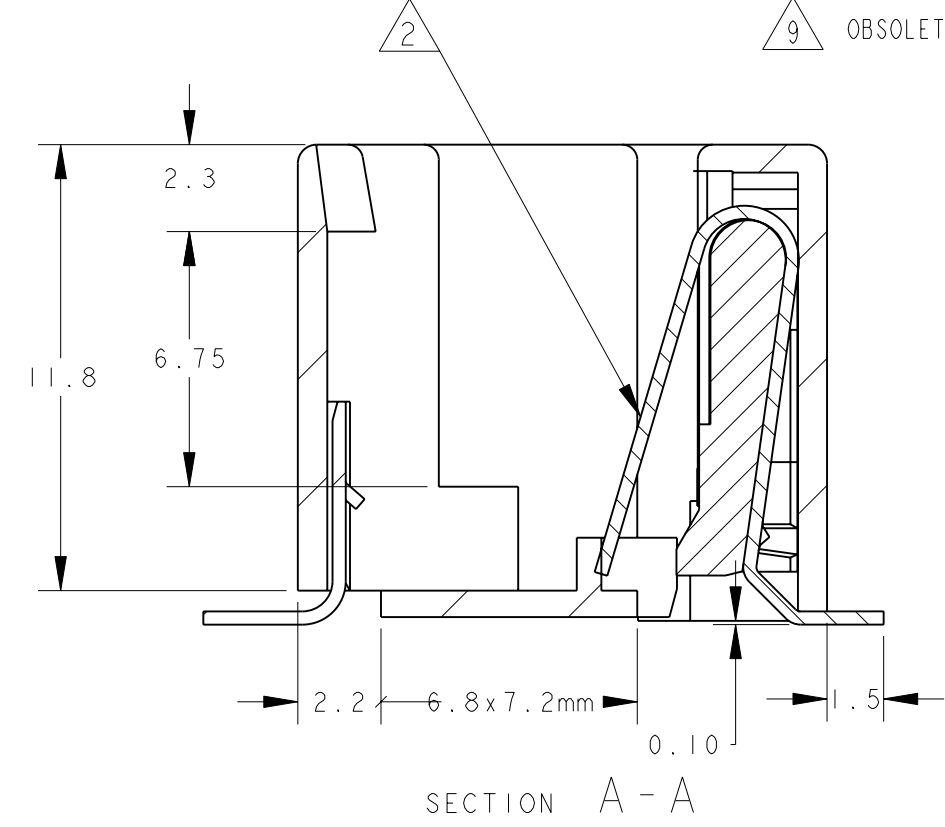
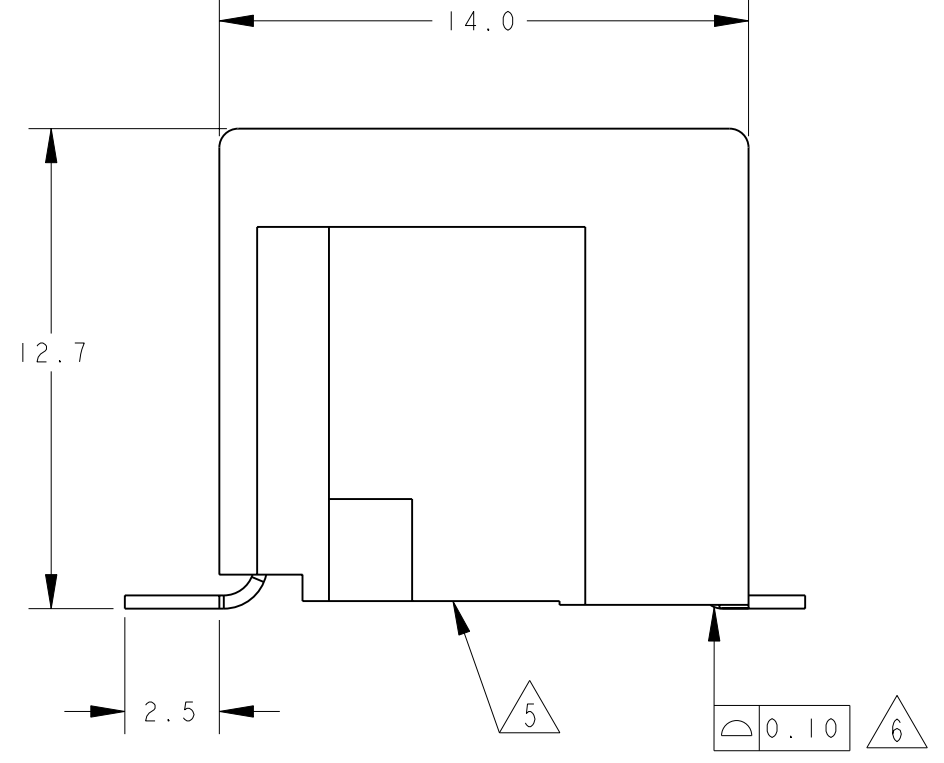
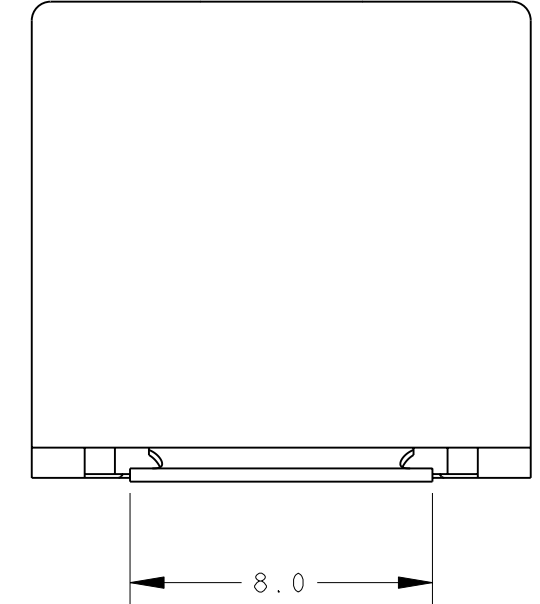
THIS DRAWING IS UNPUBLISHED. RELEASED FOR PUBLICATION 2011  
 © COPYRIGHT 2011 TE CONNECTIVITY ALL RIGHTS RESERVED.

LOC		DIST		REVISIONS			
P	LTR	DESCRIPTION	DATE	DWN	APVD		
IR	-	Y	ECR-10-020218	21JUN2011	PS	PKS	



NOTES:

- 1 TOLERANCES UNLESS OTHERWISE SPECIFIED: ±0.15.
- 2 CONTACT PLATING:  
 OVERALL: Ni 1.27µm MIN. ALL OVER THE CONTACTS  
 SOLDER ZONE: Sn 3.5-5.0µm ON THE SOLDER ZONE OF THE CONTACT  
 MATING ZONE: PLATING CONFIRMS TO PRODUCT REQUIREMENTS AS PER SPECIFICATION 108-19117
- 3 MATERIALS:  
 HOUSING: 30% G.F. PA 9T COLOR BLACK, UL 94V-0.  
 CONTACTS: PHOSPHOR BRONZE  
 SOLDER BRACKET: TIN PLATED BRASS WITH NICKEL UNDERPLATE.
- 4 THIS JACK CAN ALSO BE APPLIED HANGING THROUGH A HOLE, IN A PRINTED CIRCUIT BOARD. SEE LEFT PCB LAYOUT.
- 5 SURFACE CAN BE USED FOR PICKING THE MODULAR JACK WITH, TYPE 11 SMD MACHINE.
- 6 MEASURED AT HEEL OF CONTACTS  
 COPLANARITY AT TIPS OF CONTACTS MAX. 0.18mm
- 7 TAPE AND REEL PACKAGING ACCORDING TO EIA 481-3 SPECIFICATIONS.
- 8 INCLUDES KAPTON TAPE (10x11.5mm) ON TOP SURFACE AS PICK AND PLACE FEATURE.
- 9 OBSOLETE PARTS: OBSOLETE CIS STREAMLINING PER D.RENAUD/D.SINSI



REMARKS	PACKAGING	PART NUMBER
4 POS. / 4 CONT.	750 PCS ON Ø560 mm OD REEL. BOTTOM ENTRY ORIENTATION PER DETAIL B2	2-338084-5
4 POS. / 4 CONT.	750 PCS ON Ø560 mm OD REEL. TOP ENTRY ORIENTATION PER DETAIL B1	2-338084-3
4 POS. / 4 CONT.	300 PCS ON Ø360 mm OD REEL. TOP ENTRY ORIENTATION PER DETAIL B1	8 1-338084-6
4 POS. / 4 CONT.	300 PCS ON Ø360 mm OD REEL. BOTTOM ENTRY ORIENTATION PER DETAIL B2	1-338084-5
4 POS. / 4 CONT.	300 PCS ON Ø360 mm OD REEL. TOP ENTRY ORIENTATION PER DETAIL B1	1-338084-3

THIS DRAWING IS A CONTROLLED DOCUMENT.

DWN: E.v.ELJK 30-Sep-96  
 CHK: E.STELLINGA DEC.'96  
 APVD: R.SMEETS

TE Connectivity

**STE**

INVERTIBLE MODULAR JACK, 4 POSITION HANDSET FOR SURFACE MOUNT APPLICATION

NAME: INVERTIBLE MODULAR JACK, 4 POSITION HANDSET FOR SURFACE MOUNT APPLICATION  
 SIZE: A2  
 CAGE CODE: 0779  
 DRAWING NO: C-338084  
 RESTRICTED TO: -

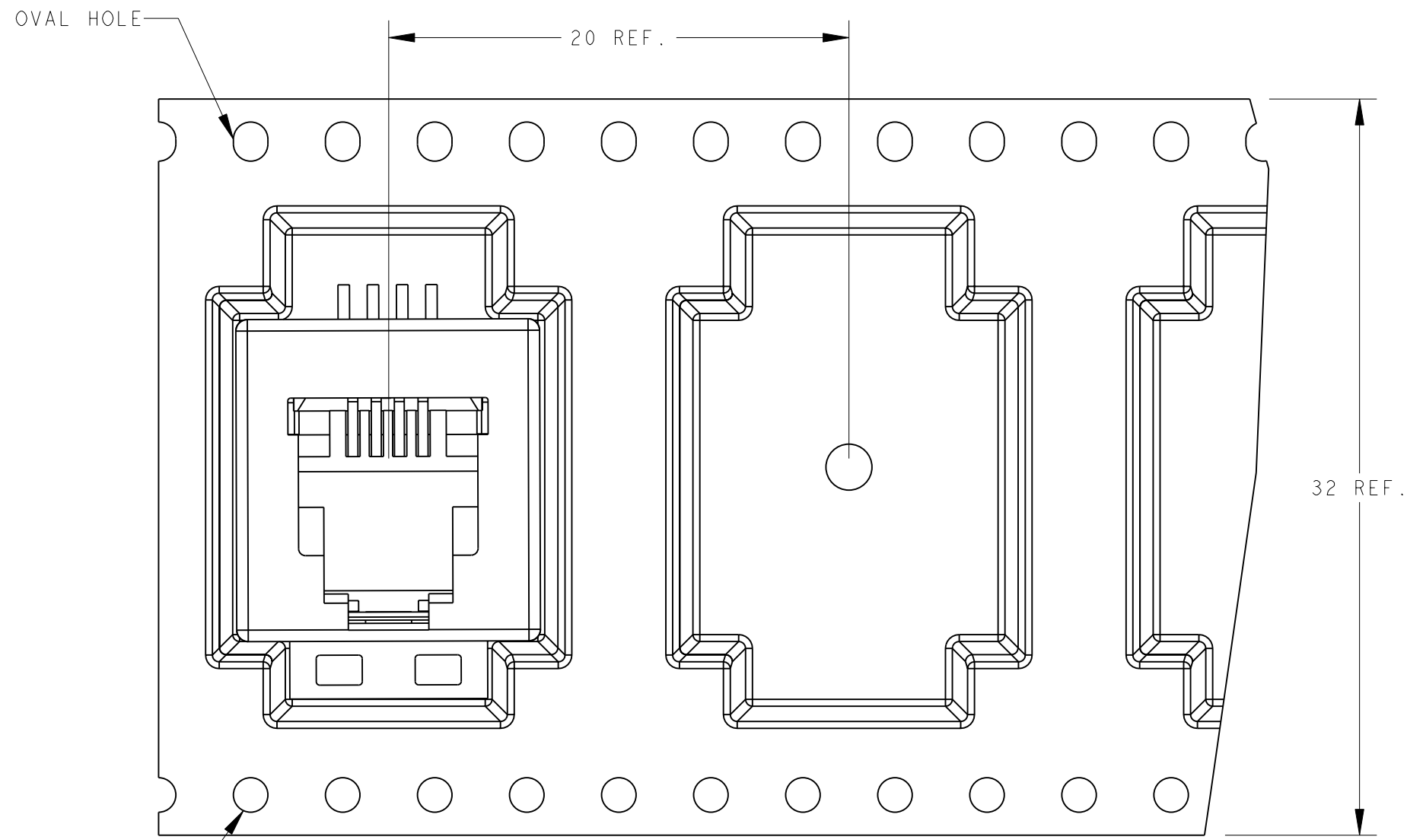
MATERIAL: SEE NOTE 3 -  
 FINISH: SEE NOTE 2 -

PRODUCT SPEC: 108-19117  
 APPLICATION SPEC: 114-19041  
 WEIGHT: 1.92 gr

CUSTOMER DRAWING SCALE: 5:1 SHEET 1 OF 2 REV Y

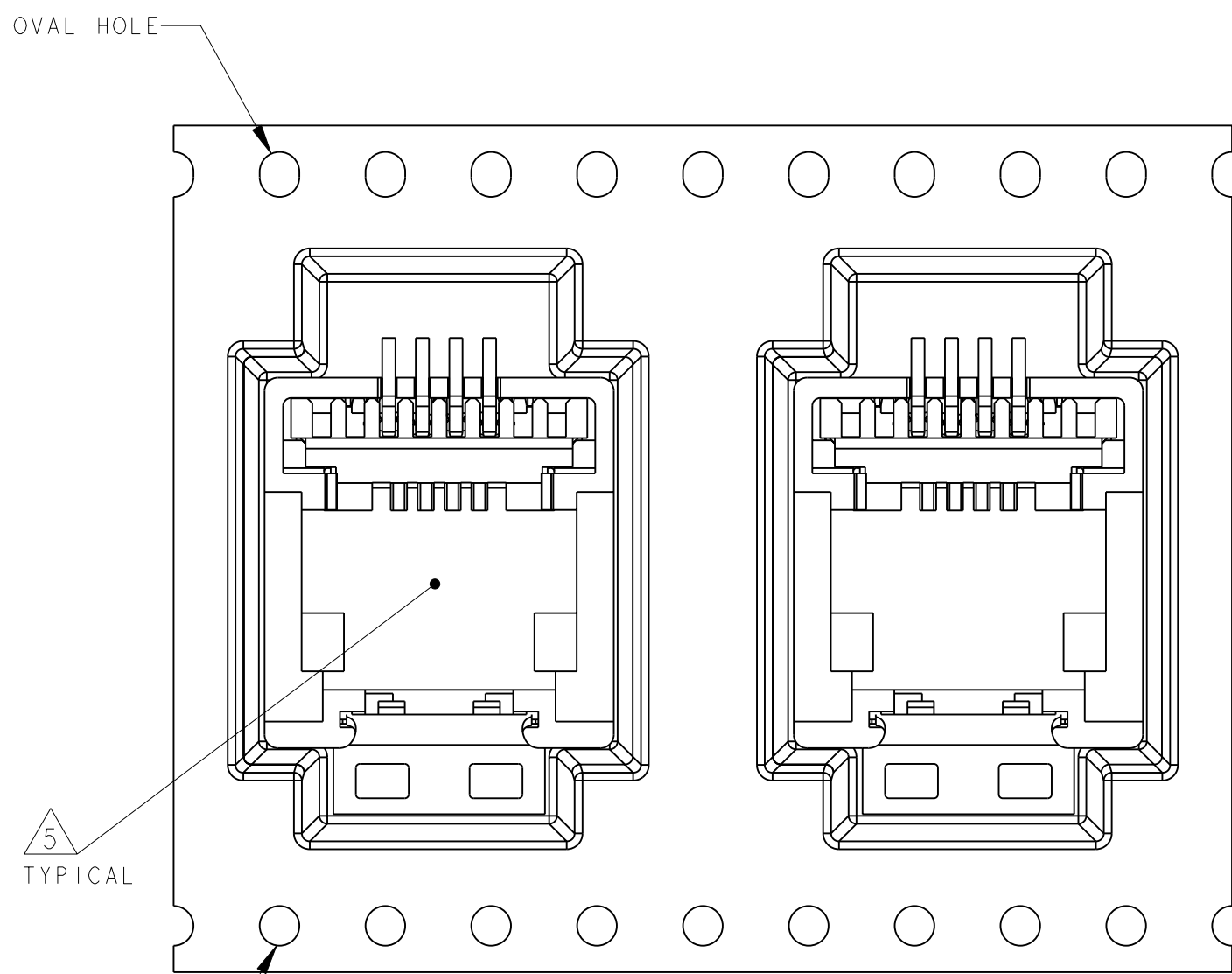
THIS DRAWING IS UNPUBLISHED. RELEASED FOR PUBLICATION 2011  
 © COPYRIGHT 2011 TE CONNECTIVITY ALL RIGHTS RESERVED.

LOC	DIST	REVISIONS			
P	LTR	DESCRIPTION	DATE	DWN	APVD
IR	-	SEE SHEET 1	-	-	-



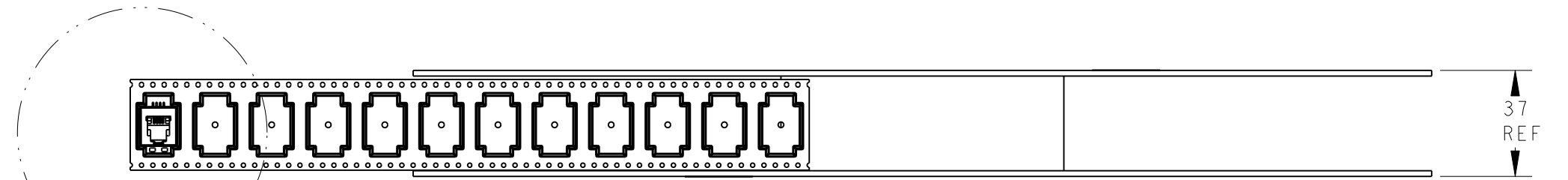
TOP ENTRY ORIENTATION.

DETAIL B1  
SCALE 4:1

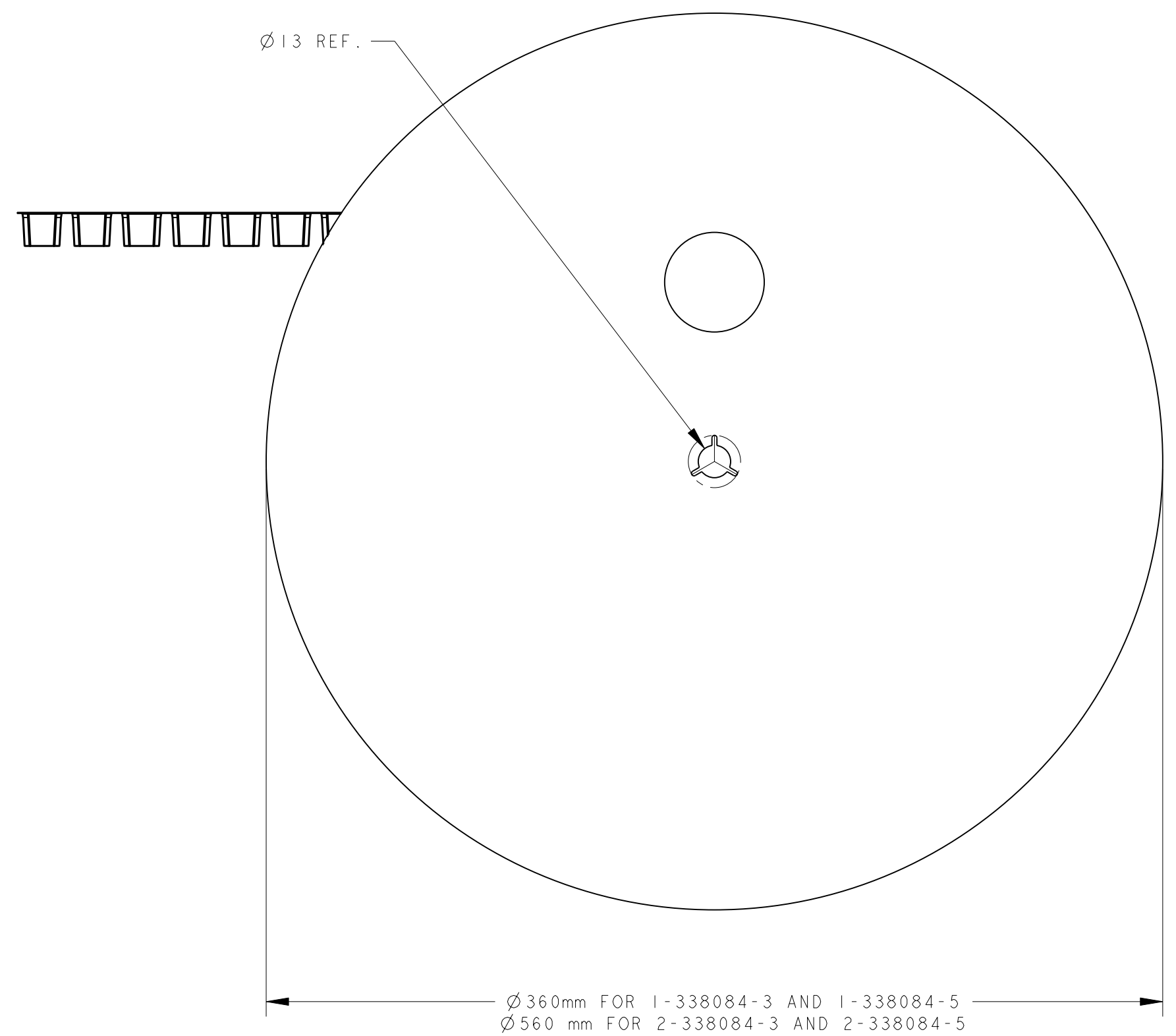


BOTTOM ENTRY ORIENTATION.

DETAIL B2  
SCALE 4:1



SEE DETAIL B1 & B2



Ø 13 REF.  
 Ø 360mm FOR 1-338084-3 AND 1-338084-5  
 Ø 560 mm FOR 2-338084-3 AND 2-338084-5

THIS DRAWING IS A CONTROLLED DOCUMENT.		DWN E.v.ELJK 30-Sep-96	TE Connectivity	
DIMENSIONS: mm		CHK E. STELLINGA DEC. '96		
TOLERANCES UNLESS OTHERWISE SPECIFIED:		APVD R. SMEETS	NAME INVERTIBLE MODULAR JACK, 4 POSITION HANDSET FOR SURFACE MOUNT APPLICATION	
0 PLC ± 1 PLC ± 2 PLC ± 3 PLC ± 4 PLC ±		PRODUCT SPEC 108-19117	SIZE 114-19041	RESTRICTED TO
MATERIAL		APPLICATION SPEC 114-19041	WEIGHT 1.92 gr	CAGE CODE A20779
FINISH		CUSTOMER DRAWING	DRAWING NO C-338084	SCALE 5:1
			SHEET 2	OF 2
			REV Y	