
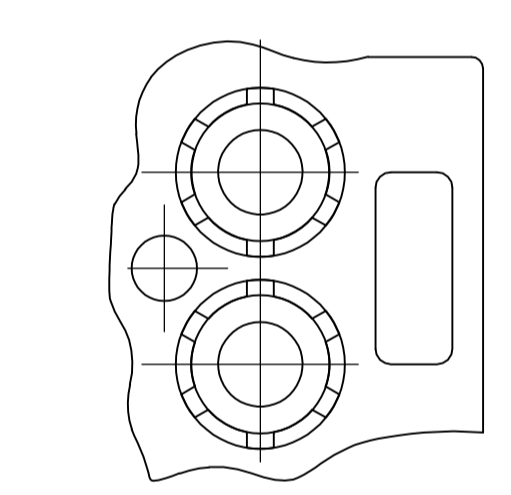
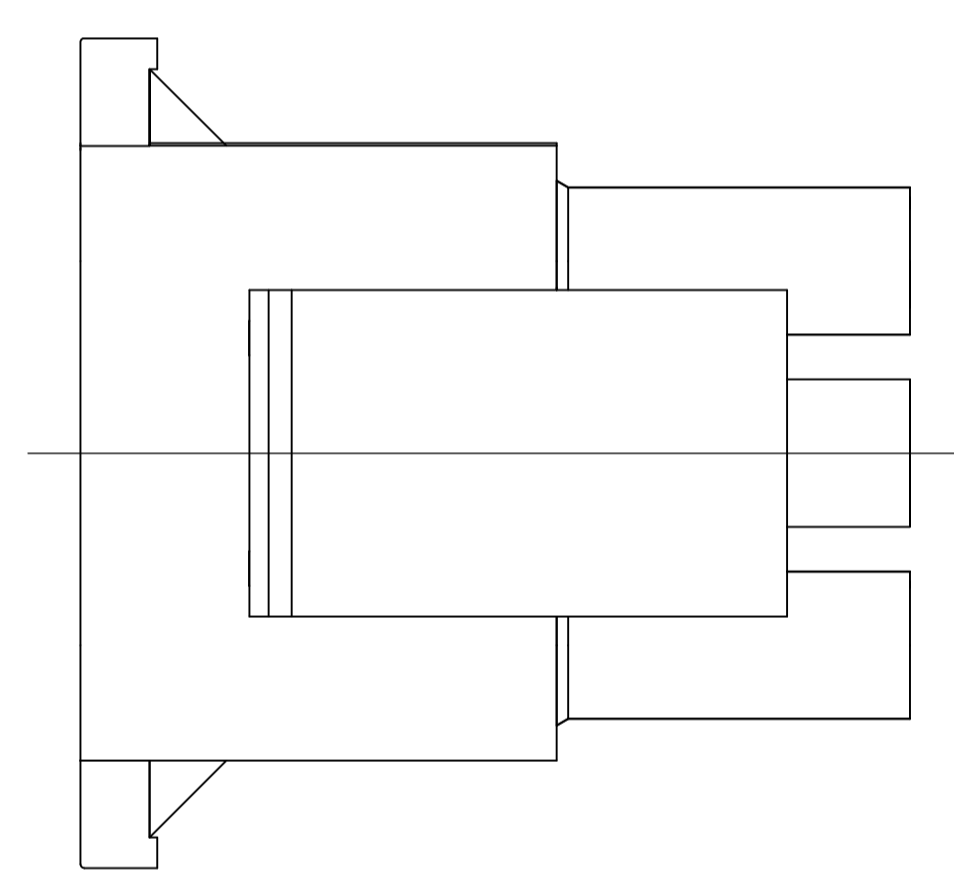
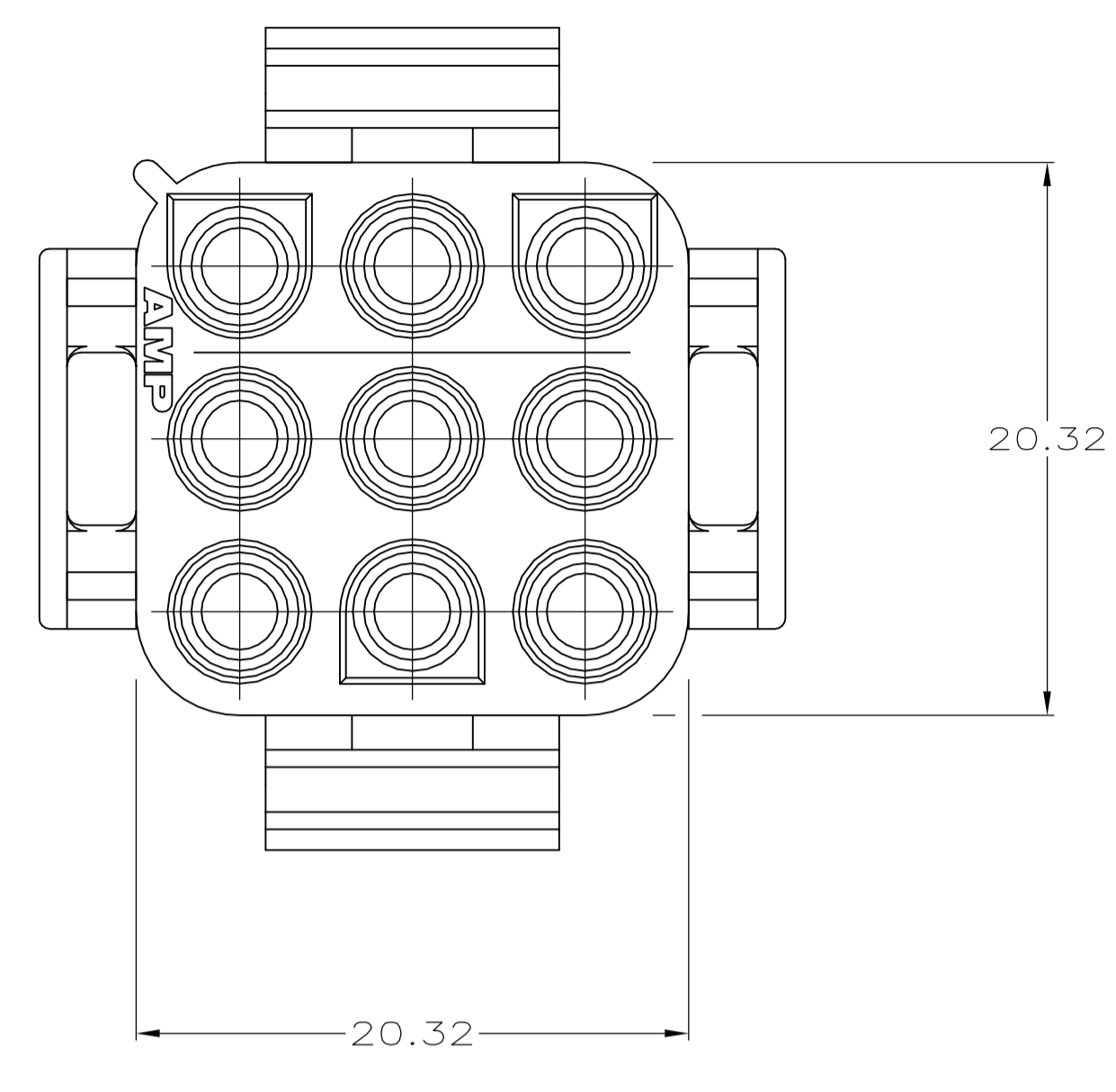
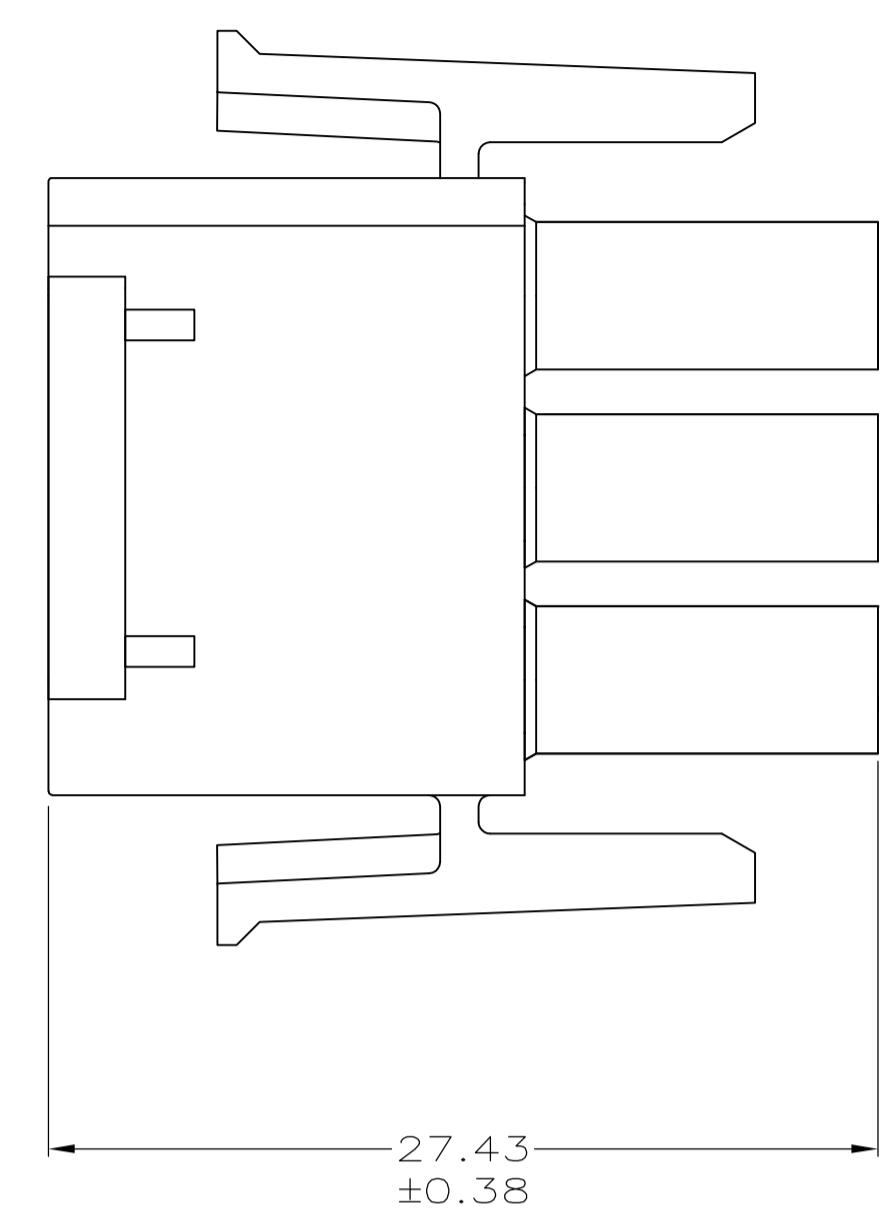
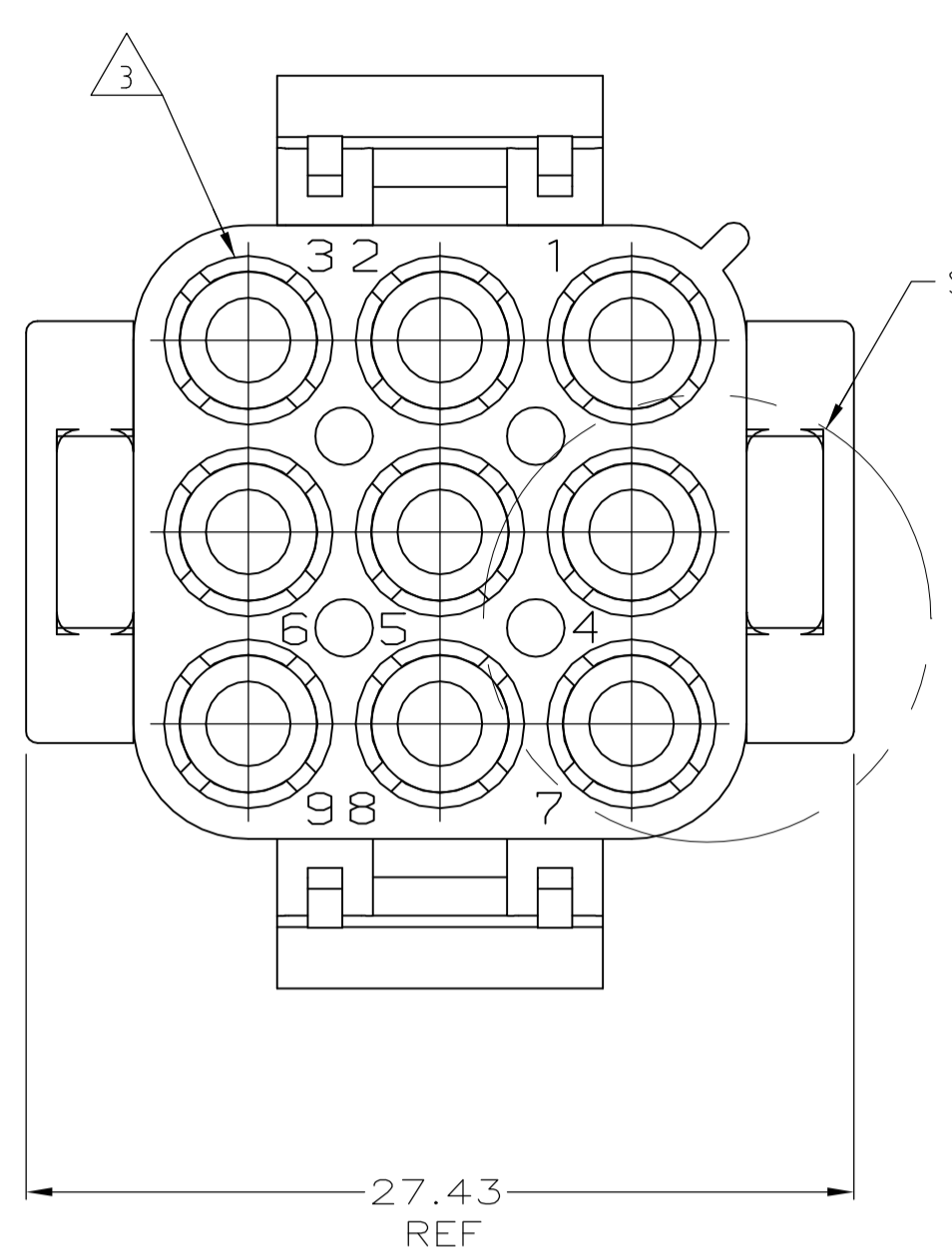


LOC	DIST	REVISIONS			
P	LTR	DESCRIPTION	DATE	DMN	APVD
CM	53	A	REL PER ECO 11-015811	03AUG11	JR TM

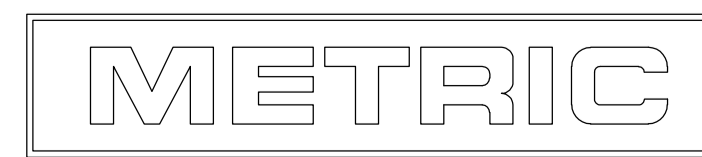
- 1 MATES WITH APPROPRIATE UNIVERSAL MATE-N-LOK™ CAP OR HEADER.
- 2 SMALL NICKS ARE PERMITTED ON THE CIRCUIT TOWERS WHICH COULD INCREASE THE INITIAL HOUSING MATING FORCE BY UP TO 4.4 NEWTON (1.0 LBS). NO INDIVIDUAL NICKED TOWER SHALL INCREASE THIS FORCE BY OVER 2.2 NEWTONS (.5 LBS).
- 3  FOUR RIBS EQUALLY SPACED, NO SPECIFIC ORIENTATION. SIX RIBS EQUALLY SPACED, NO SPECIFIC ORIENTATION, OPTIONAL.
- 4 150° C TEMPERATURE RATING FOR THIS HOUSING IS FOR SHORT TERM DURATION. MAX OPERATING TEMPERATURE REMAINS 125° C.
- 5 PHOSPHOR BRONZE CONTACTS SHOULD ALWAYS BE USED WITH THIS HOUSING.



DETAIL A
OPTIONAL CONSTRUCTIONS

MM	IN
27.43	1.080
20.32	.800
11.68	.460
0.38	.015
0.13	.005

CONVERSION TABLE



THIS DRAWING IS A CONTROLLED DOCUMENT.		DWG: JR_RUTH 27SEPT10	REV: 1
DIMENSIONS: mm		CHK: TOM_MICHELUTTI 27SEPT10	NAME: TOM_MICHELUTTI
TOLERANCES UNLESS OTHERWISE SPECIFIED:		APP'D: TOM_MICHELUTTI 27SEPT10	PRODUCT SPEC: ---
0. PLC ± -	1. PLC ± -	APPLICATION SPEC: ---	SIZE: A1
2. PLC ± 0.13	3. PLC ± -	WEIGHT: ---	CAGE CODE: ---
4. PLC ± -	ANGLES ± 0° 30'	FINISH: ---	DRAWING NO: 00779
MATERIAL: NYLON, UL 94V-2	FINISH: ---	RESTRICTED TO: ---	DRAWING NO: 2029314
CUSTOMER DRAWING		SCALE: 4:1	SHEET 1 OF 1 REV A

RED	2029314-1
COLOR	PART NUMBER



PLUG,
9 CIRCUIT,
UNIVERSAL MATE-N-LOK™